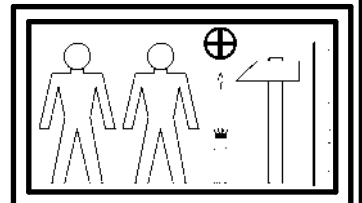
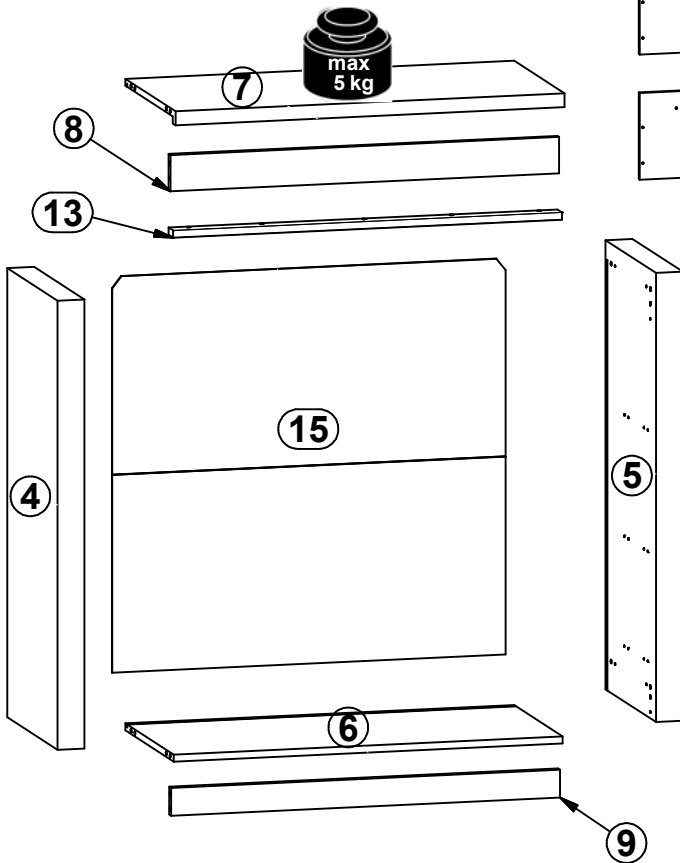
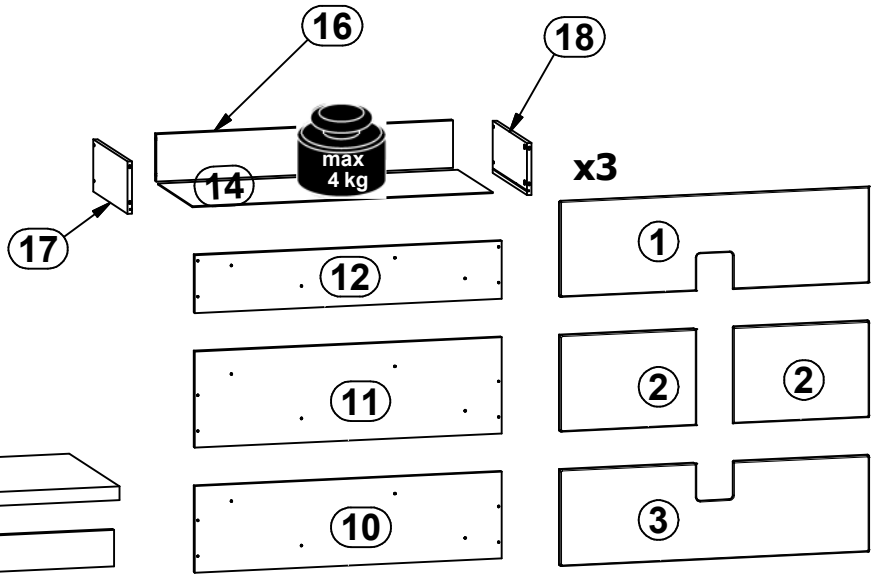
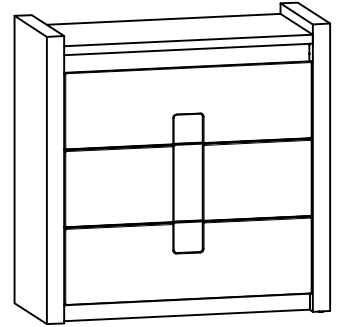
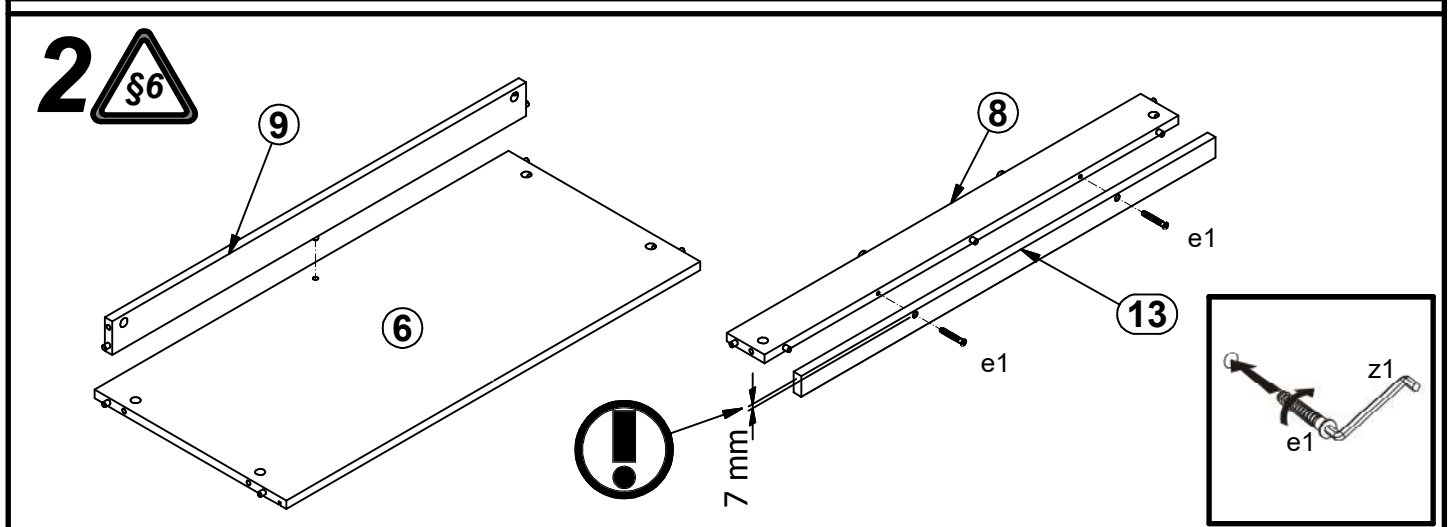
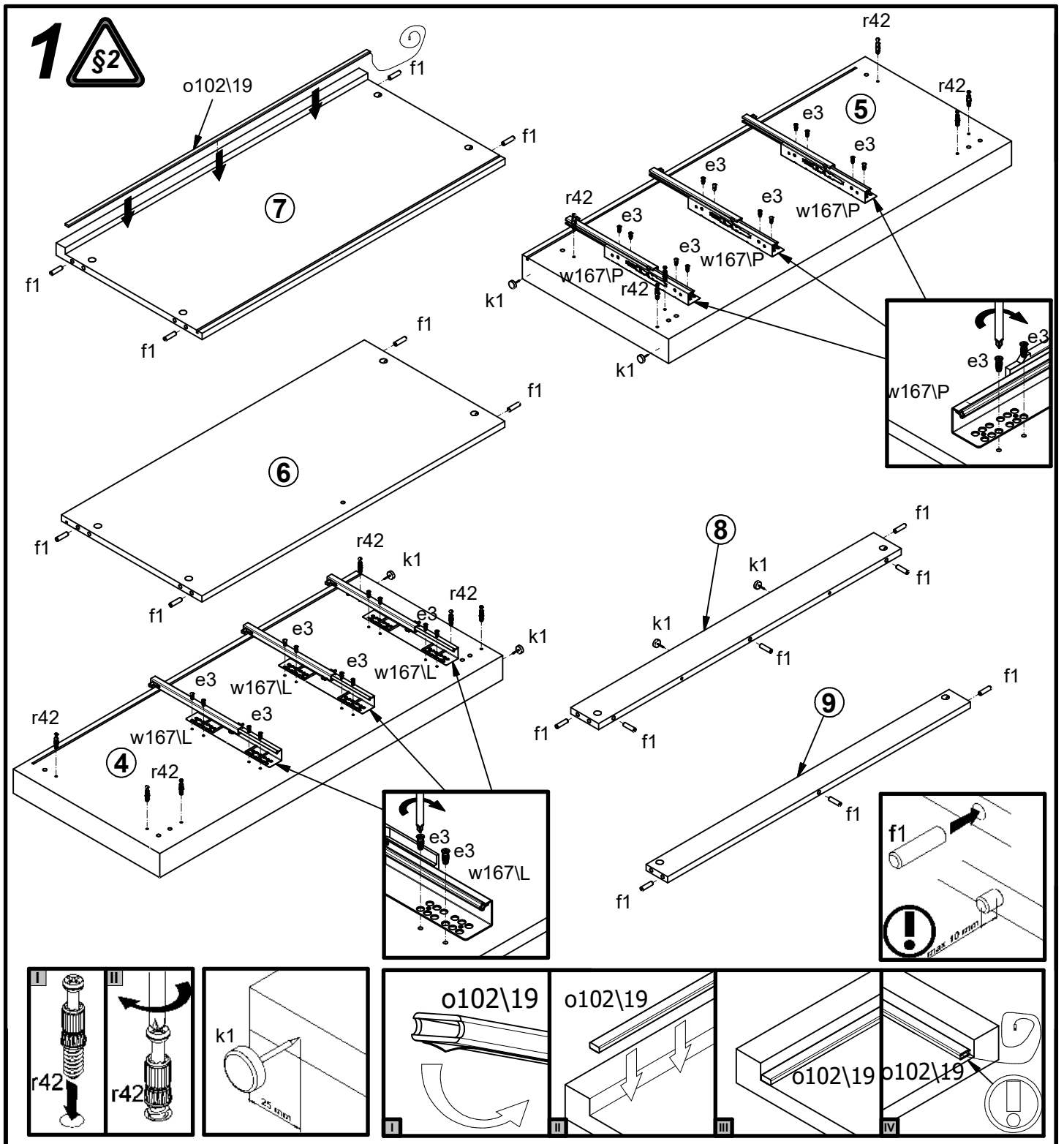


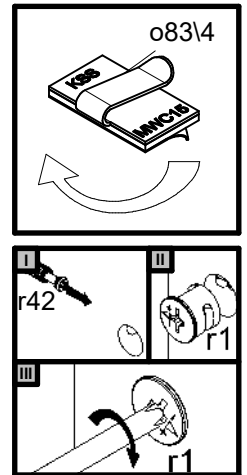
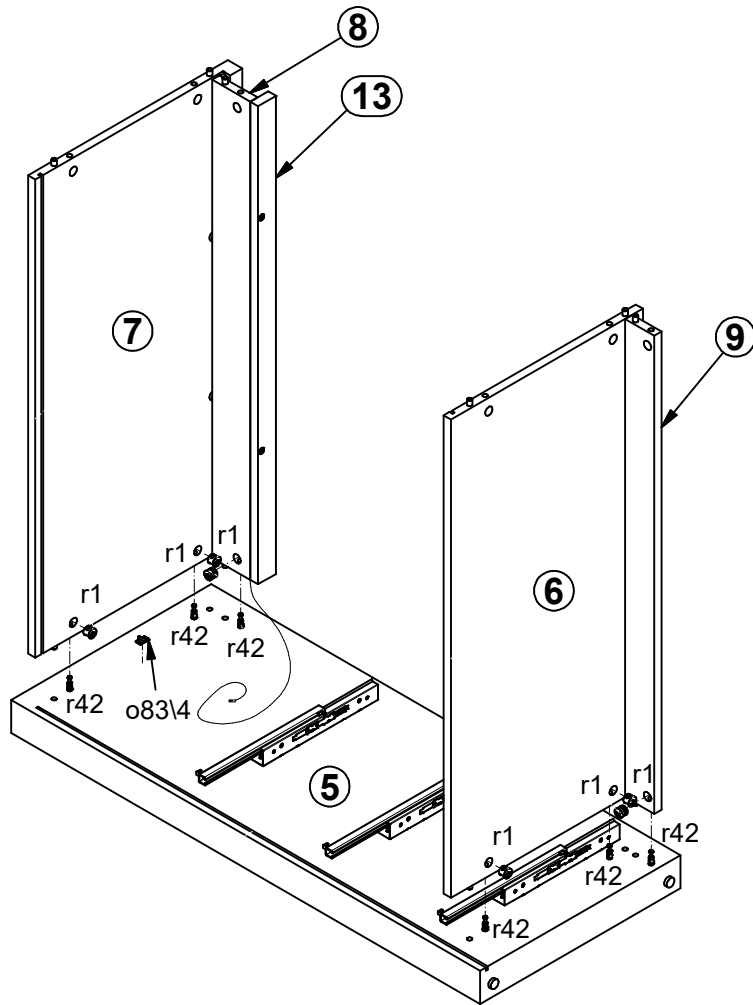
| A | B | C | D | |
|----|-----------|-----|-----|-----|
| 1 | S420-0014 | 846 | 258 | 2/2 |
| 2 | S420-0016 | 373 | 258 | 2/2 |
| 3 | S420-0017 | 846 | 258 | 2/2 |
| 4 | S420-1014 | 965 | 412 | 1/2 |
| 5 | S420-1015 | 965 | 412 | 1/2 |
| 6 | S420-3014 | 852 | 395 | 1/2 |
| 7 | S420-3015 | 852 | 411 | 1/2 |
| 8 | S420-4022 | 852 | 78 | 1/2 |
| 9 | S420-4024 | 852 | 60 | 1/2 |
| 10 | S420-4025 | 840 | 233 | 2/2 |
| 11 | S420-4026 | 840 | 258 | 2/2 |
| 12 | S420-4027 | 840 | 156 | 2/2 |
| 13 | S420-5001 | 852 | 37 | 1/2 |
| 14 | S420-9010 | 822 | 355 | 2/2 |
| 15 | S420-9303 | 862 | 851 | 1/2 |
| 16 | ZQ6-5027 | 812 | 127 | 2/2 |
| 17 | ZQ6-511 | 350 | 140 | 2/2 |
| 18 | ZQ6-512 | 350 | 140 | 2/2 |



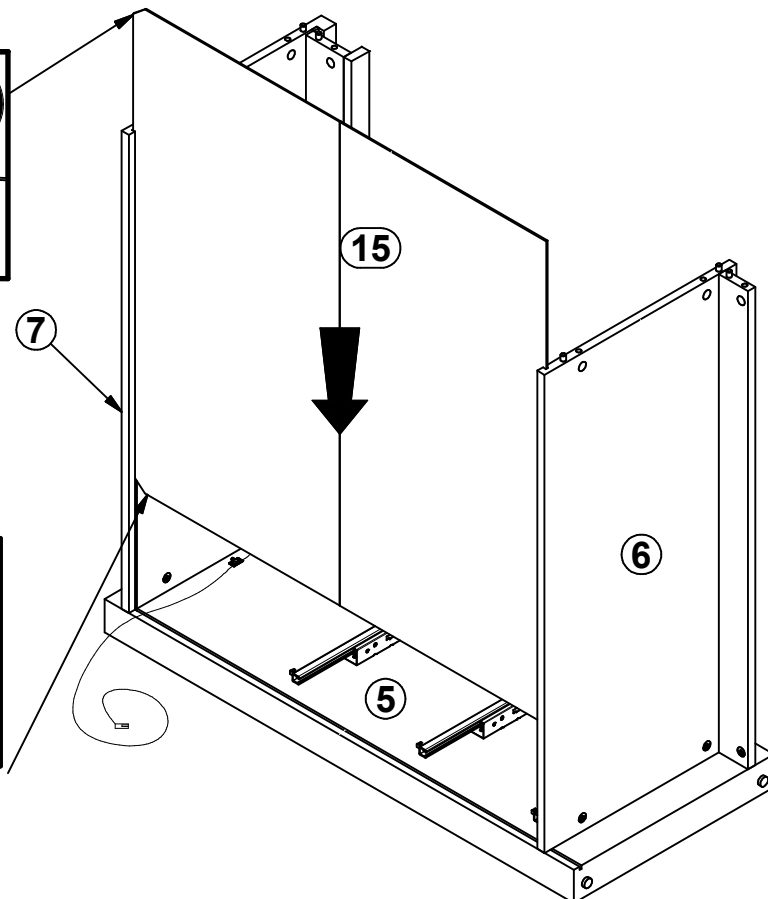
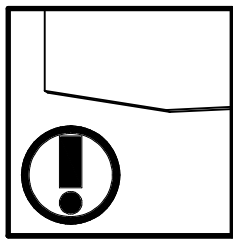
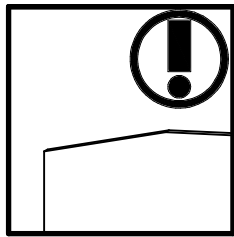
| | | | | | | | | |
|-----------------------|-------------------------|-------------------------|--------------------------|-------------------------|----------------------------|-------------------------------|-------------------------|---------------------------|
| 2x Ø7x50 mm e1 | 24x Ø6x13 mm e3 | 16x Ø8x30 mm f1 | 12x Ø6.5x40 mm f25 | 6x k1 | 8x l2 | 1x Ø70/9 | 1x 10x18 mm Ø83/4 | 1x L=848 mm Ø102/19 |
| 12x Ø4x25 mm p8 | 3x Ø3.5x16 mm p25 | 3x Ø3.5x10 mm p35 | 12x Ø3.5x16 mm p38 | 6x Ø2.9x16 mm p55 | 12x Ø15x12 mm #16 r1 | 12x Ø12x10.5 mm #12 r15 | 24x 20/11 r42 | 3x 350 mm t35 |
| 3x 350mm w167/P | 3x 350mm w167/L | 2x s1 | 1x 4 mm z1 | | | | | |
| | | | | | | | 1x n26 | 1x Ø3.5x16 mm p38 |



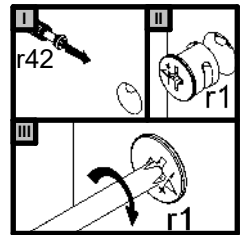
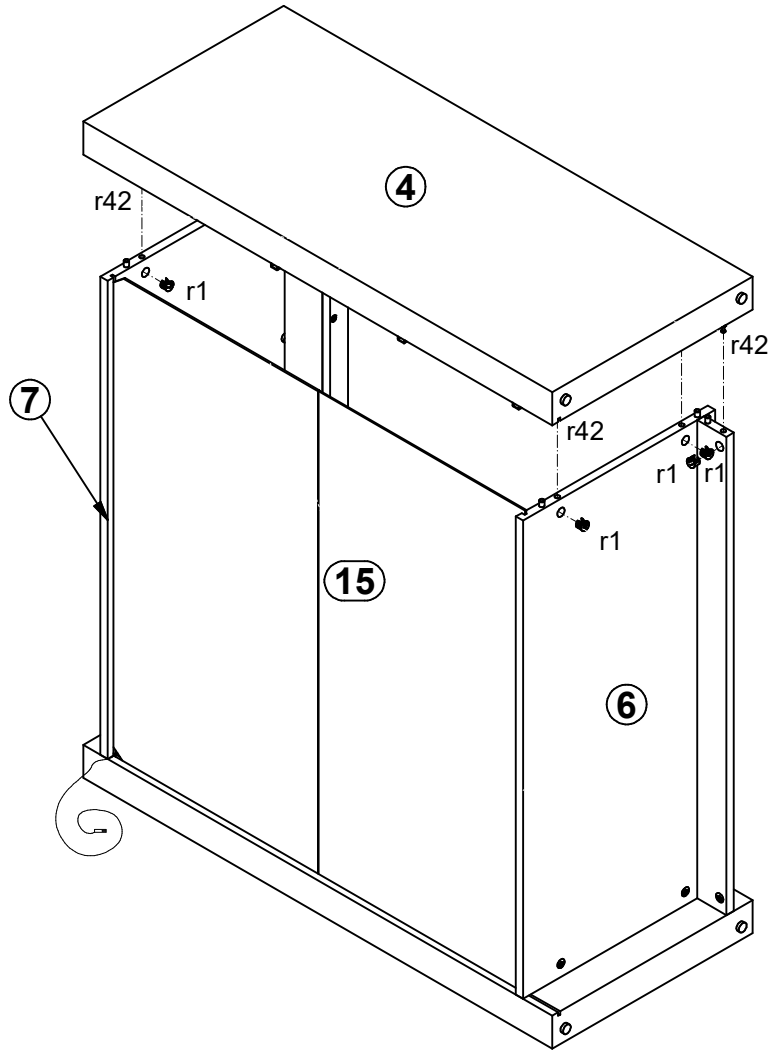
3



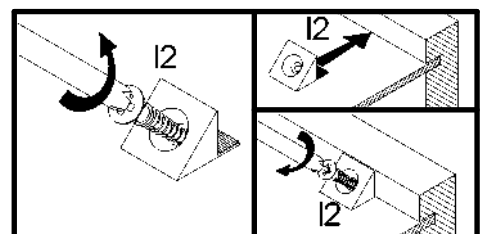
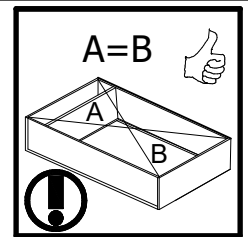
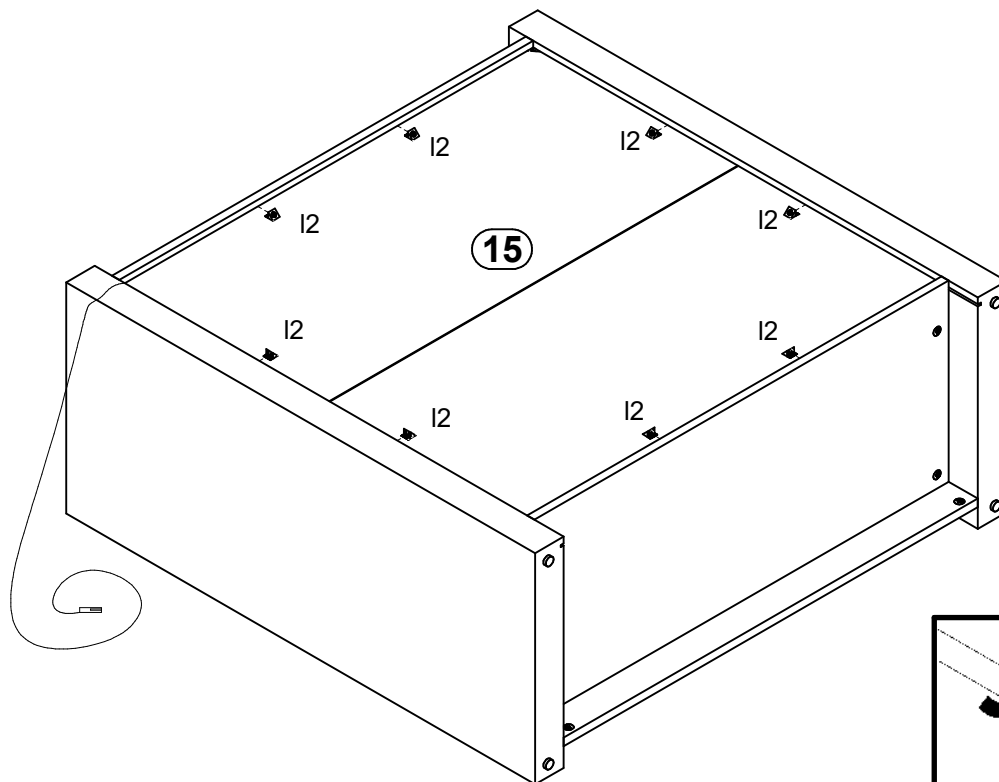
4

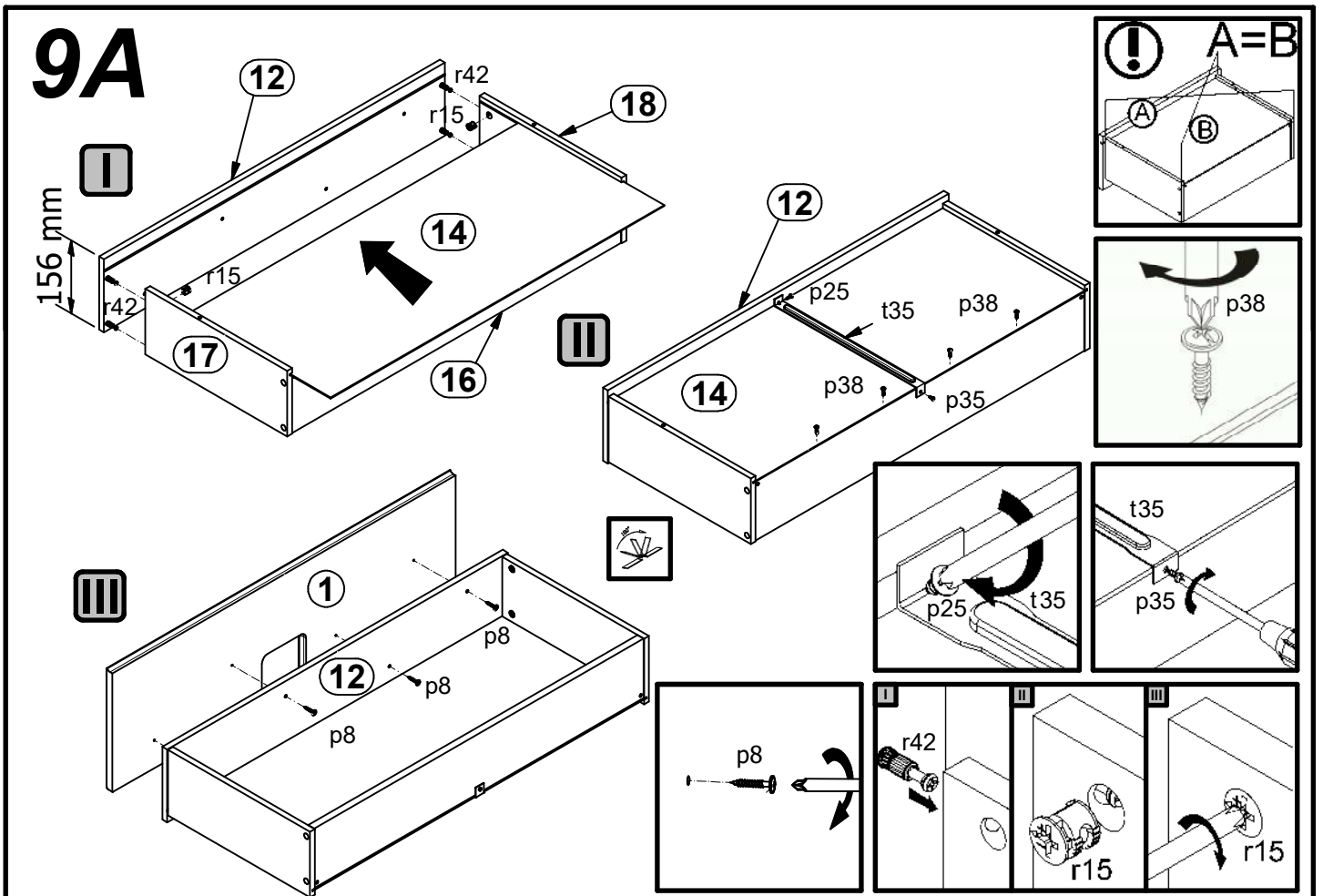
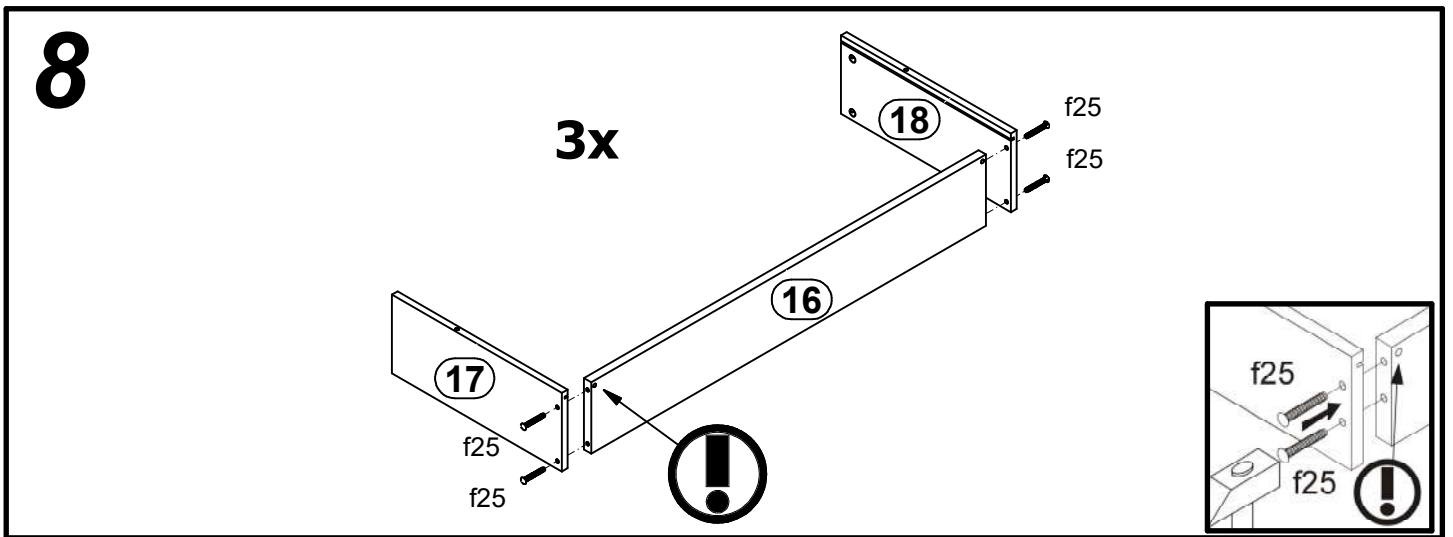
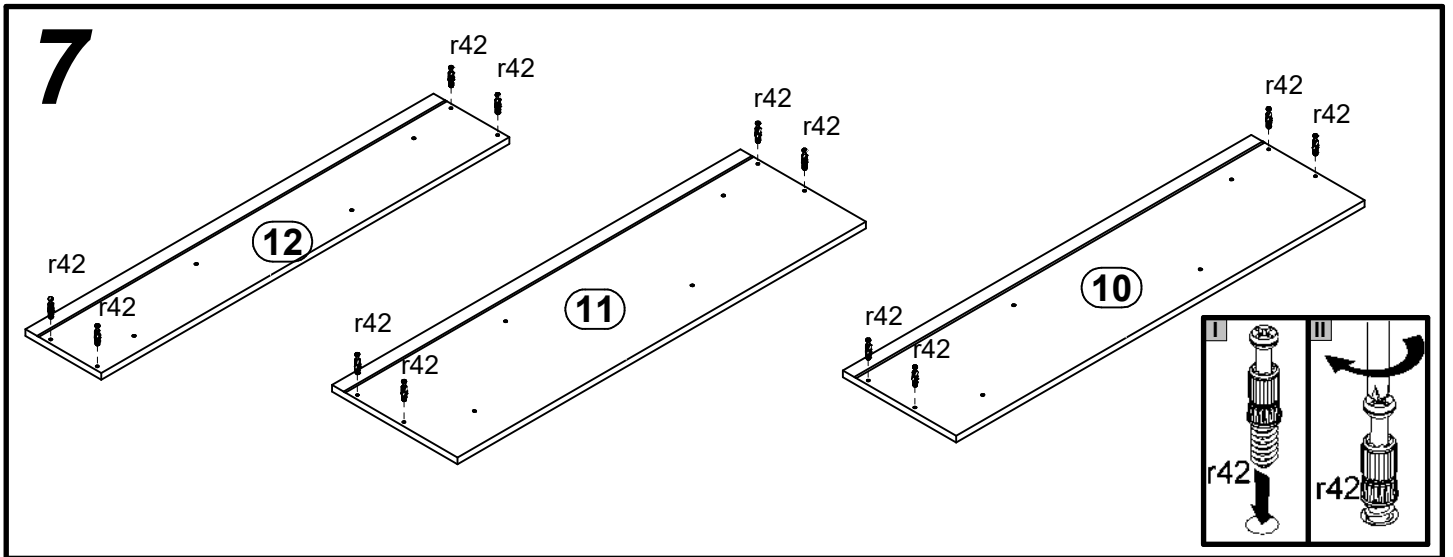


5

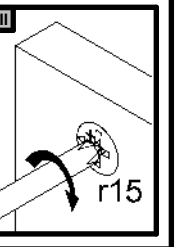
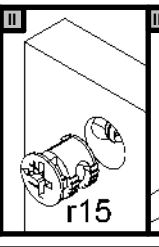
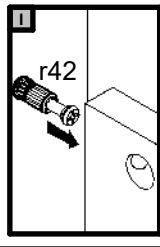
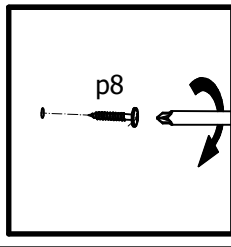
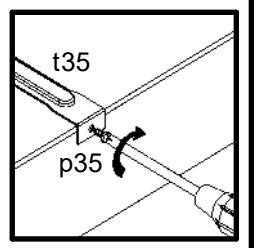
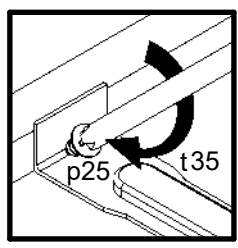
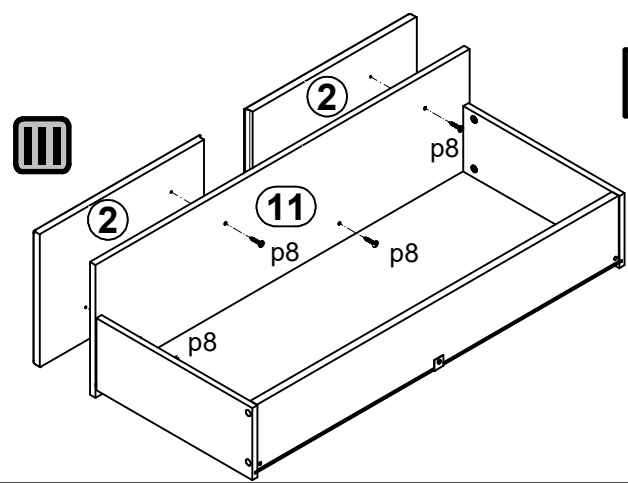
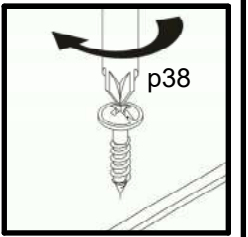
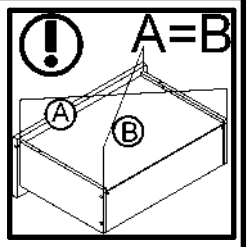
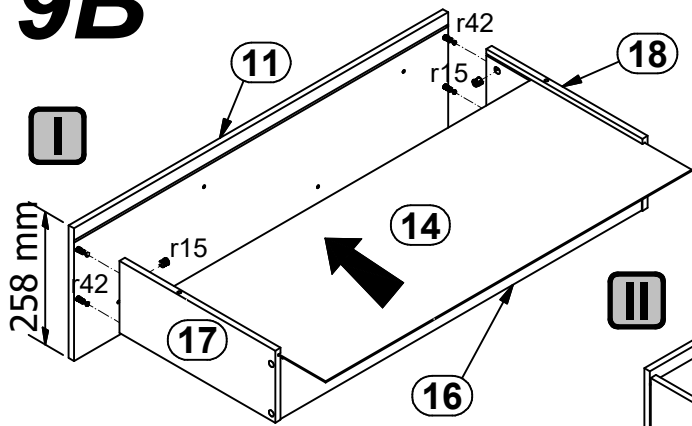


6

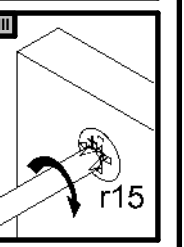
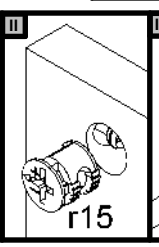
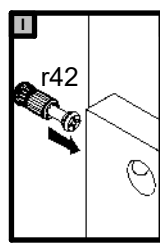
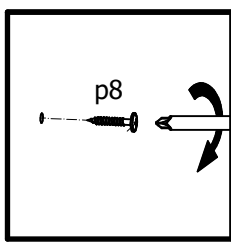
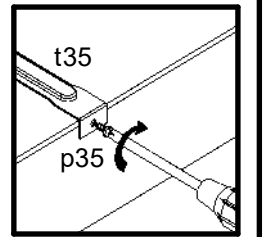
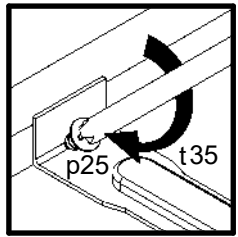
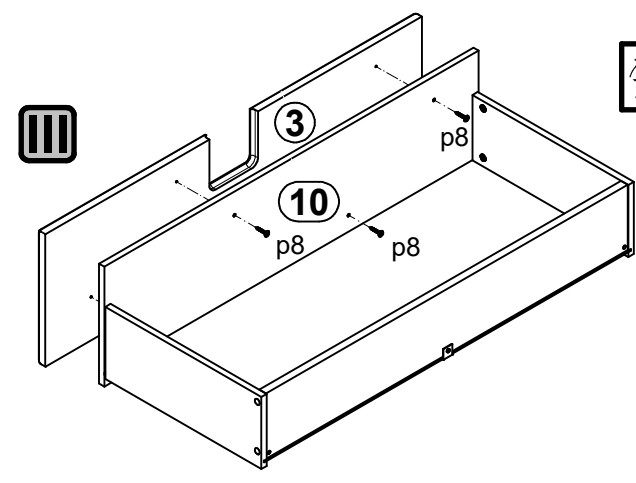
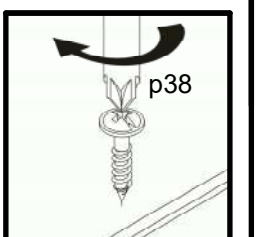
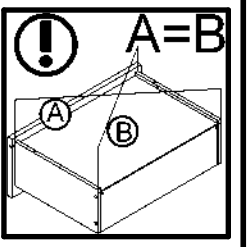
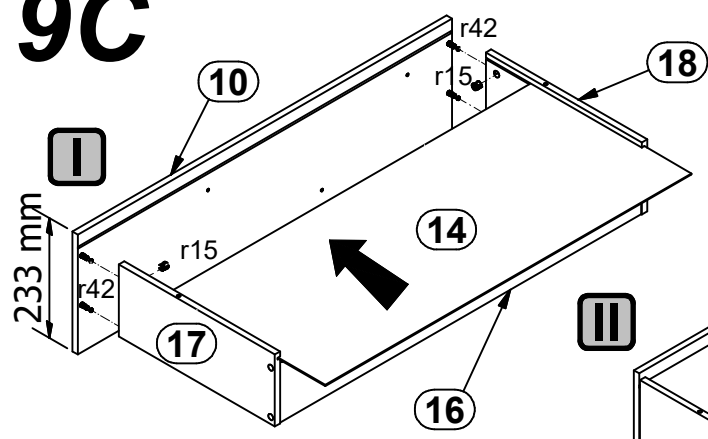




9B



9C



10

