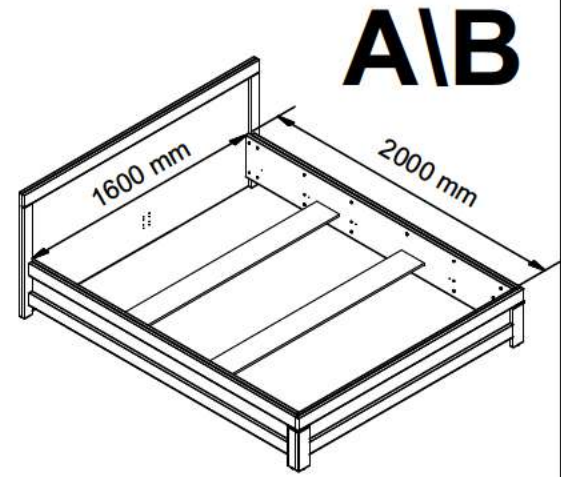
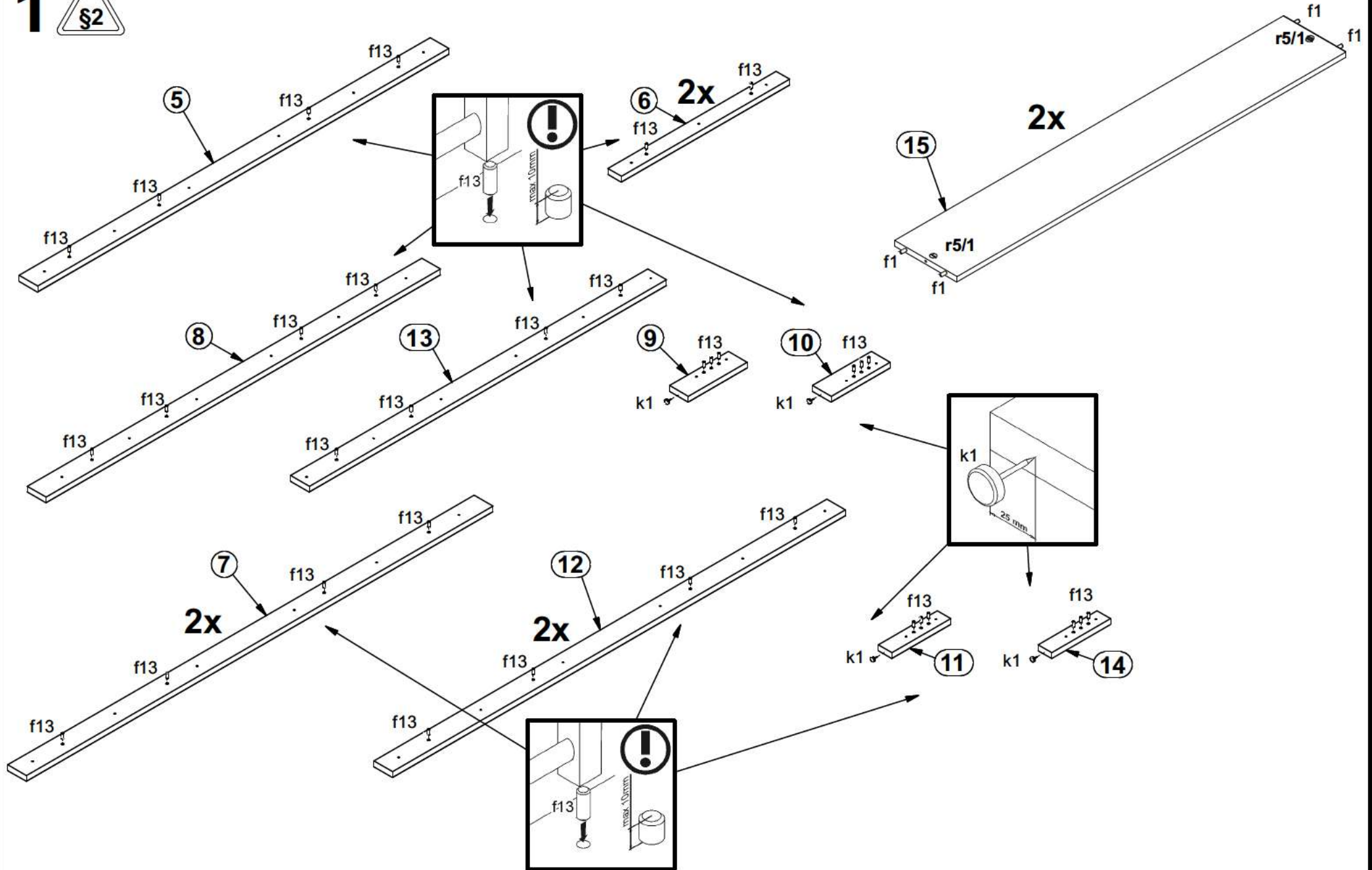


A	B	C (mm)		D
1	S228 1136	2000	272	1/2
2	S228 1141	2000	272	1/2
3	S228 4415	800	1760	2/2
4	S228 4416	1644	272	2/2
5	S228N 5562	1760	80	2/2
6	S228N 5563	720	58	2/2
7	S228N 5564	1994	80	1/2
8	S228N 5565	1688	80	1/2
9	S228N 5566	252	80	2/2
10	S228N 5567	252	80	2/2
11	S228N 5568	252	58	2/2
12	S228N 5569	1936	80	1/2
13	S228N 5570	1528	80	1/2
14	S228N 5578	252	58	2/2
15	S228 4430	1600	170	2/2

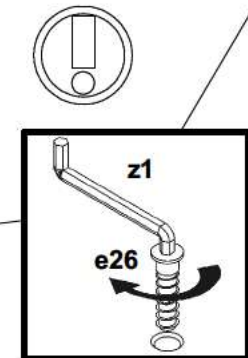
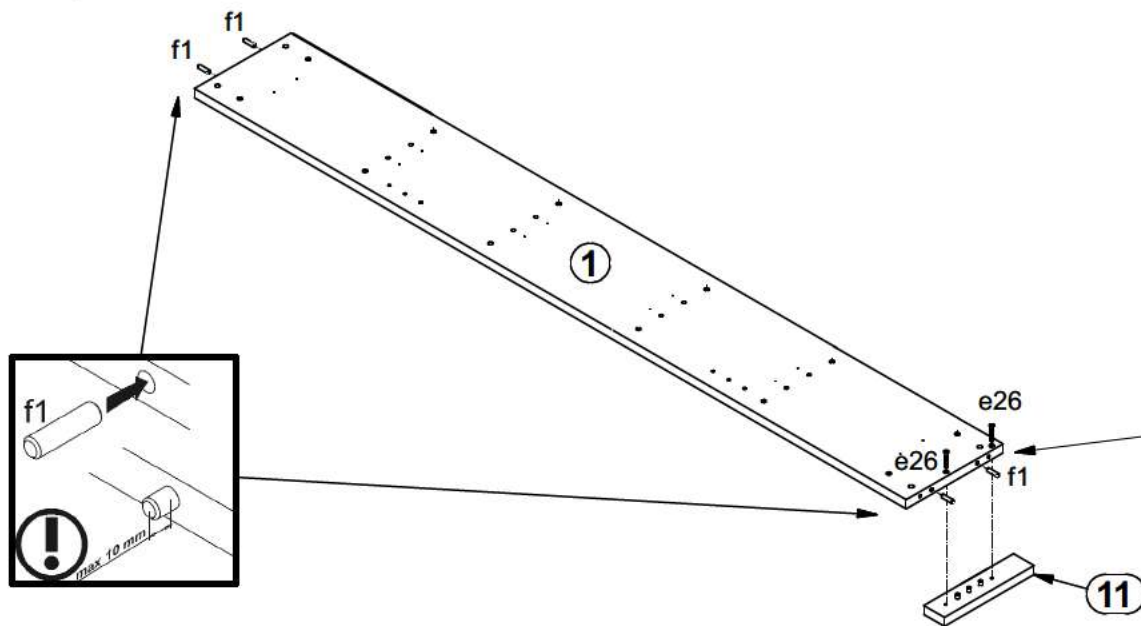
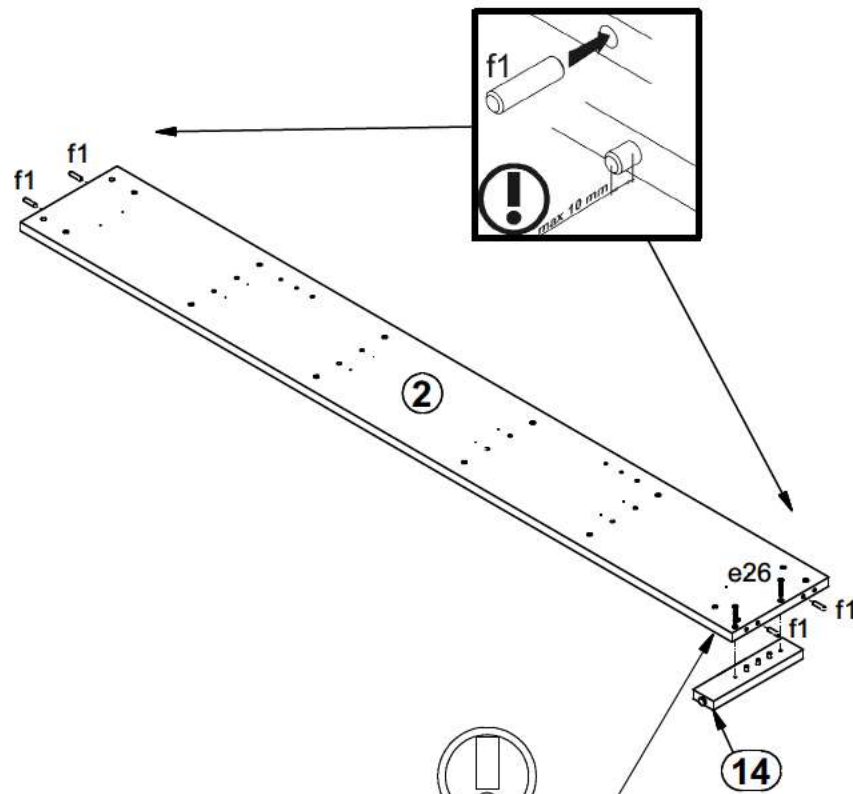
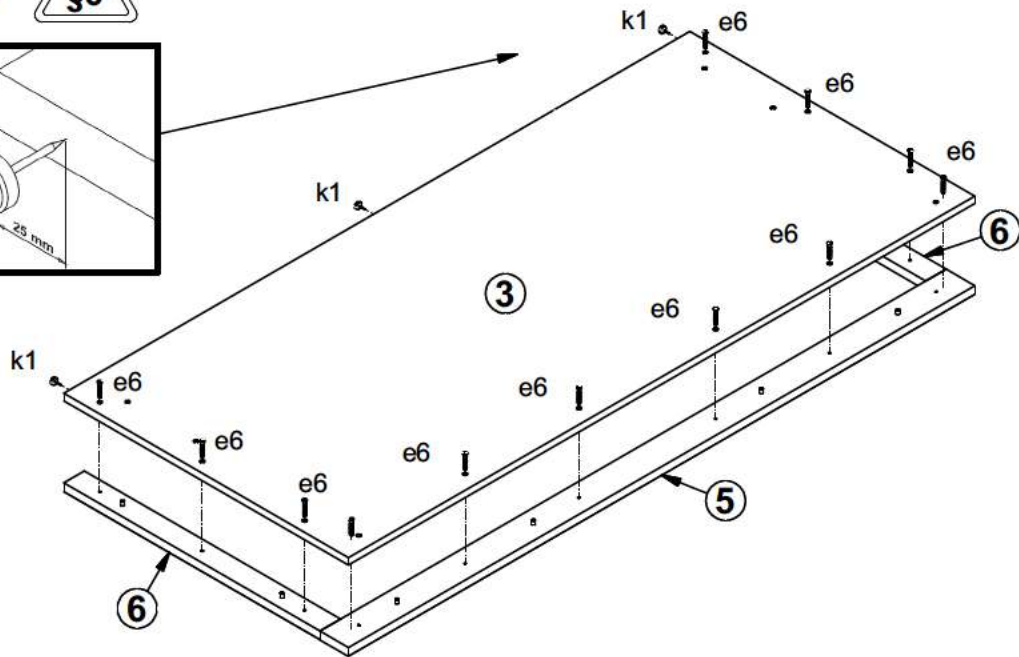
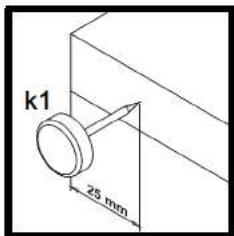
4x UB 5x20 mm p79	28x UB x35 mm e26	16x UB x30 mm f1	44x UB x20 mm f13	cm 0 1 2 3 4 5 6 7 8 9 10
7x k1	8x M6x50 mm r5l2	12x UB 0x16 mm r43	2x k101	
1x z1	4x r5'	28x φ7x30 mm e6		



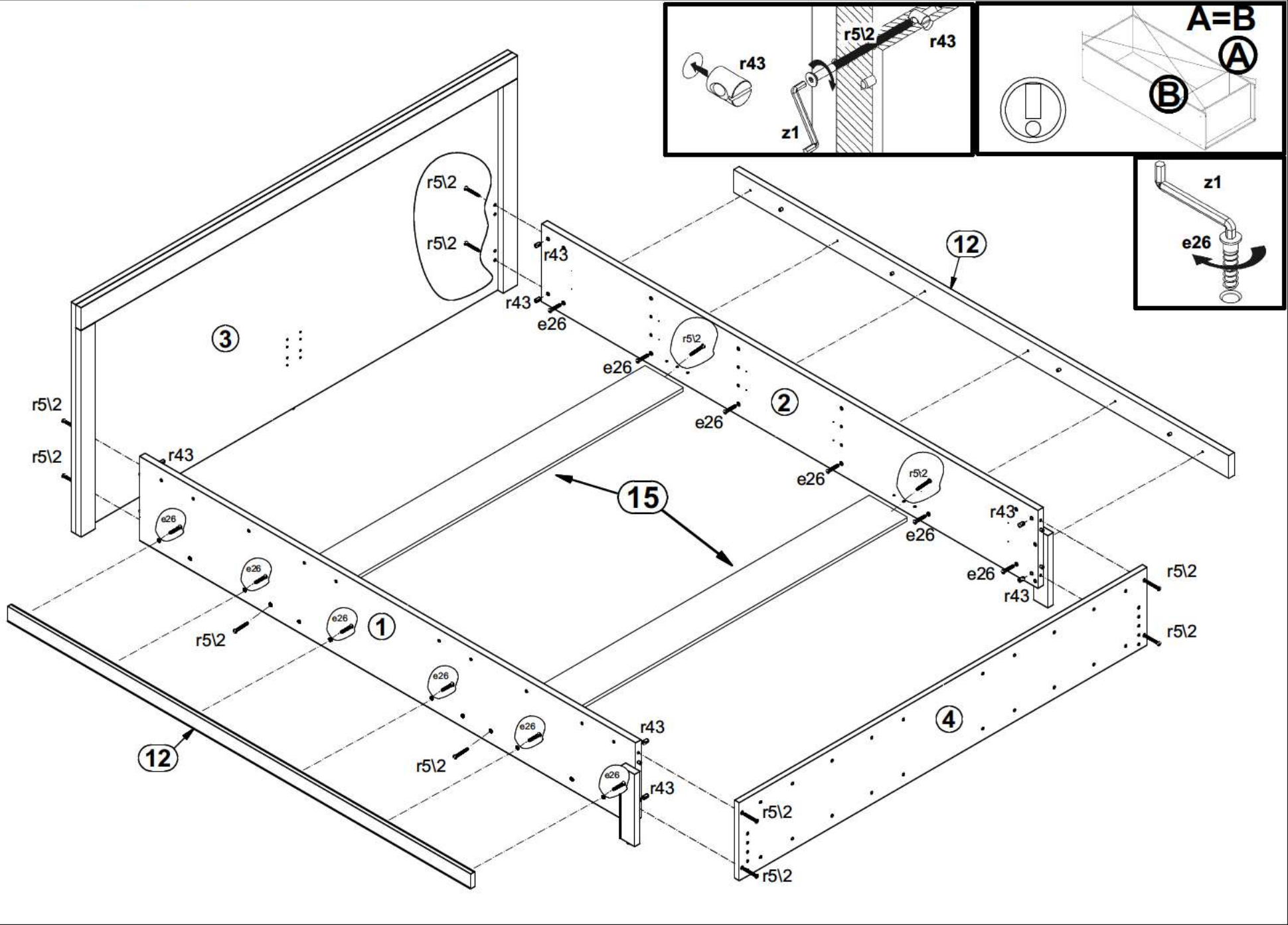
1 §2

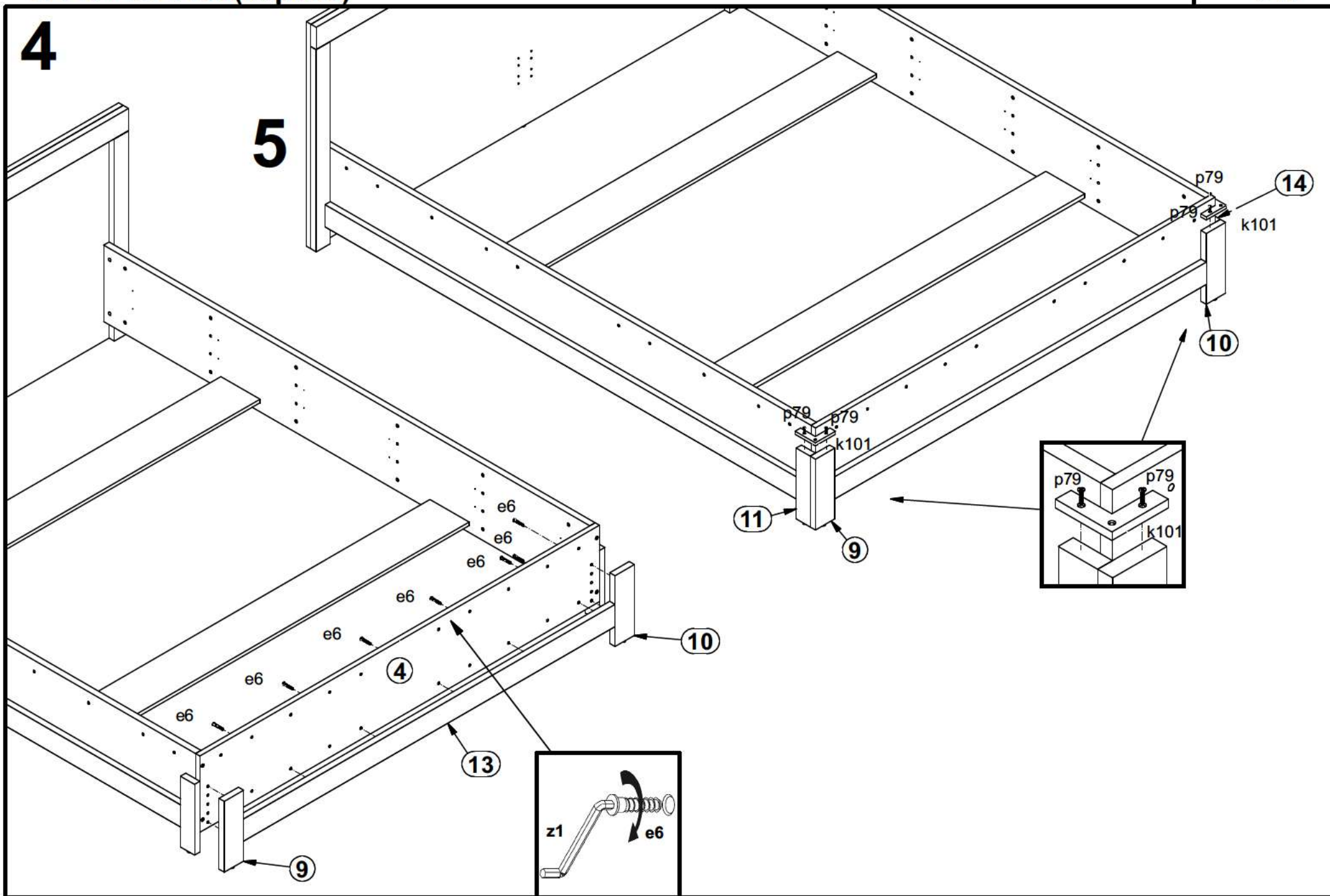


2

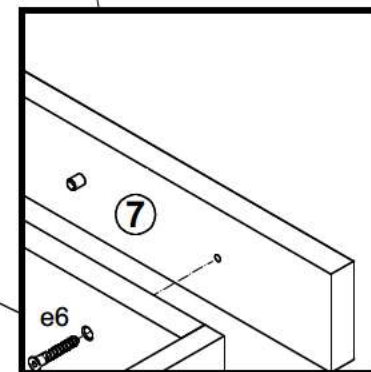
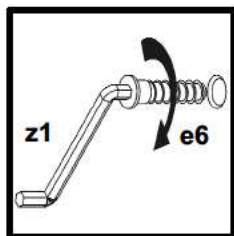
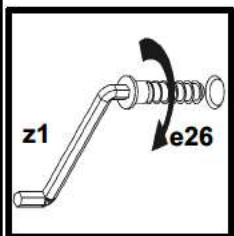
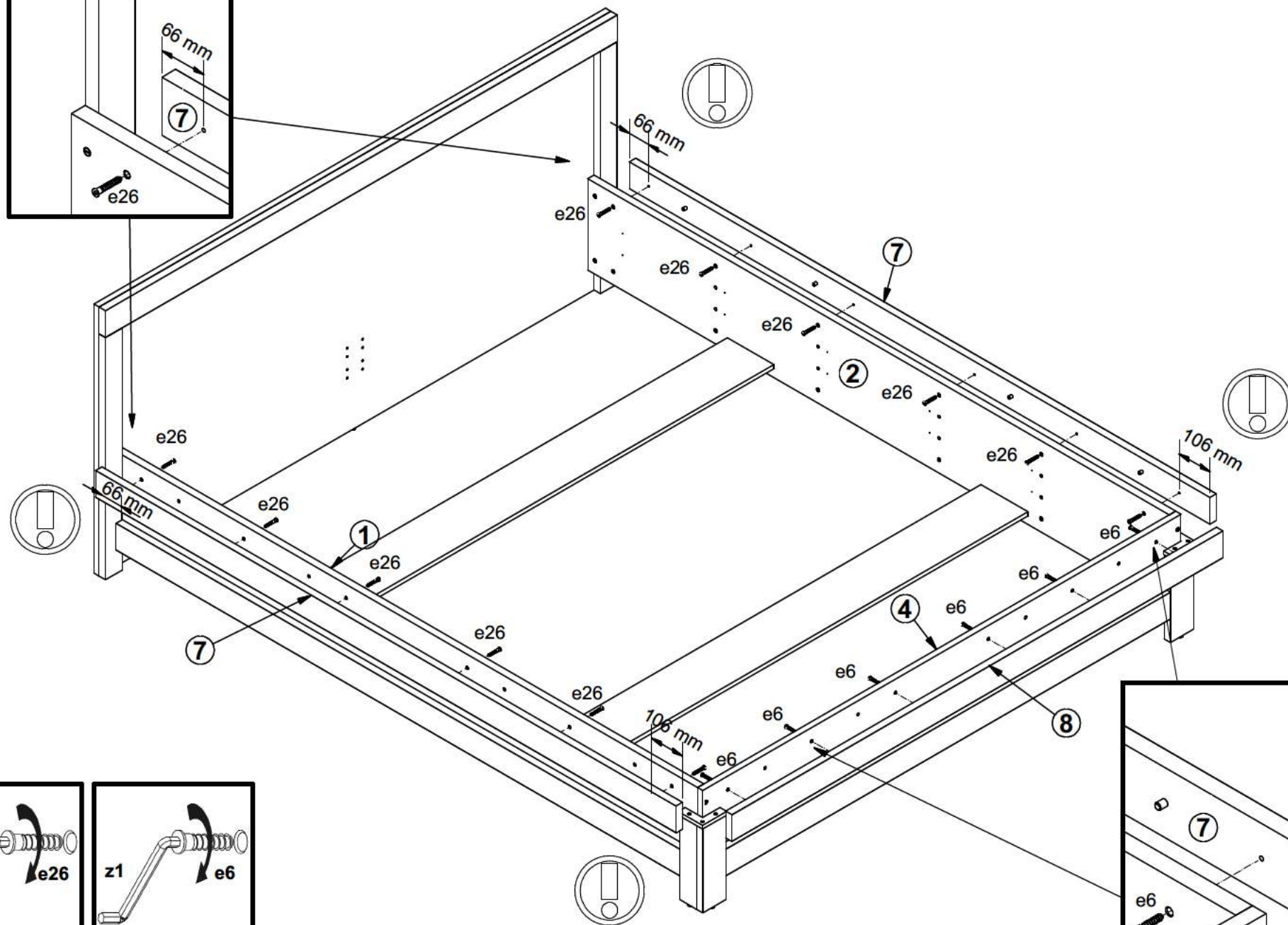
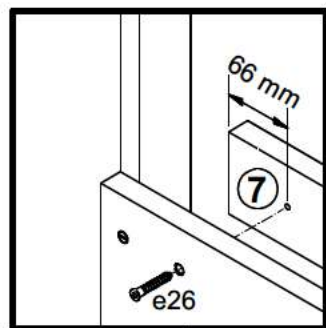


3





6



8

