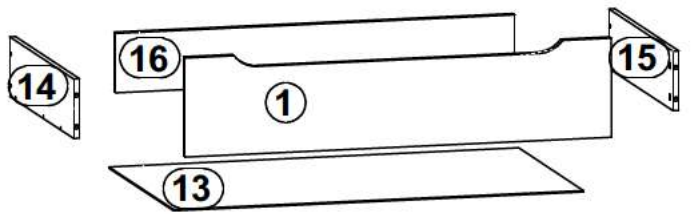
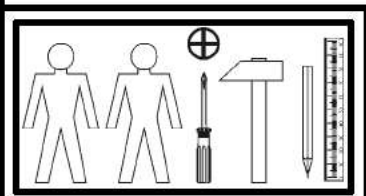
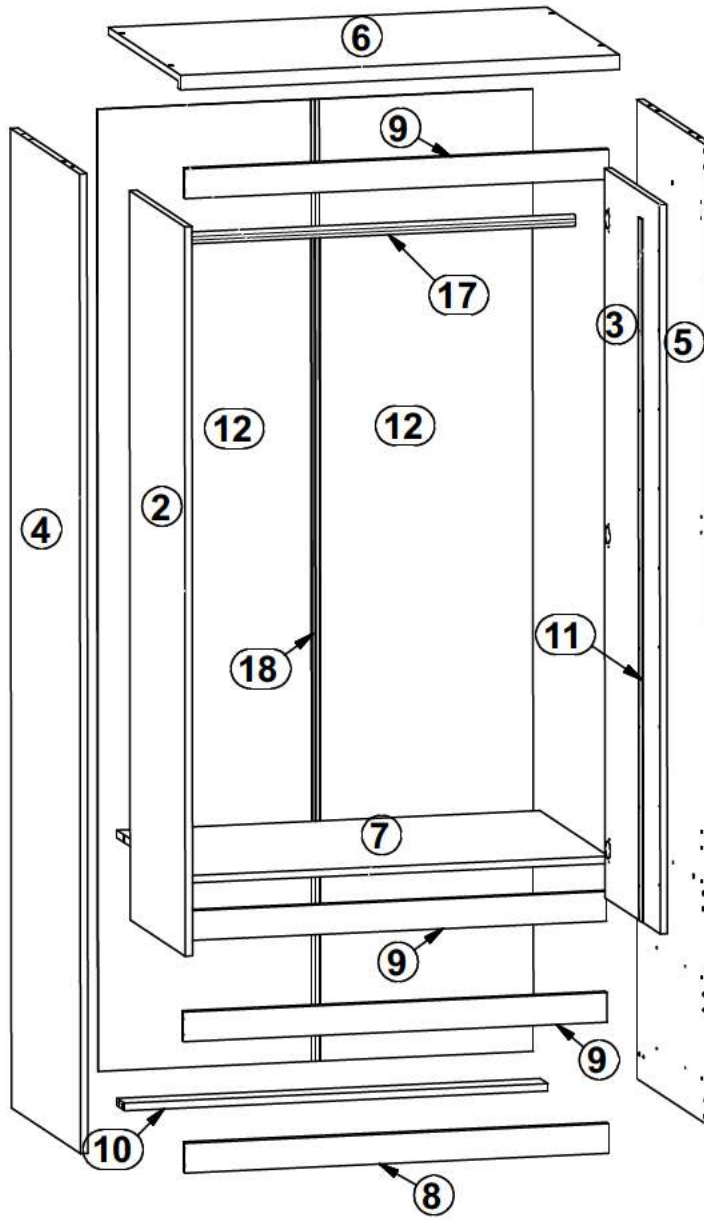
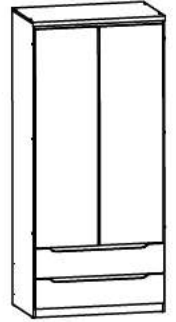


A	B	C	D	
1	S162 0004A	874	200	3/3
2	S162 0005	1472	430	3/3
3	S162 0013	1472	430	3/3
4	S162 1105	1977	540	1/3
5	S162 1106	1977	540	1/3
6	S162 2202	902	566	2/3
7	S162 3303	868	540	2/3
8	S162 4401	868	60	2/3
9	S162 4403	868	60	2/3
10	S162 4407	868	60	2/3
11	S162 503	1419	29	1/3
12	S162 9905	1942	446	1/3
13	S162 9972	833	505	2/3
14	BB 509	500	120	2/3
15	BB 510	500	120	2/3
16	ZB 5519	811	120	2/3
17	dr 862	862	22	2/3
18	Lh 1912	1912	14	1/3



6x a68	6x b19	4x φ7x50 mm e1	12x φ5x9 mm e19	12x φ6,3x13 mm e2	12x φ6x13 mm e3	24x φ8x30 mm f1	8x φ6,5x40 mm f25	4x k1
70x l1	2x n1	2x φ3,5x13 mm p1	2x φ3,5x16 mm p25	2x φ3,5x10 mm p35	17x φ3,5x16 mm p38	12x φ3,5x15 mm p51	18x φ1,5x12mm #16 r1	18x r42
2x 500 mm t34	2x 500 mm w26\CL	2x 500 mm w26\CR	2x 500 mm w26\DL	2x 500 mm w26\DR	1x z1	1x n26\1	1x φ3,5x16 mm p38	

