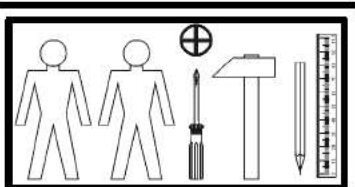
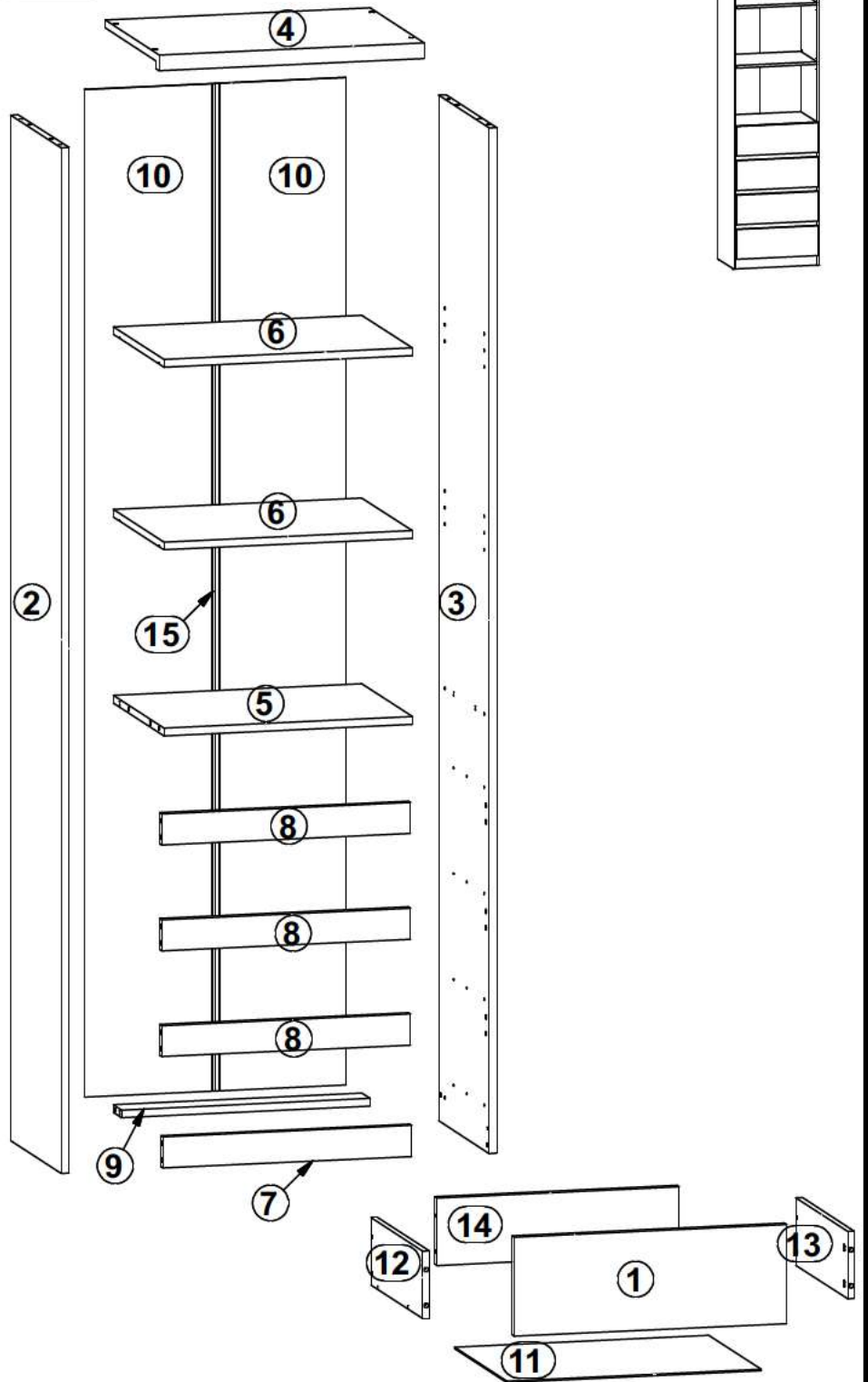
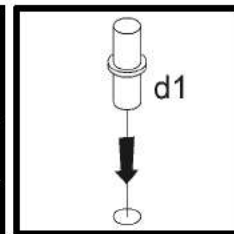
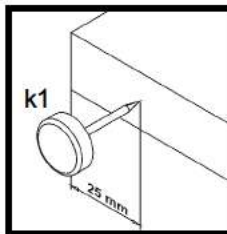
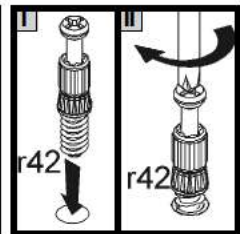
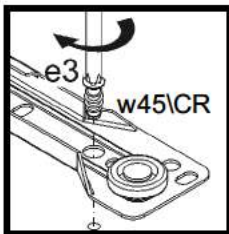
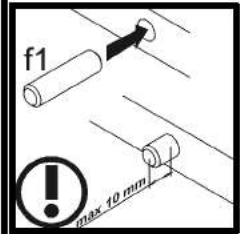
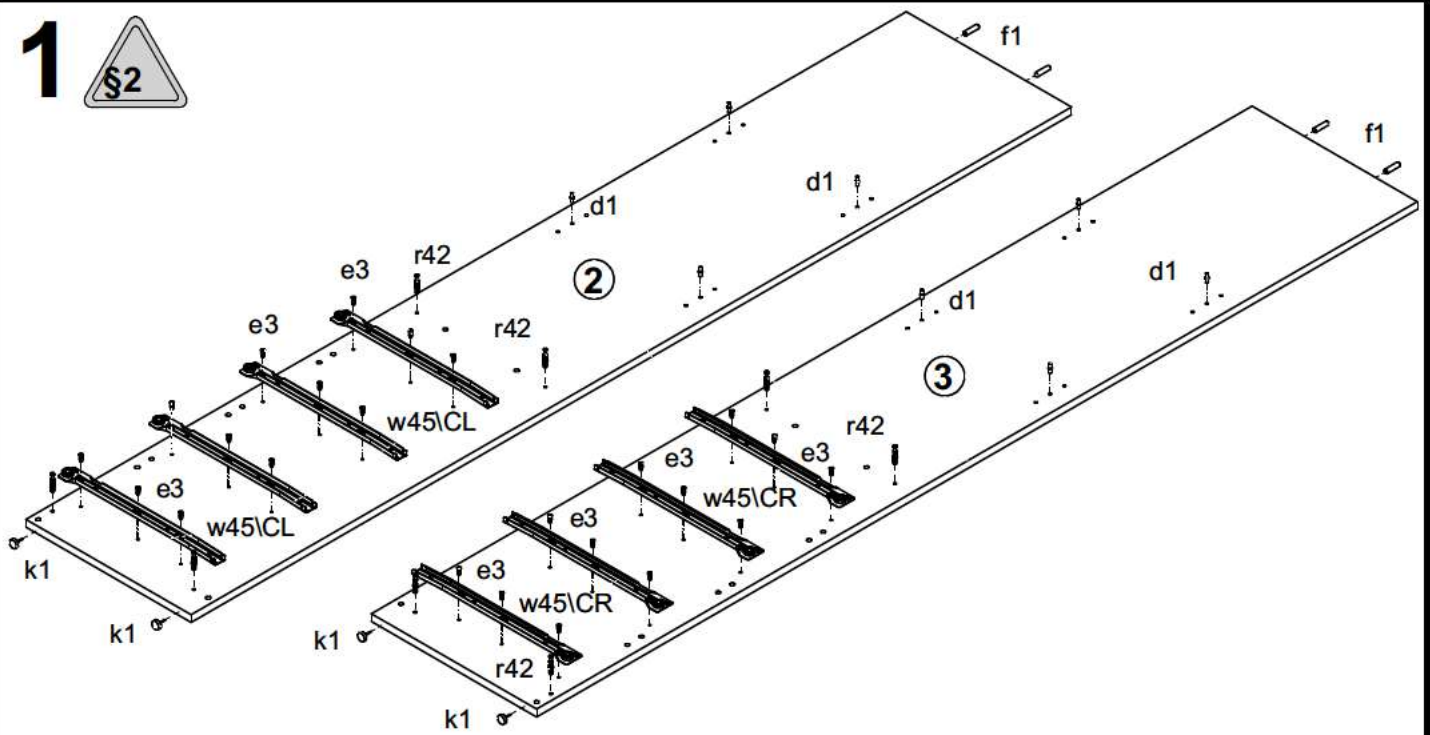


A	B	C	D	
1	S162 0006A	494	176	3/3
2	S162 1107	1977	371	1/3
3	S162 1108	1977	371	1/3
4	S162 2206	522	397	2/3
5	S162 3301	488	371	2/3
6	S162 3302	487	370	2/3
7	S162 4404	488	60	2/3
8	S162 4405	488	60	2/3
9	S162 4408	488	60	2/3
10	S162 9903	1942	256	1/3
11	S162 9971	453	355	1/3
12	BB 511	350	120	2/3
13	BB 512	350	120	2/3
14	ZB 5520	431	120	2/3
15	Lh 1912	1912	14	1/3

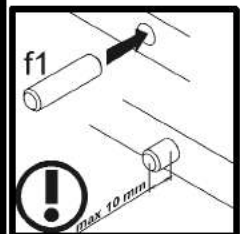
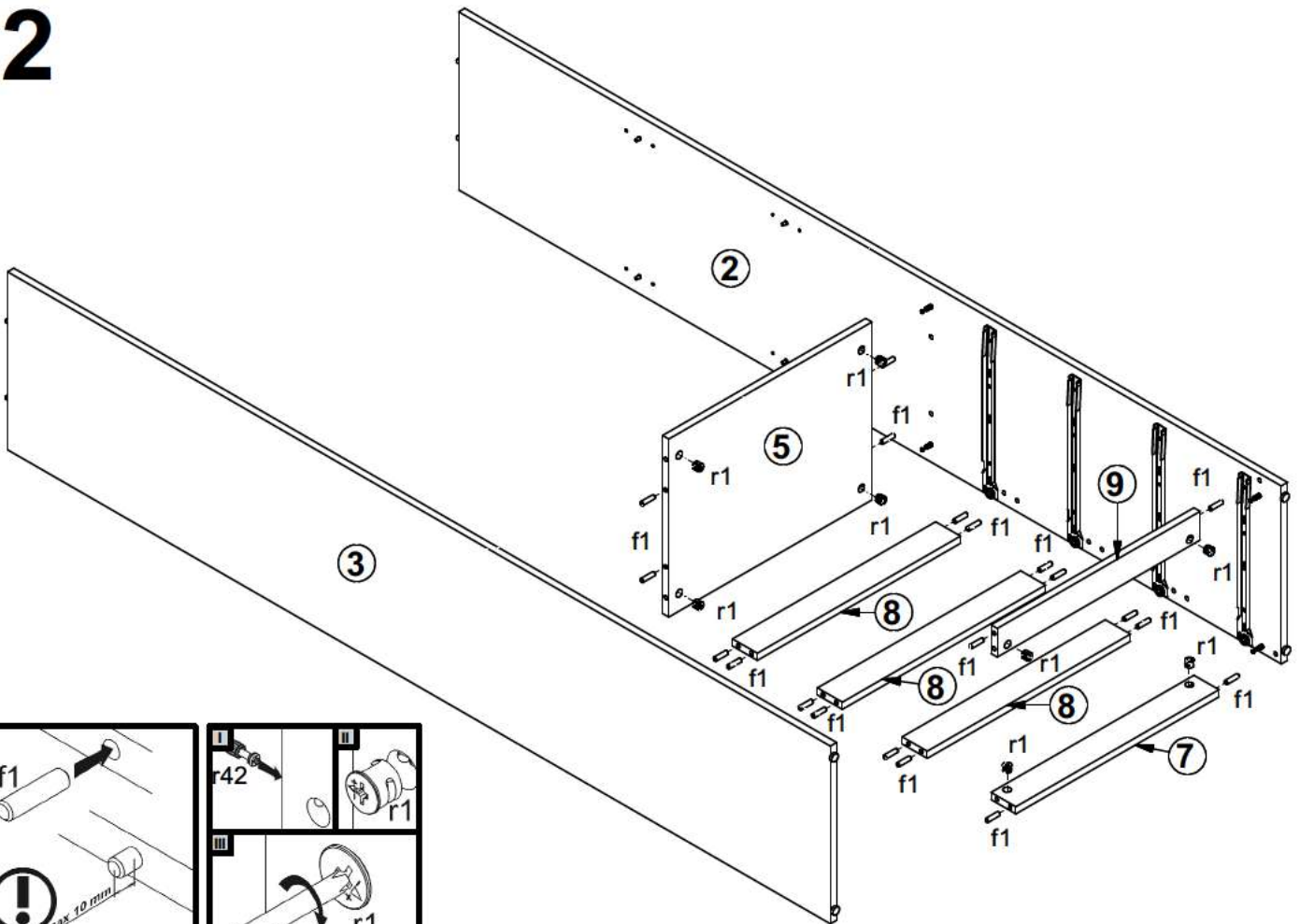


8x ø5x17 mm d1	4x ø7x50 mm e1	16x ø5x9 mm e19	24x ø6x13 mm e3	24x ø8x30 mm f1	16x ø6.5x40 mm f25	4x k1	60x l1	12x ø3.5x16 mm p38
24x ø1.5x12mm #16 r1	24x r42	4x 350 mm w45\CL	4x 350 mm w45\CR	4x 350 mm w45\DL	4x 350 mm w45\DR	1x z1	1x n26\1	
1x ø3.5x16 mm p38	4x ø16 s2							

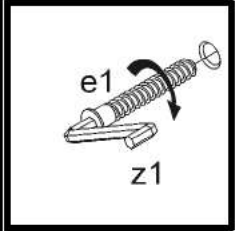
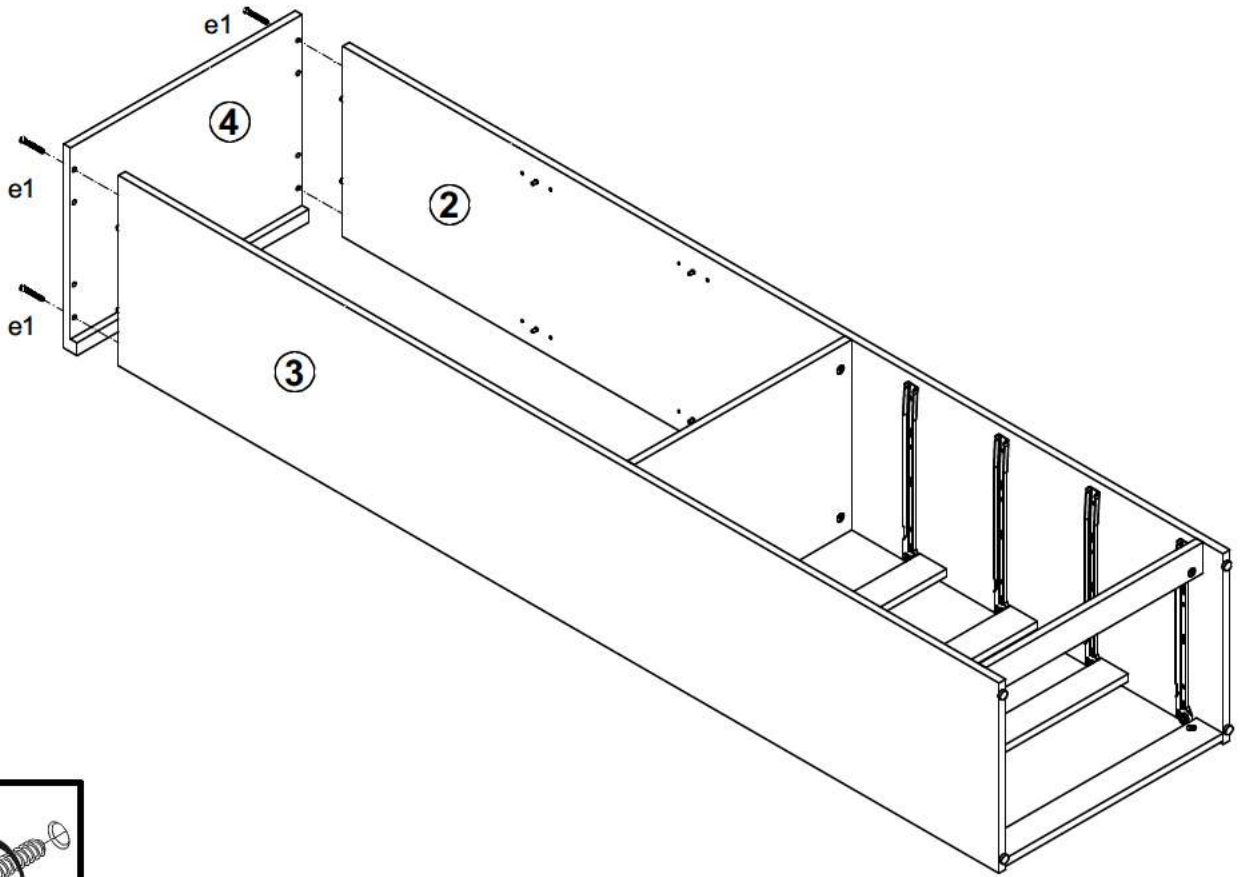
1



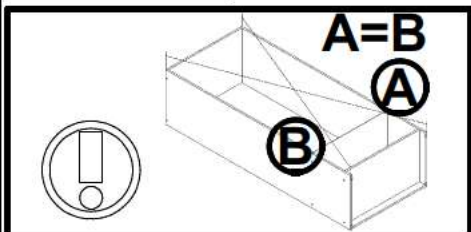
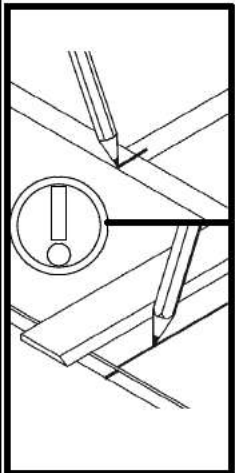
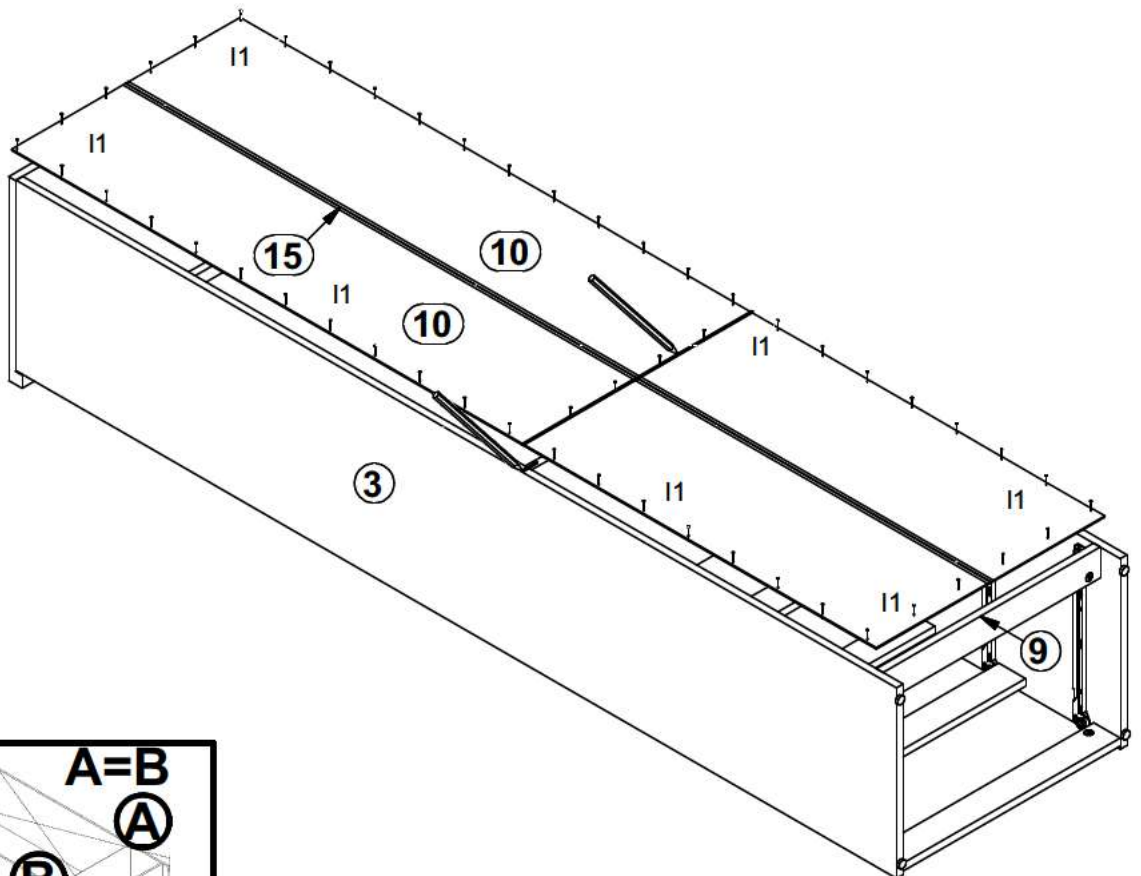
2



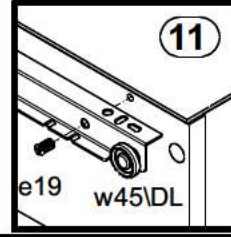
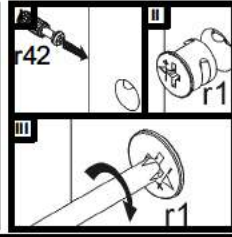
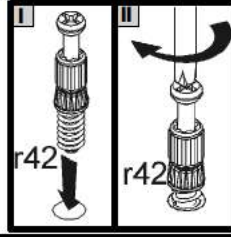
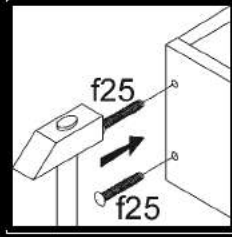
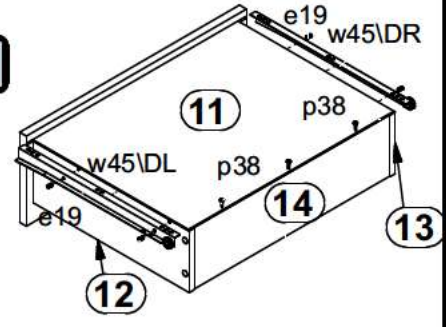
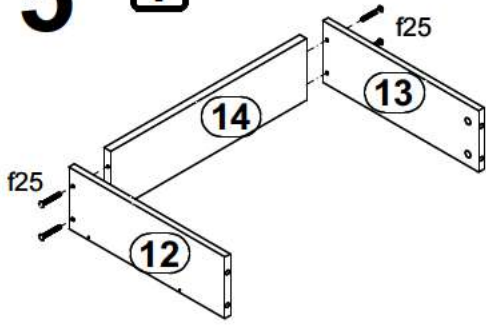
3



4



5



6

