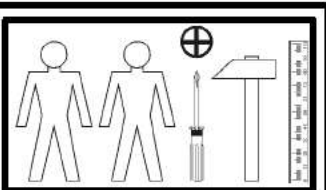
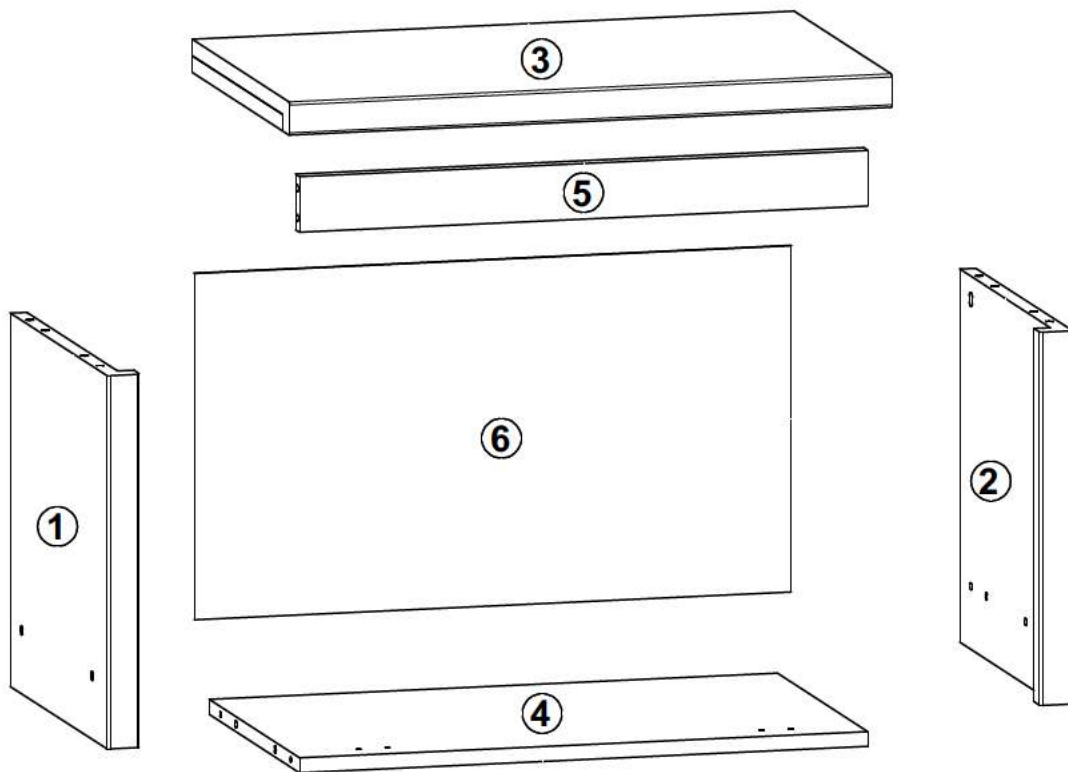
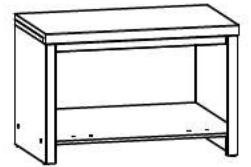


KRISTINA

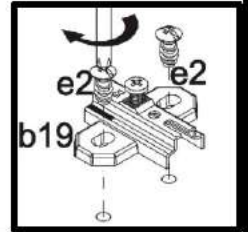
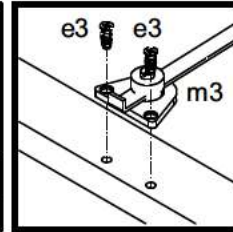
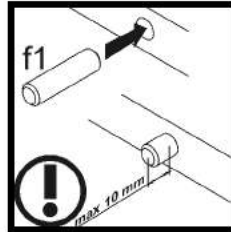
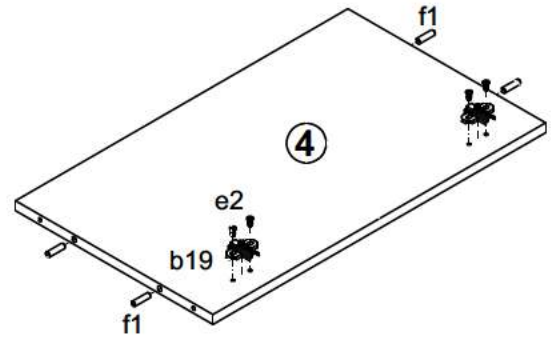
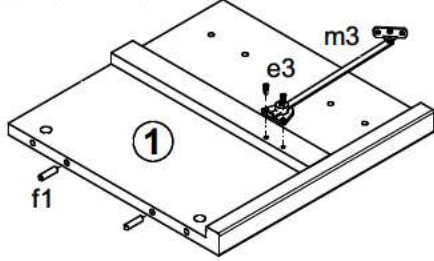
SBUT/60

A	B	C	D
1	S128 143	402	396
2	S128 144	402	396
3	S128 214	660	399
4	S128 325	623	370
5	S128 418	623	60
6	S128 924	373	654

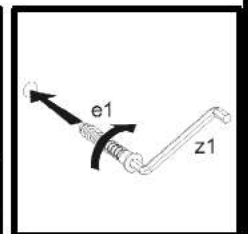
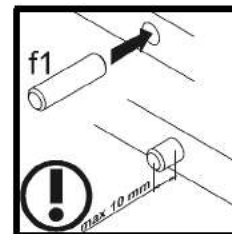
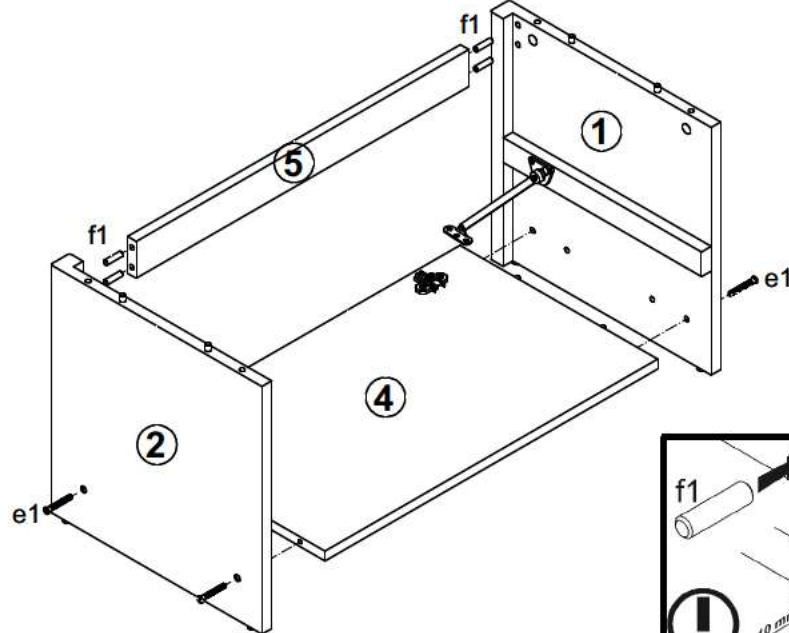


2x a44	2x b19	4x φ7x50 mm e1	4x φ6,3x13 mm e2	2x φ6x13 mm e3	12x φ8x30 mm f1	4x k1	20x l1	1x L-236 m3
3x φ3,5x13 mm p1	4x φ3,5x15 mm p51	4x φ1,5x12mm #16 r1	4x r42	1x z1	4x s1			

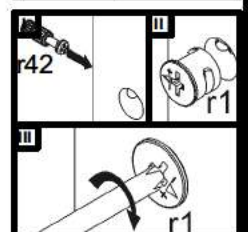
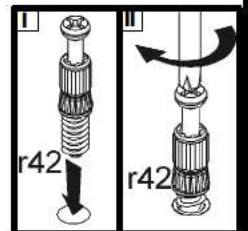
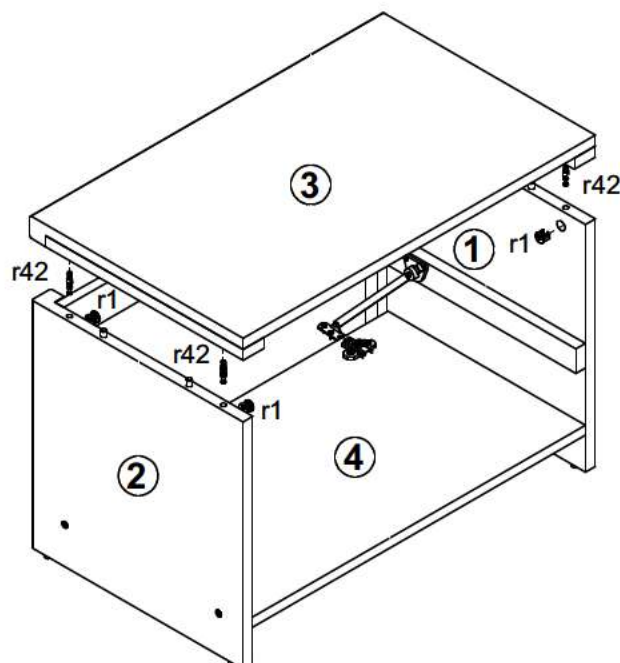
1



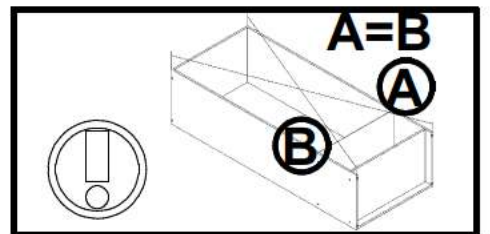
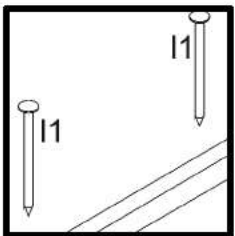
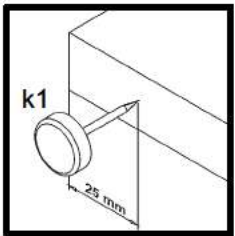
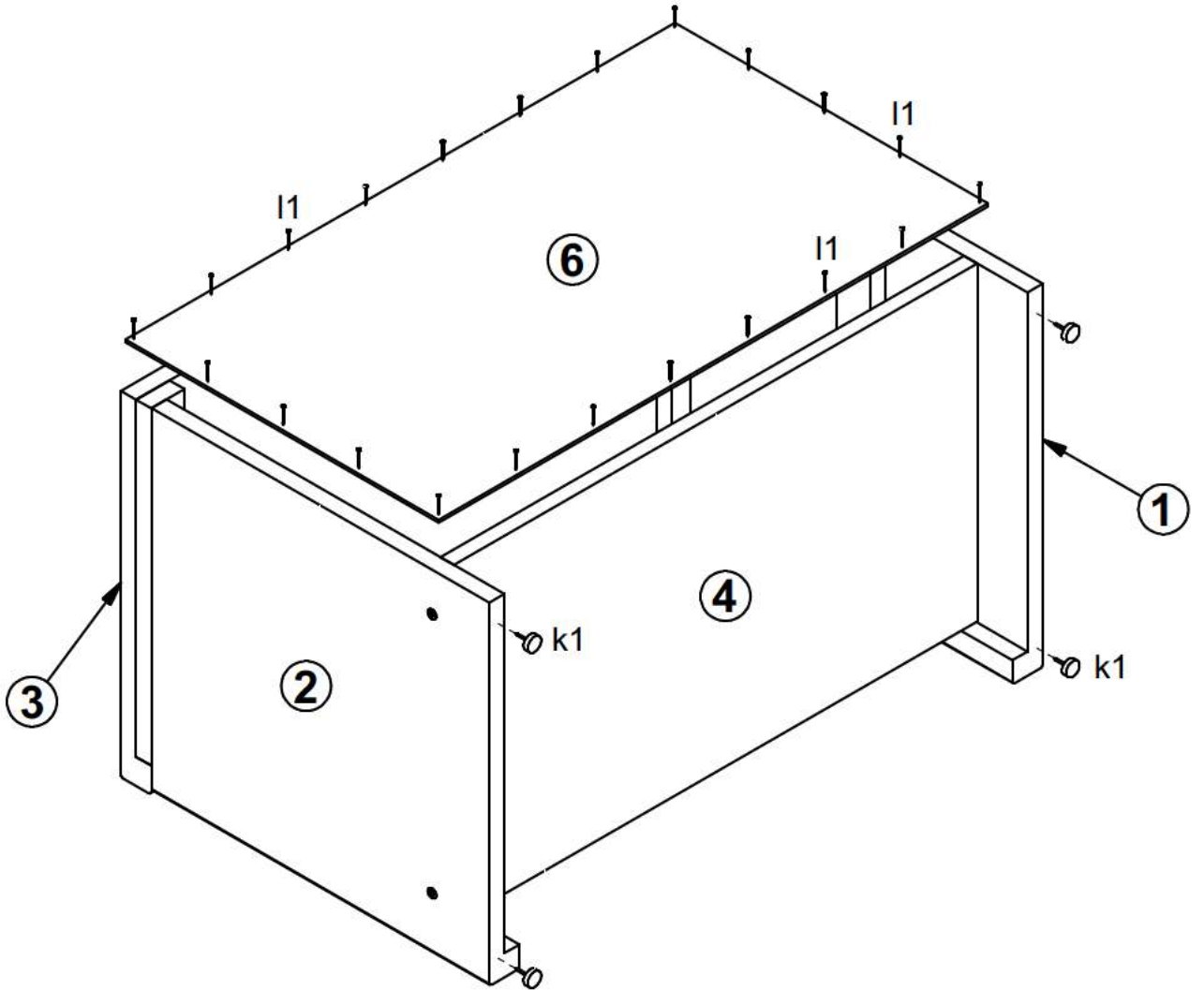
2

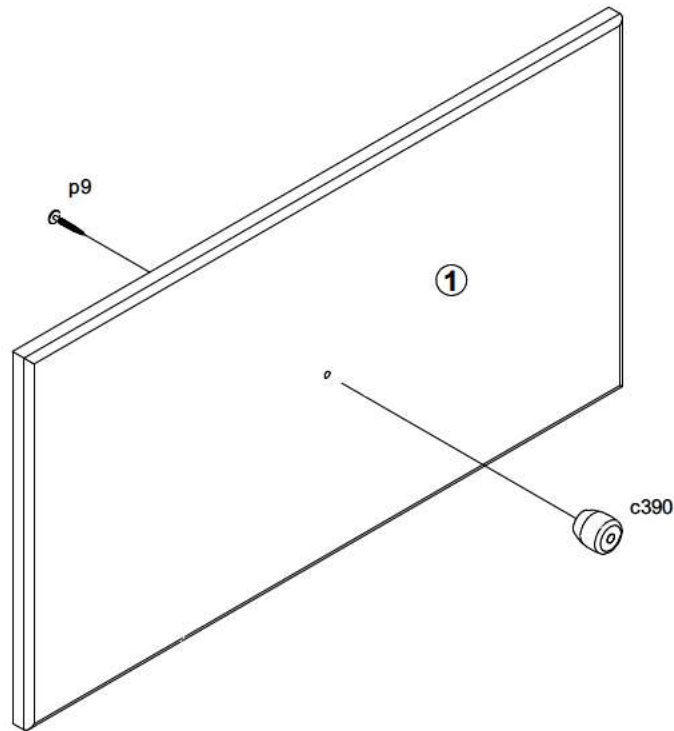
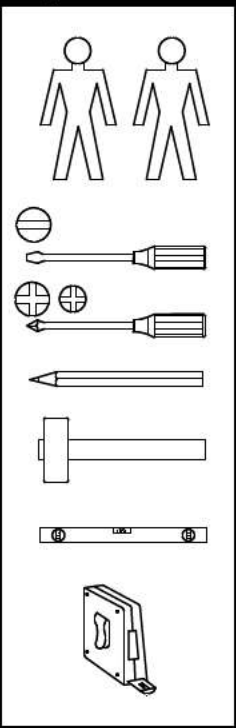


3



4





A	B	C (mm)		D
1	S264 0025	314	582	2/2

