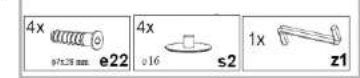
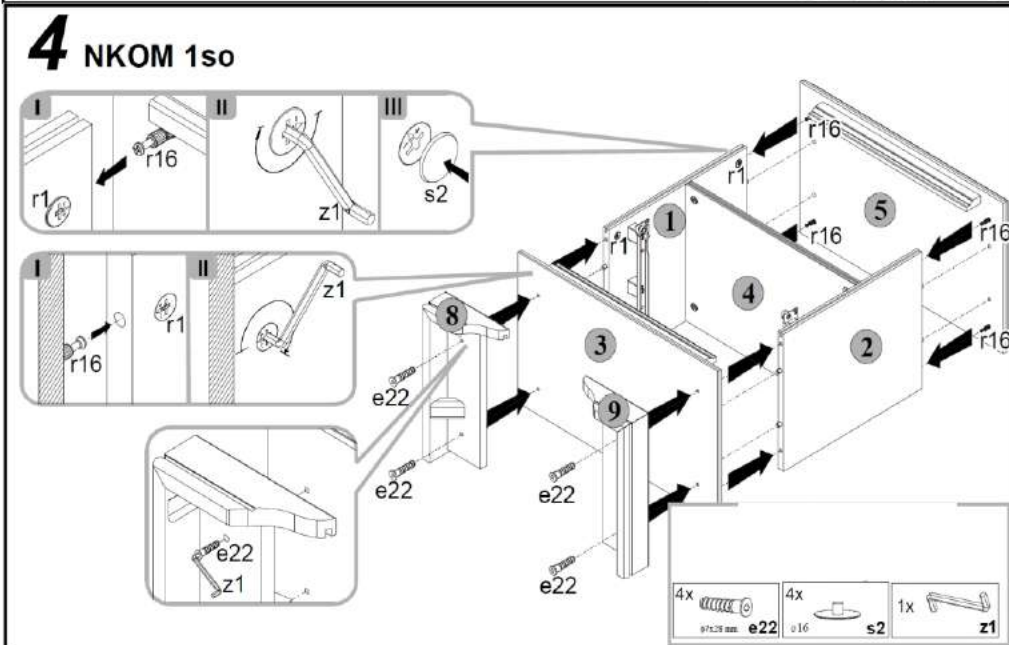
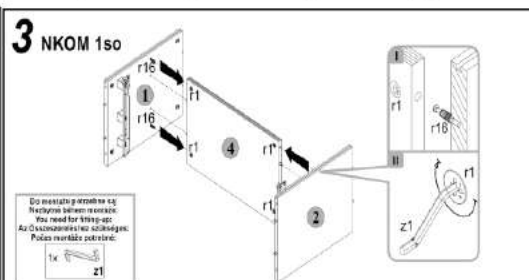
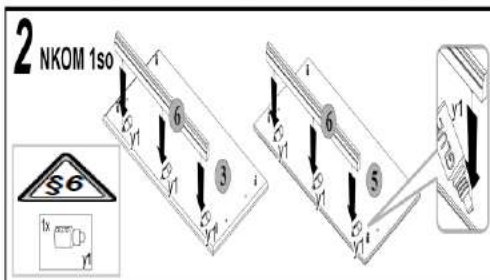
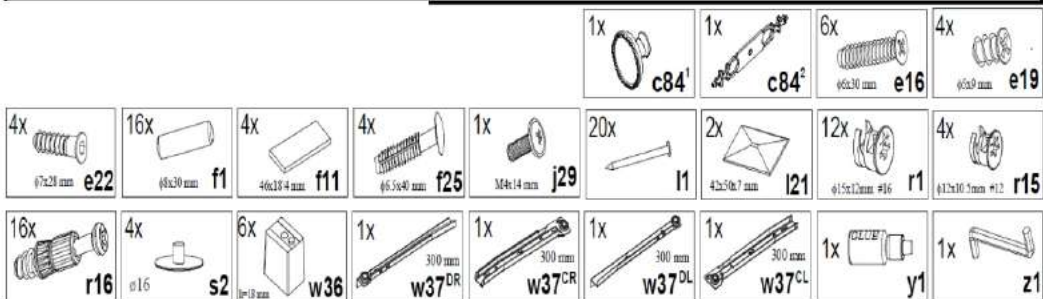
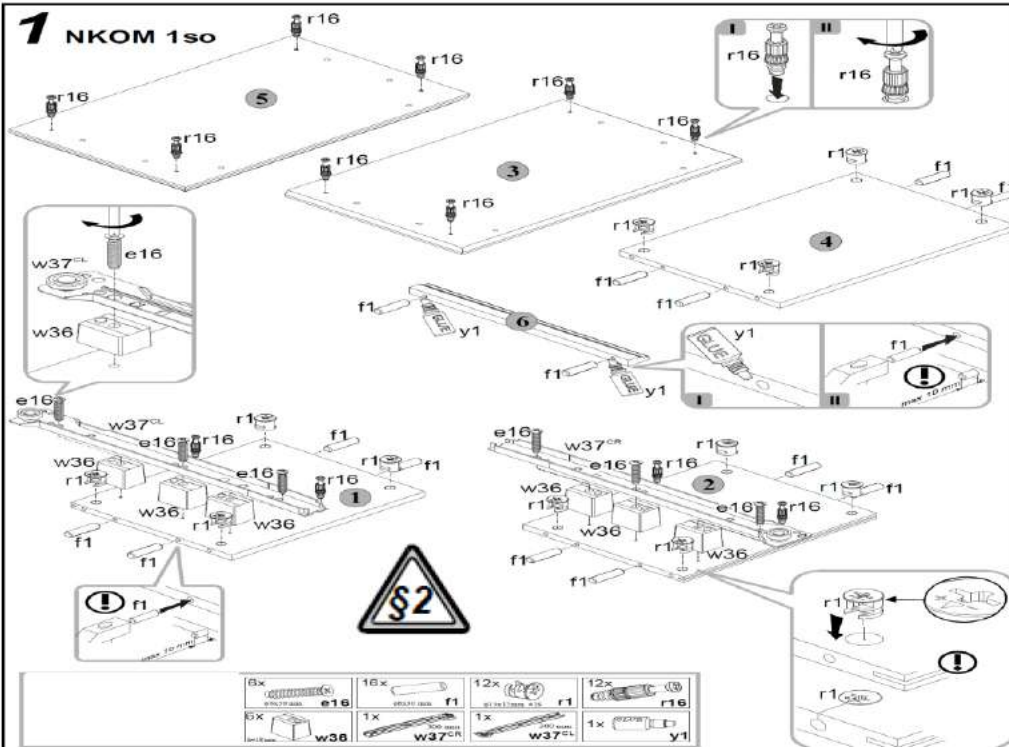
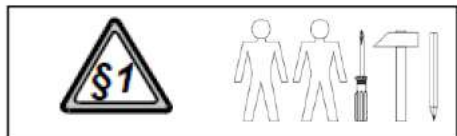
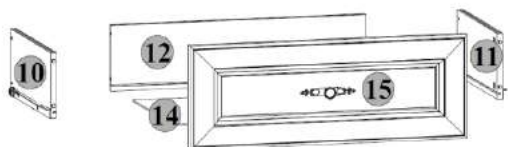
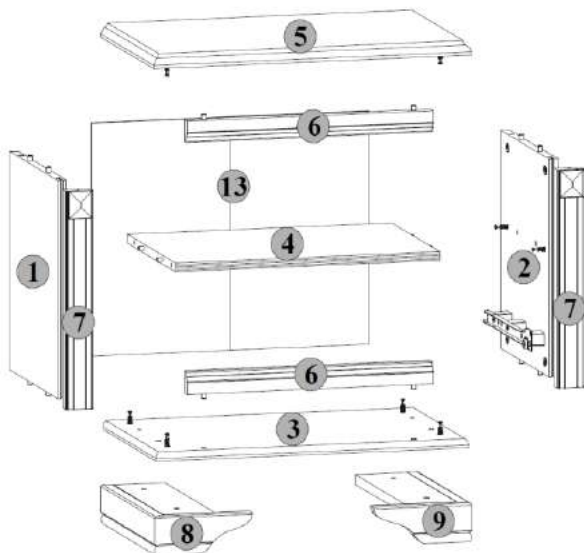
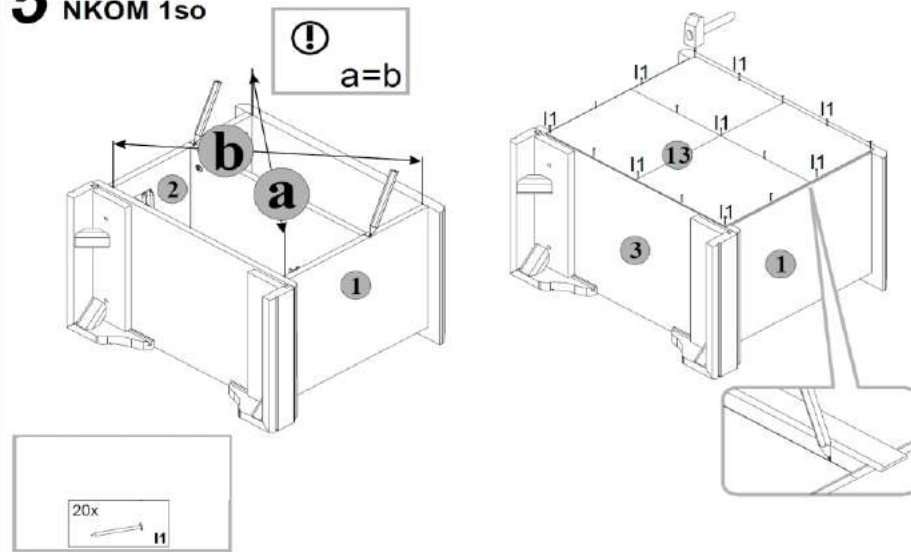


# STYLIUS NKOM 1so

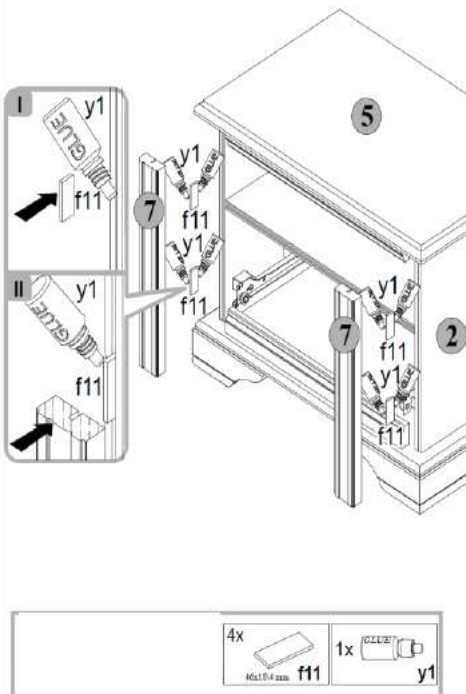
A	B	C	D
1	395x328	S21-132	1/4
2	395x328	S21-133	1/4
3	573x361	S21-203	2/4
4	484x328	S21-303	1/4
5	581x361	S21-231	2/4
6	450x40	S21-574	1/4
7	395x50	S21-590	1/4
8	180x365	S21-2575	3/4
9	180x365	S21-2576	3/4
10	320x140	S21-504	1/4
11	320x140	S21-505	1/4
12	399x140	S21-506	1/4
13	422x509	S21-927	1/4
14	410x318	S21-904	1/4
15	446x191	S21-016	4/4



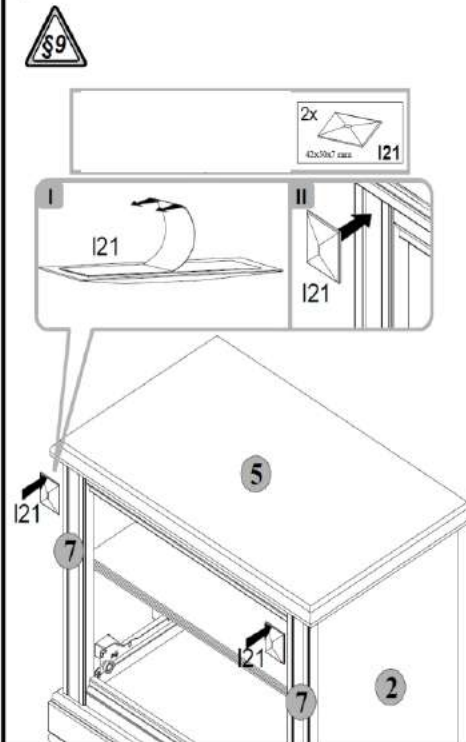
# 5 NKOM 1so



# 6 NKOM 1so



# 7 NKOM 1so



# 8 NKOM 1so

