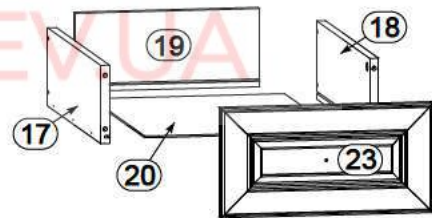
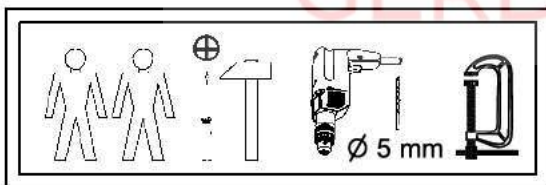
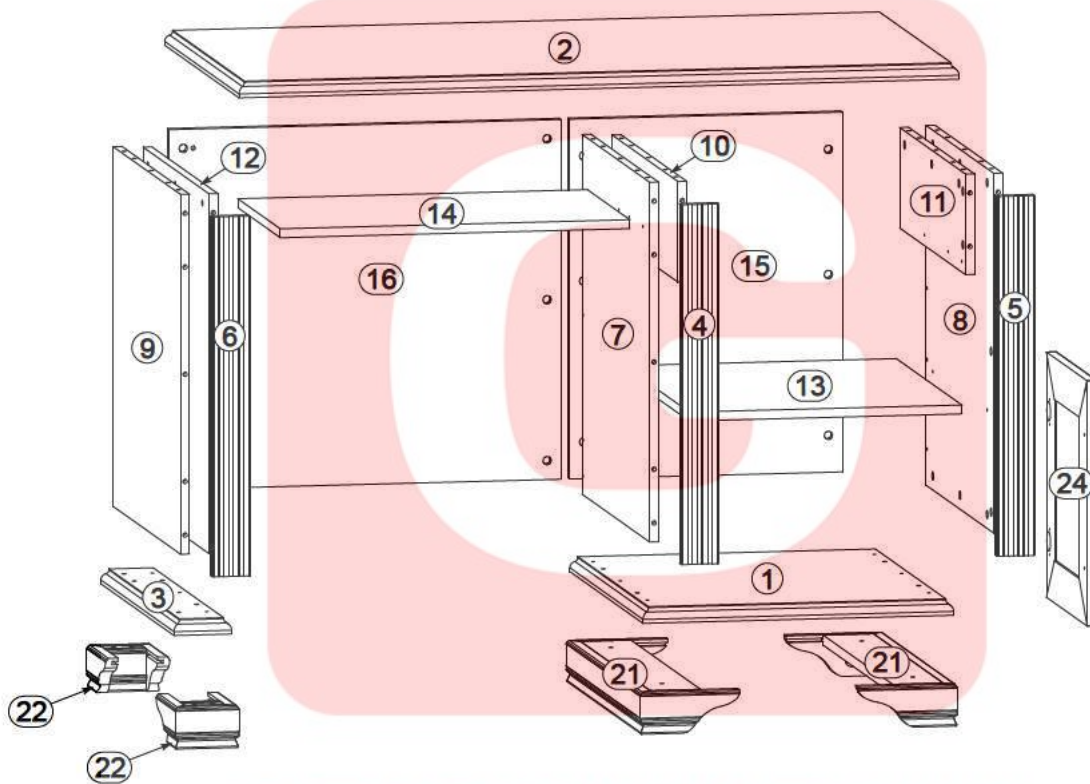


# НАЙТ / ВАЙТ

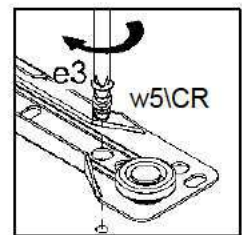
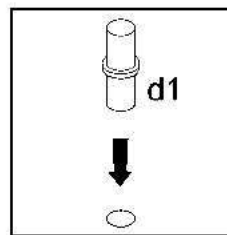
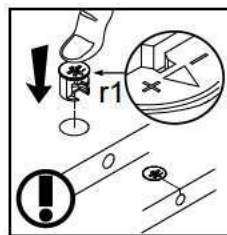
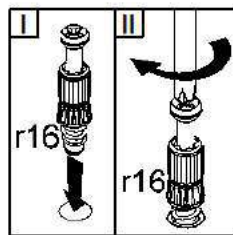
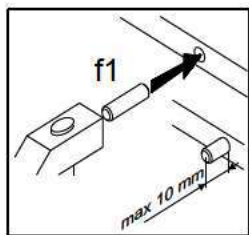
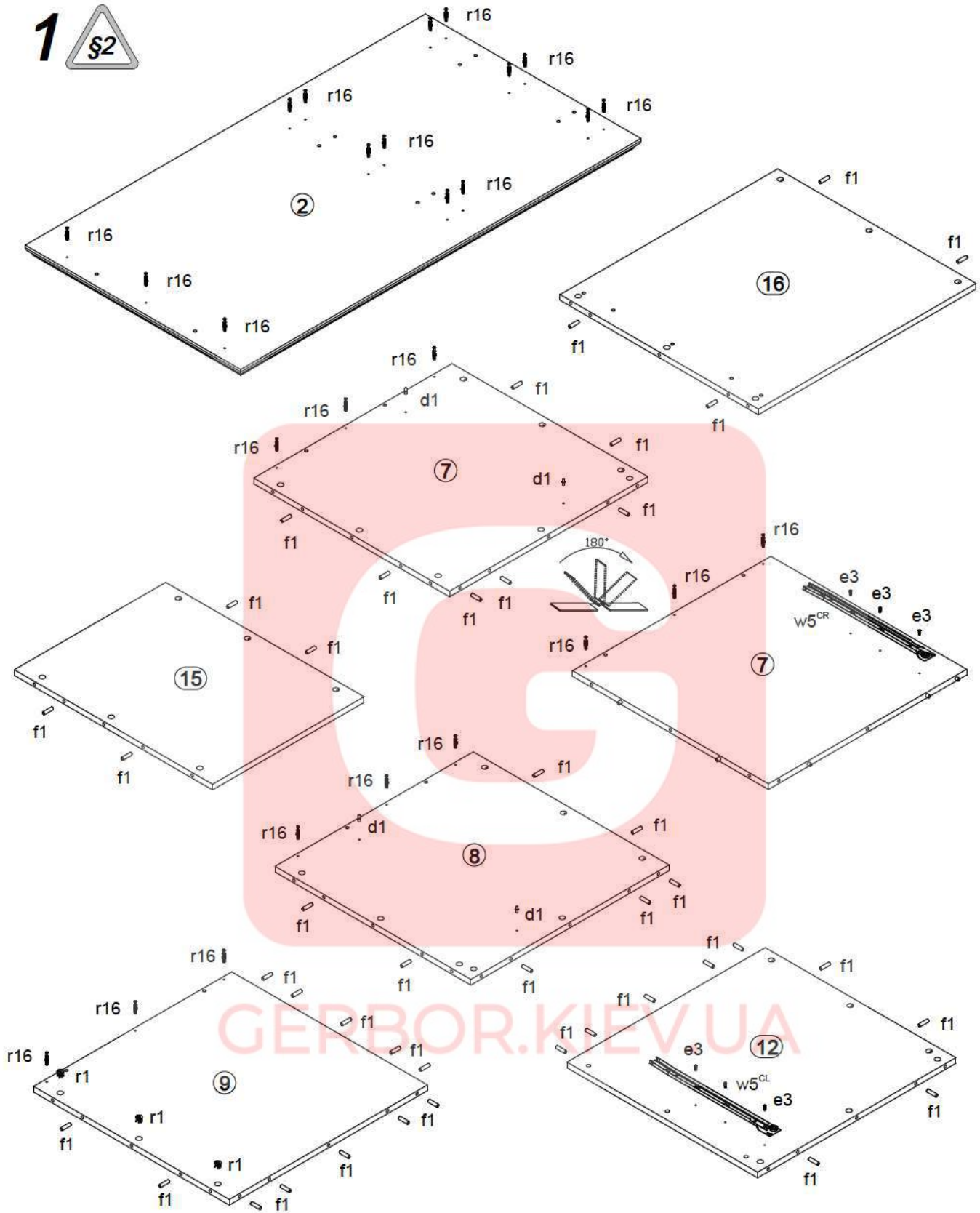
Стіл письмовий / Стол письменный 130

A	B	C	D	A	B	C	D		
1	NT1-241	561	688	1/4	13	NT1-326	492	617	2/4
2	NT1-240	1300	700	1/4	14	NT1-327	631	400	2/4
3	NT1-242	104	688	1/4	15	NT1-424	644	492	2/4
4	NT1-540	644	68	1/4	16	NT1-425	644	707	2/4
5	NT1-541-01	644	68	1/4	17	NT1-5550-01	500	140	2/4
6	NT1-542	644	68	1/4	18	NT1-5551-01	500	140	2/4
7	NT1-149	644	636	2/4	19	NT1-556	333	140	2/4
8	NT1-150	644	636	2/4	20	NT1-930	499	348	2/4
9	NT1-153	644	636	2/4	21	NT1-587	180	700	3/4
10	NT1-151-01	180	619	2/4	22	NT1-588	180	116	3/4
11	NT1-152-01	180	619	2/4	23	NT1-013	196	383	4/4
12	NT1-154	644	619	2/4	24	NT1-036-01	439	383	4/4

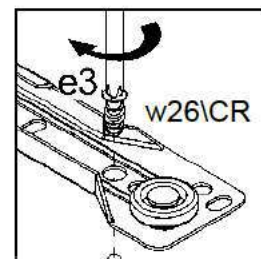
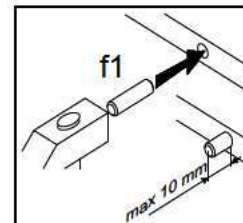
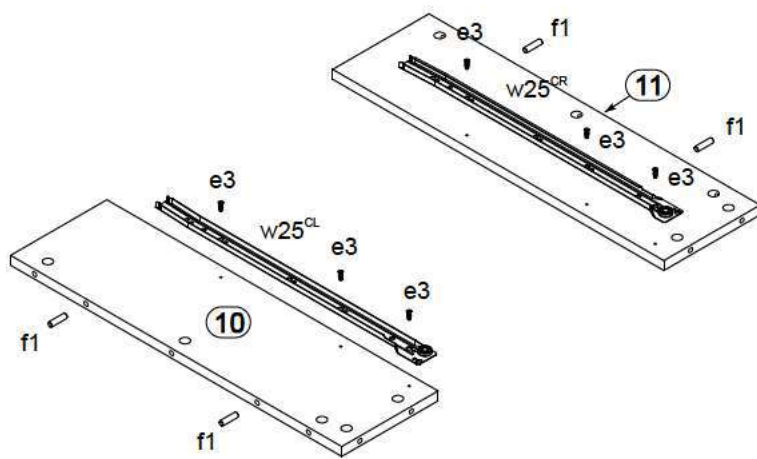


2x a99	2x b43	2x c409	4x $\phi 5 \times 17$ mm d1	47x $\phi 8 \times 30$ mm f1	4x $\phi 6.3 \times 13$ mm e2	12x $\phi 6 \times 13$ mm e3	8x $\phi 7 \times 28$ mm e22	4x $\phi 5 \times 50$ mm e32
16x k1	1x M4x30 mm j6	1x M4x18 mm j59	4x $\phi 3.5 \times 13$ mm p27	4x $\phi 3.5 \times 15$ mm p51	6x $\phi 3 \times 12$ mm p54	51x $\phi 15 \times 12$ mm #16 r1	51x 20/9 r16	29x $\phi 16$ s2
1x $\phi 5$ s4	3x $\phi 20$ самоклеяка s100	1x 400 mm w5\CL	1x 400 mm w5\CR	1x 400 mm w5\DL	1x 400 mm w5\DR	1x 500 mm w26\CL	1x 500 mm w26\CR	1x 500 mm w26\DL
1x 500 mm w26\DR	1x z1							

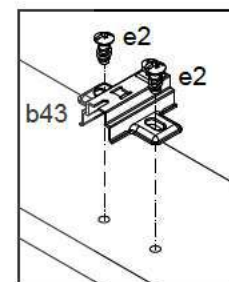
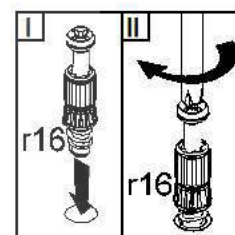
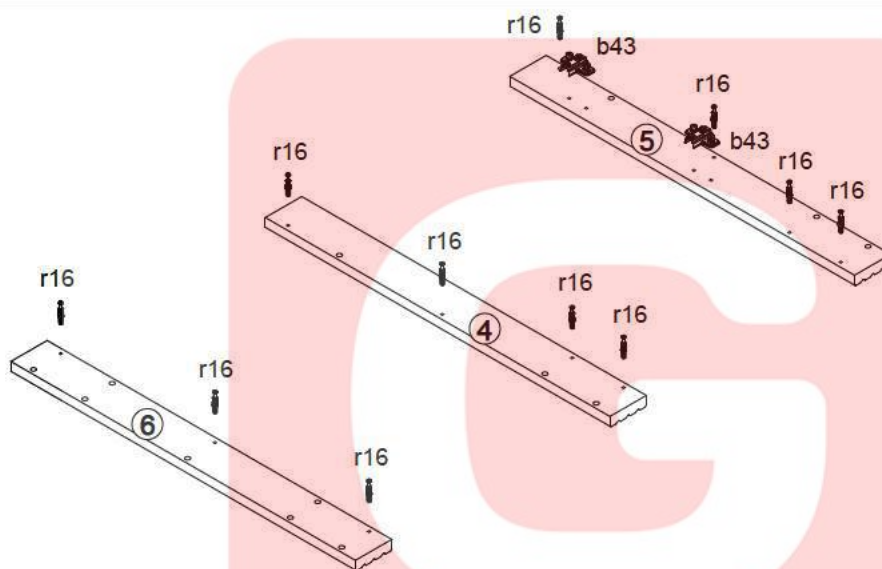
1 



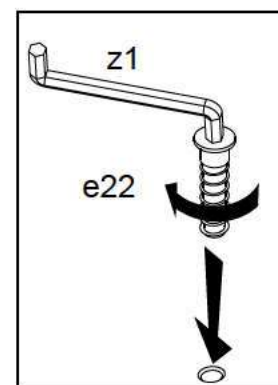
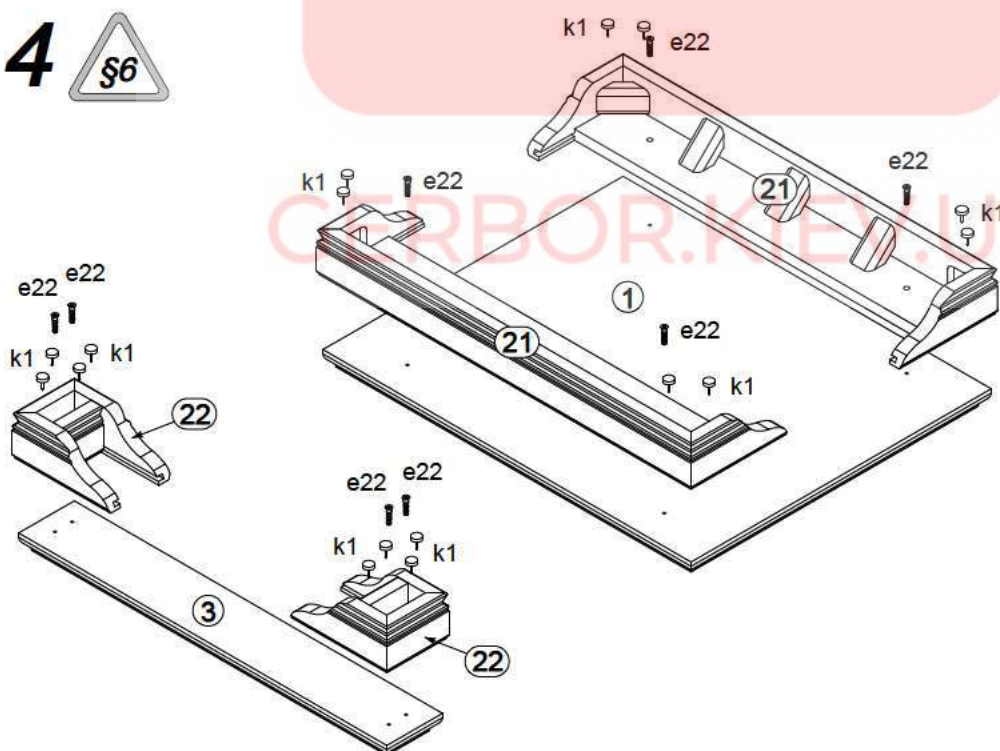
# 2

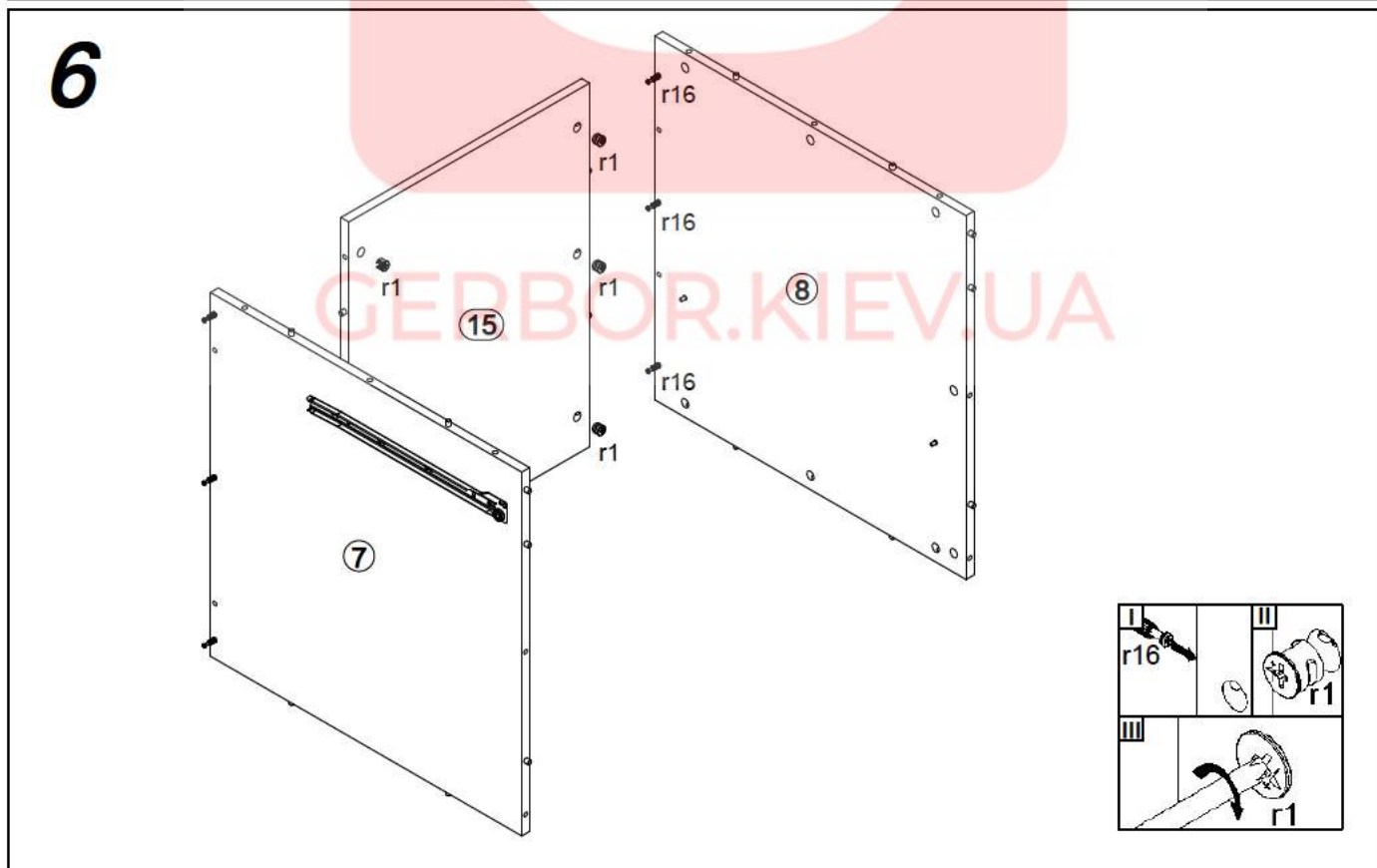
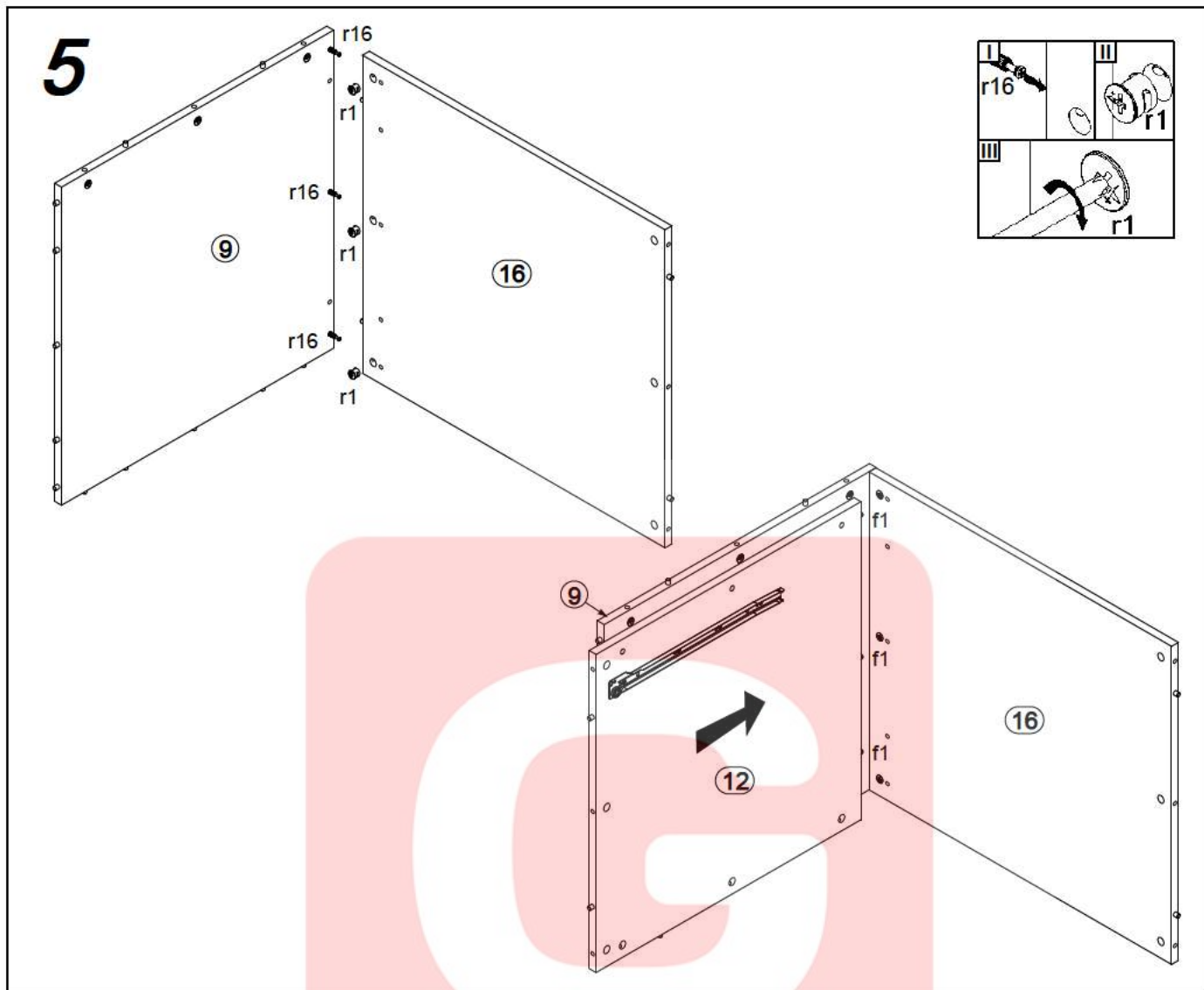


# 3

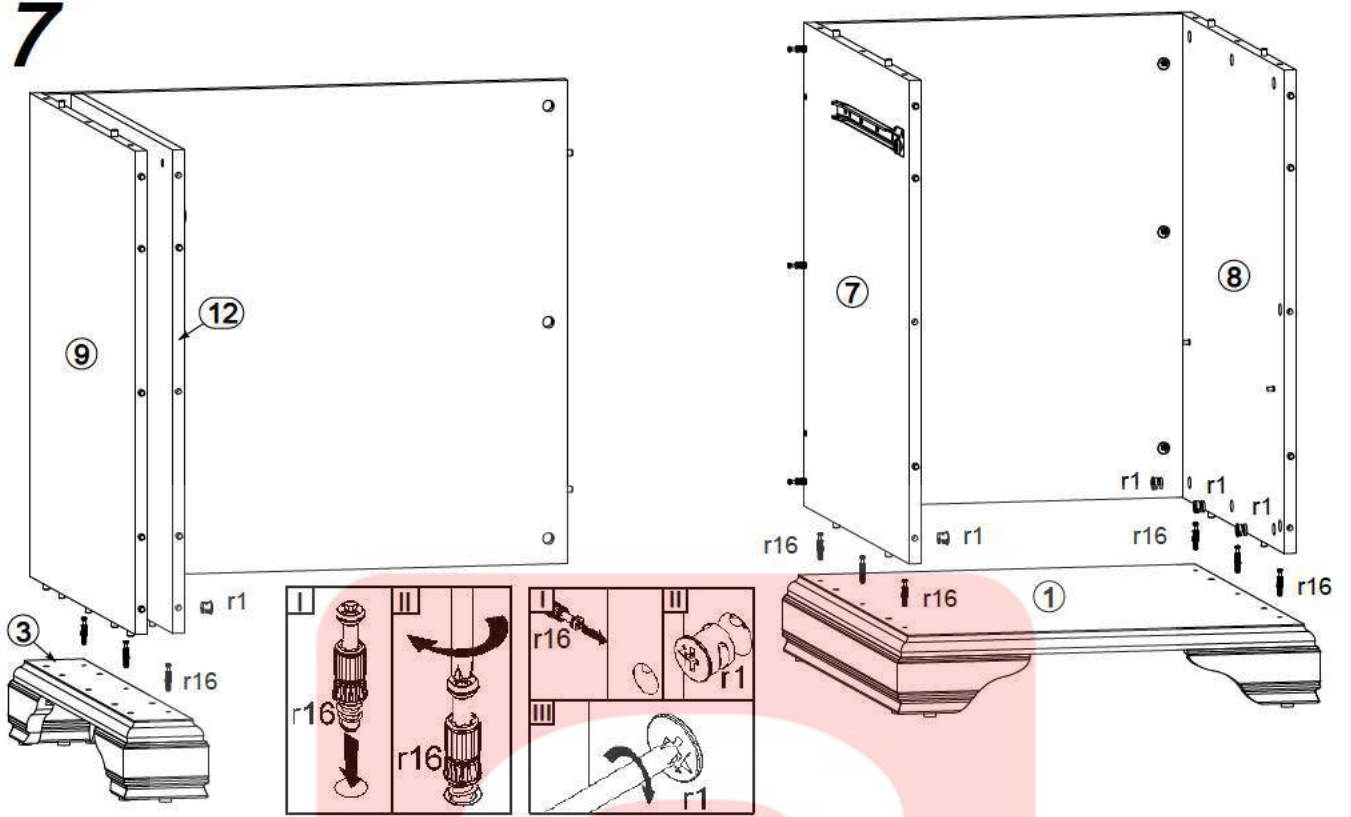


# 4

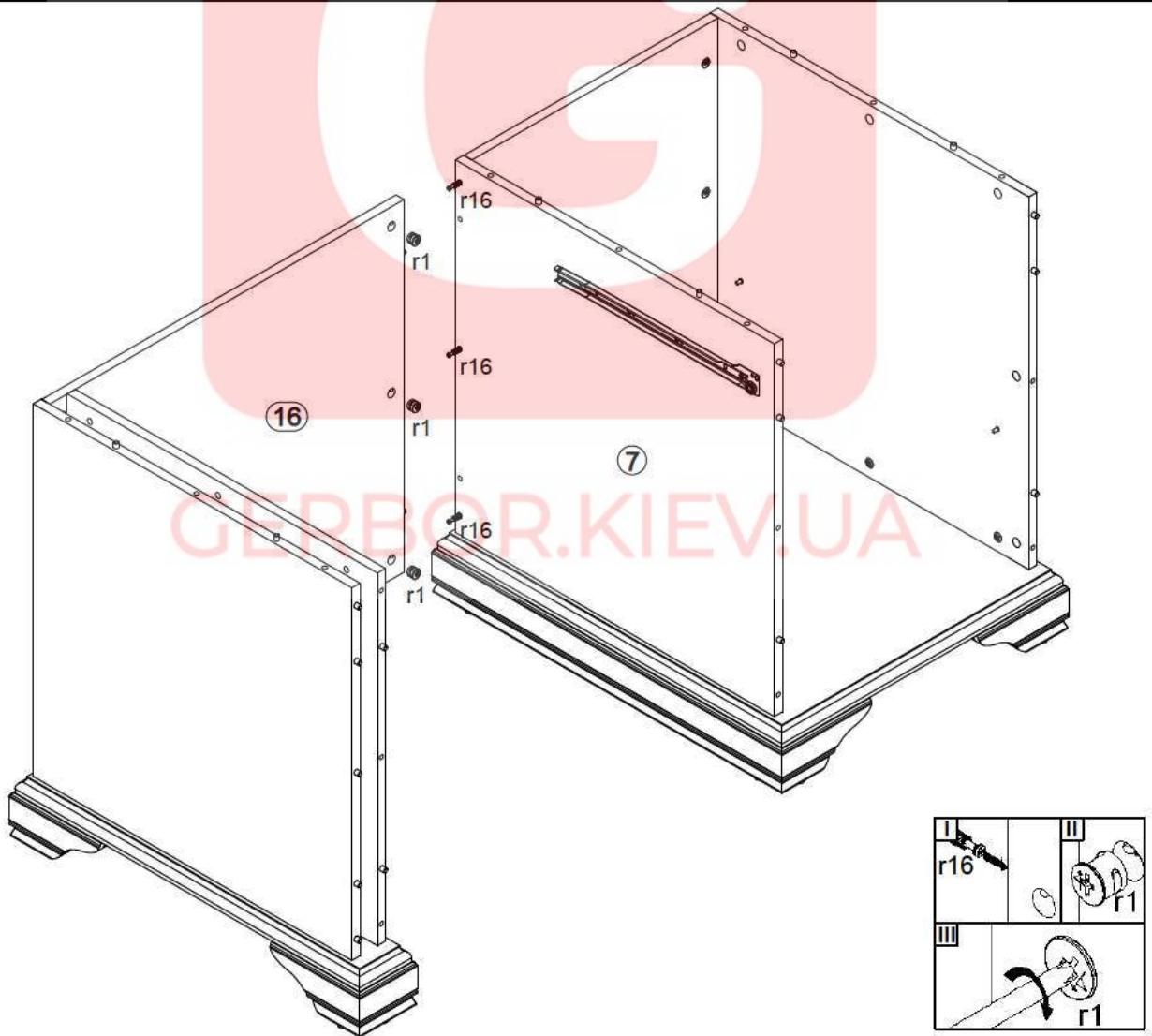




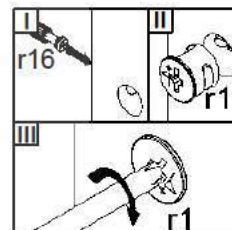
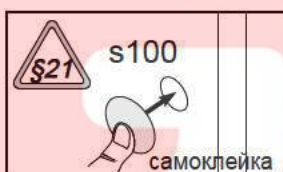
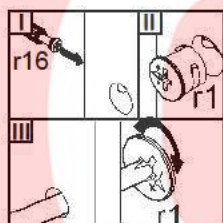
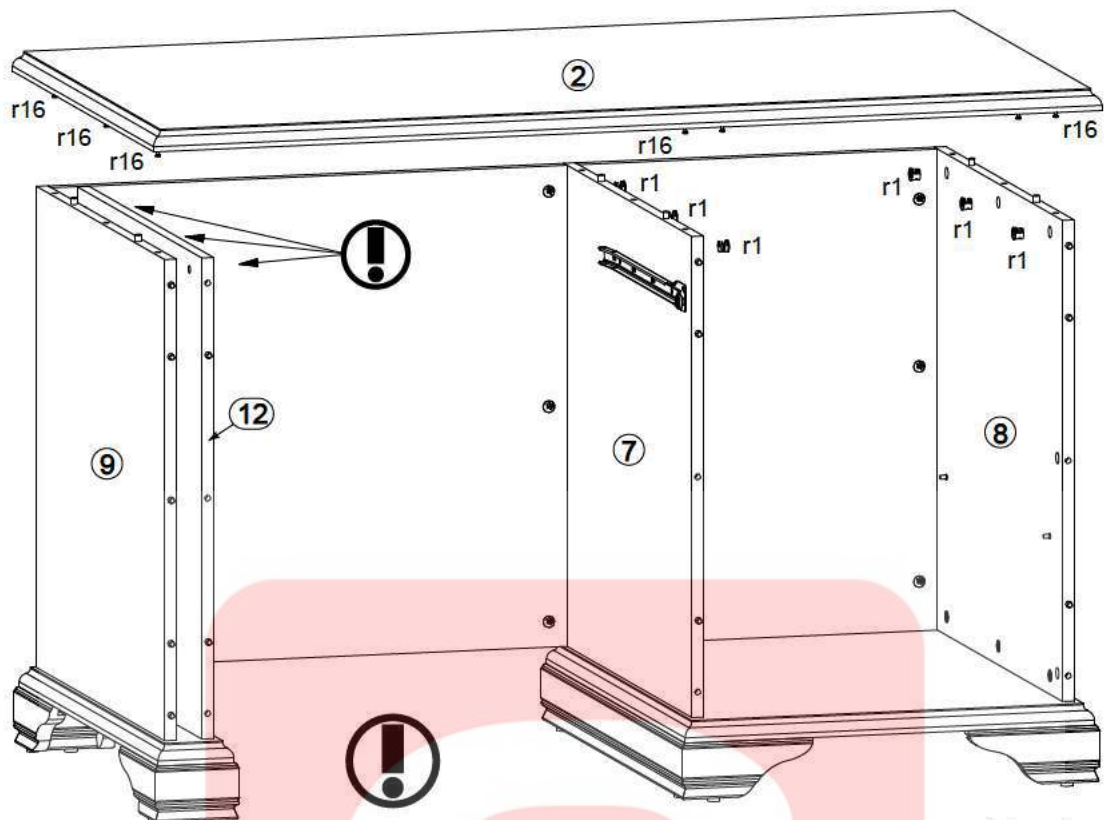
# 7



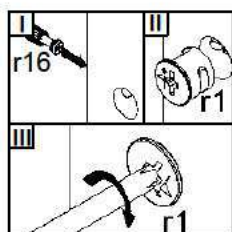
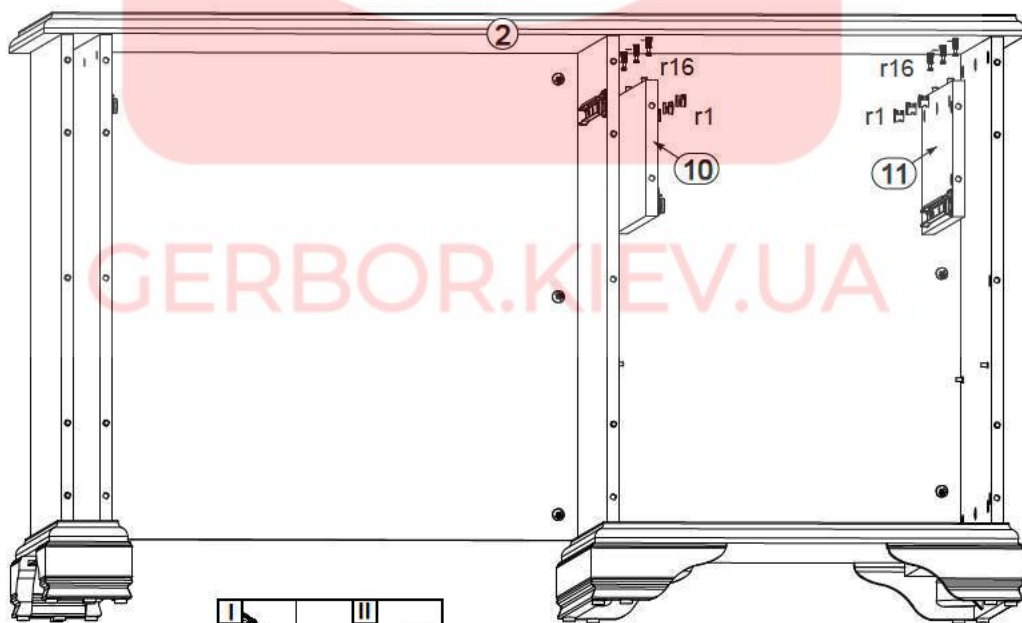
# 8



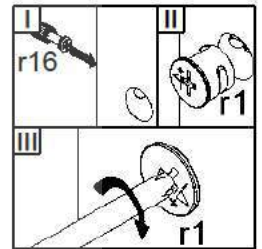
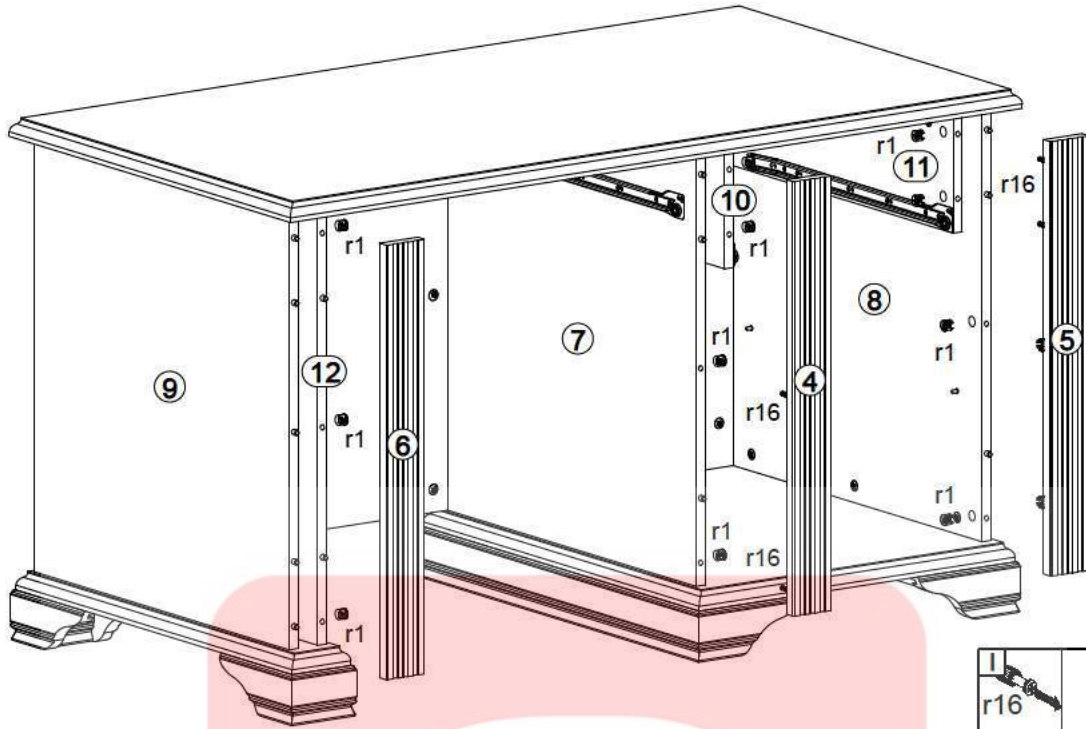
# 9



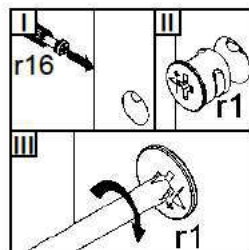
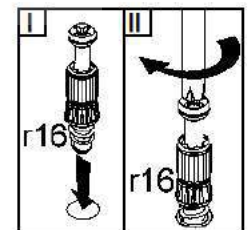
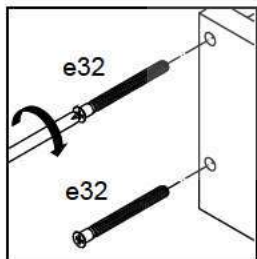
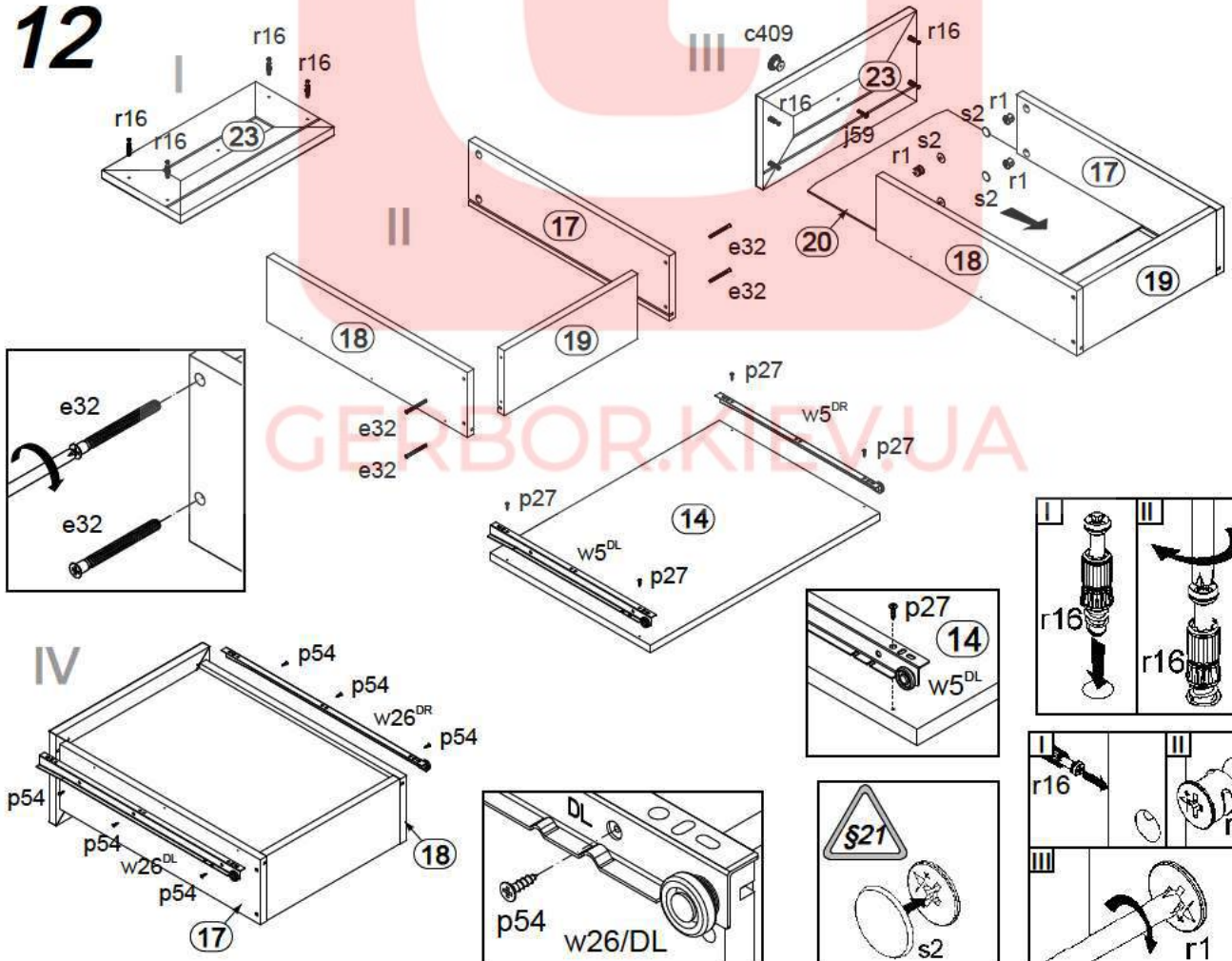
# 10



# 11



# 12



# 13

