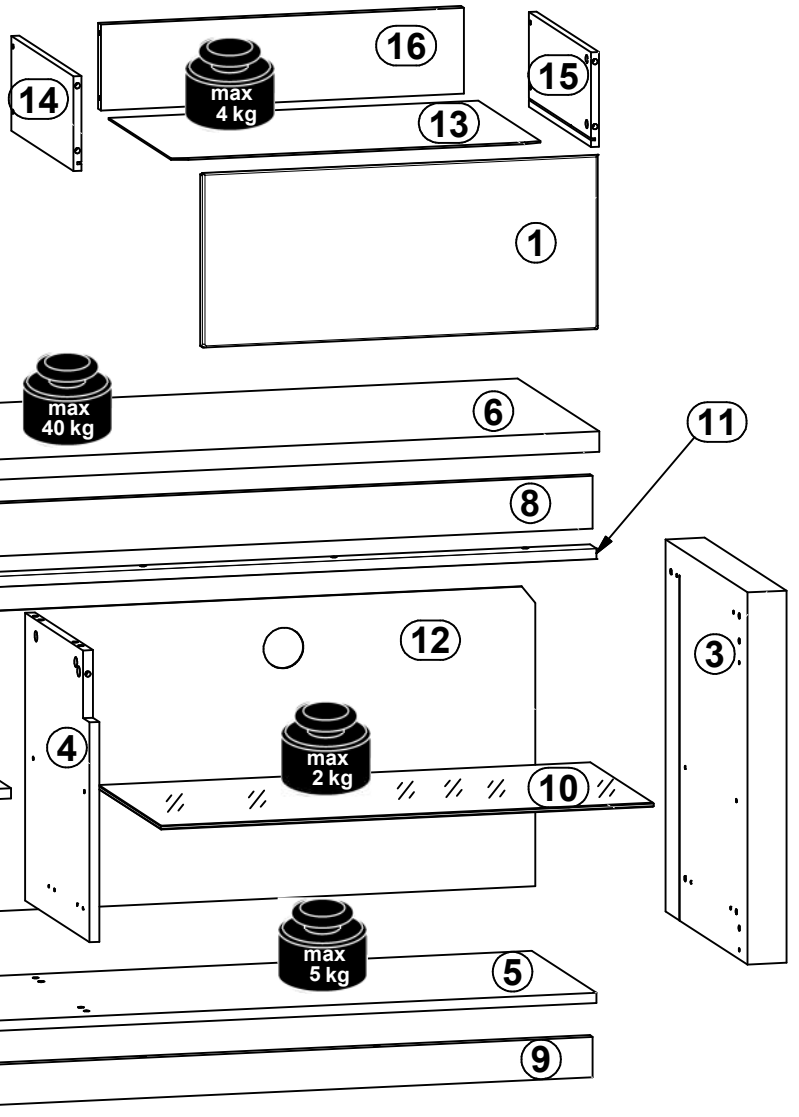
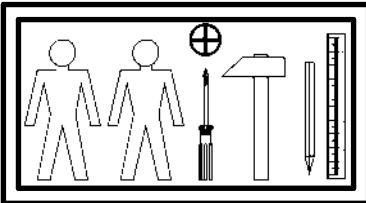
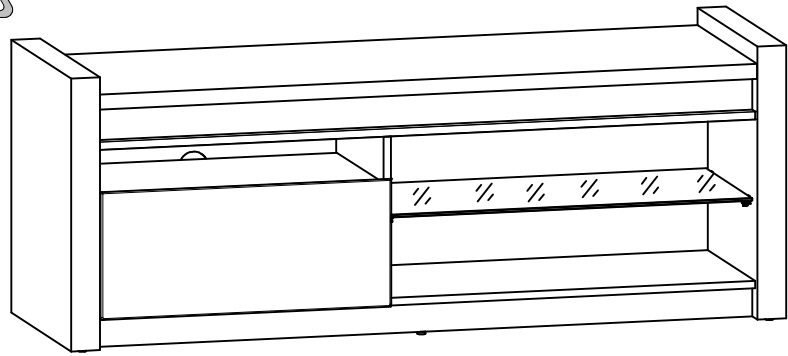


A

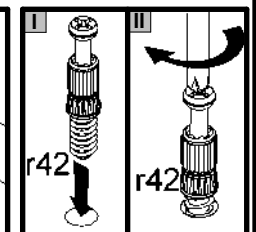
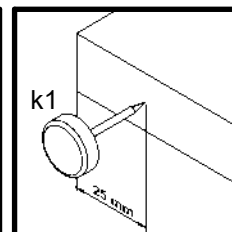
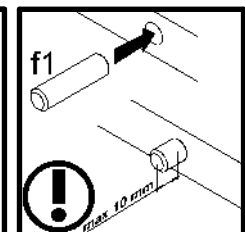
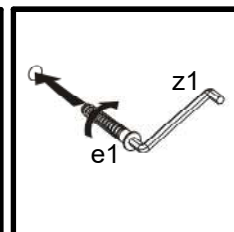
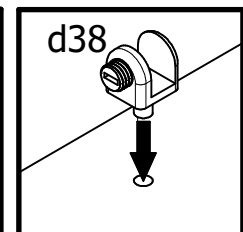
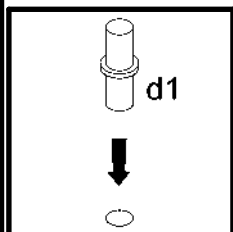
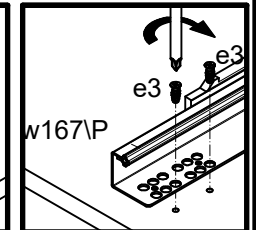
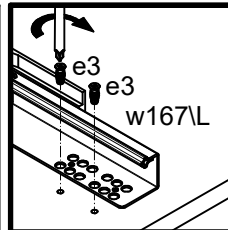
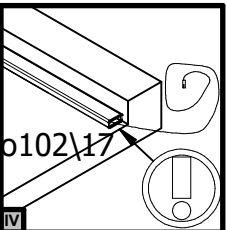
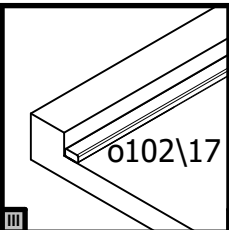
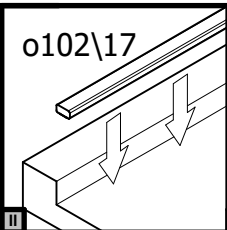
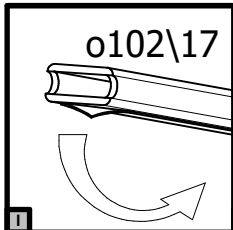
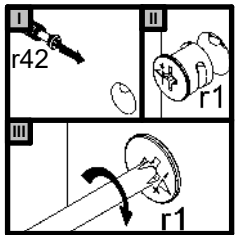
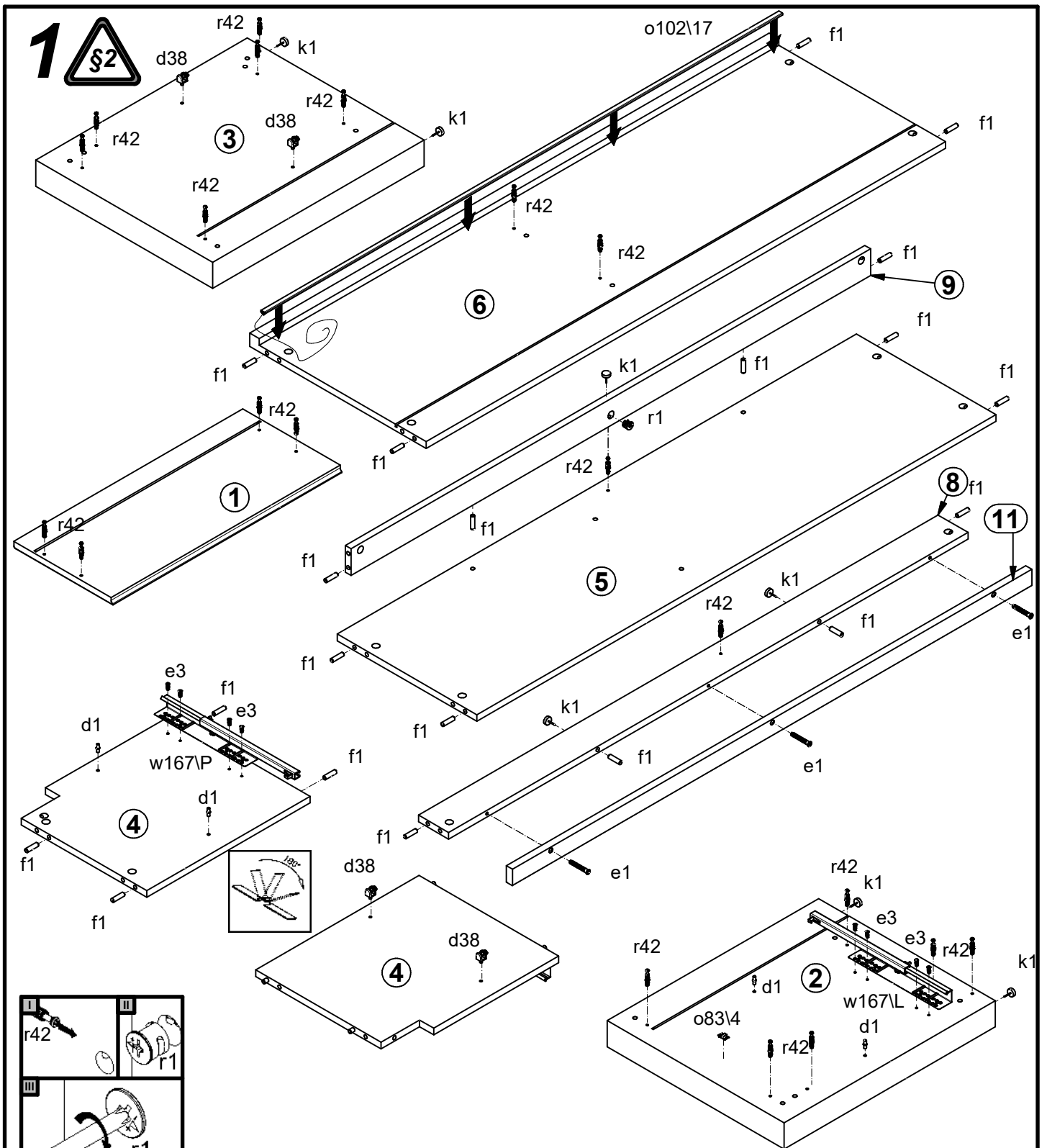
ALAMEDA

S420-RTV1S

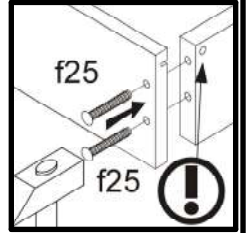
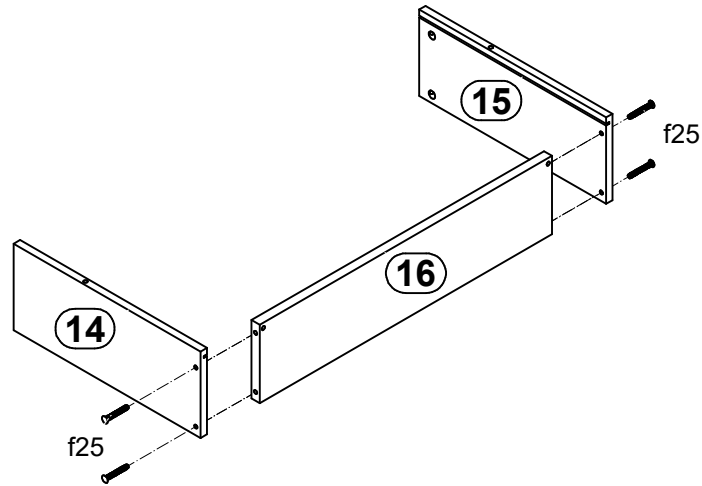
A	B	C	D	
1	S420-0013	596	258	2/2
2	S420-1011	550	460	1/2
3	S420-1012	550	460	1/2
4	S420-1013	425	363	2/2
5	S420-3011	1351	363	1/2
6	S420-3012	1351	459	1/2
7	S420-3013	586	354	2/2
8	S420-4019	1351	78	1/2
9	S420-4030	1351	60	1/2
10	S420-5009	743	353	1/2
11	S420-5010	1351	37	1/2
12	S420-9007	1361	444	1/2
13	S420-9009	557	355	2/2
14	ZQ6-511	350	140	2/2
15	ZQ6-512	350	140	2/2
16	ZQ6-5025	547	127	2/2



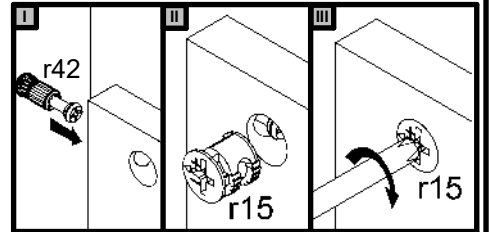
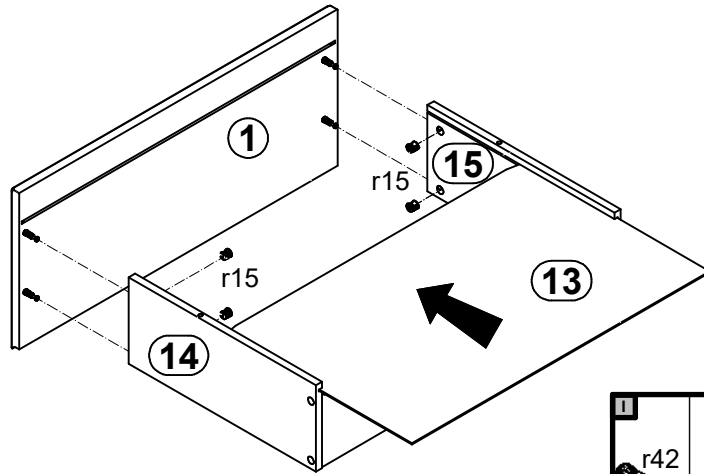
4x ∅5x17 mm d1	4x d38	5x ∅7x50 mm e1	8x ∅6x13 mm e3	20x ∅8x30 mm f1	4x ∅6.5x40 mm f25	8x k1	5x l2	1x n26
1x L=1347 mm ∅102/17 o102/17	1x 10x18 mm o83/4	1x ∅3.5x16 mm p25	1x ∅3.5x10 mm p35	5x ∅3.5x16 mm p38	10x ∅2.9x16 mm p55	16x ∅15x12 mm #16 r1	4x ∅12x10.5 mm #12 r15	20x 20/11 r42
1x 350 mm t35	1x 350mm w167/L	1x 350mm w167/P	3x s1	1x 4 mm z1	1x o70/9			



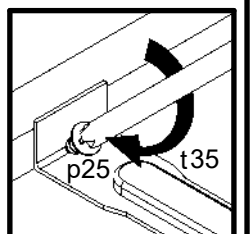
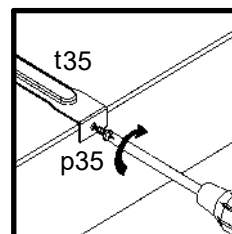
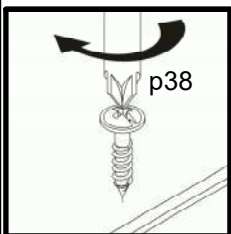
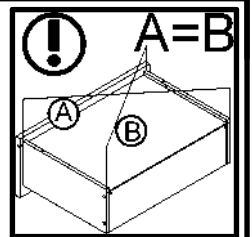
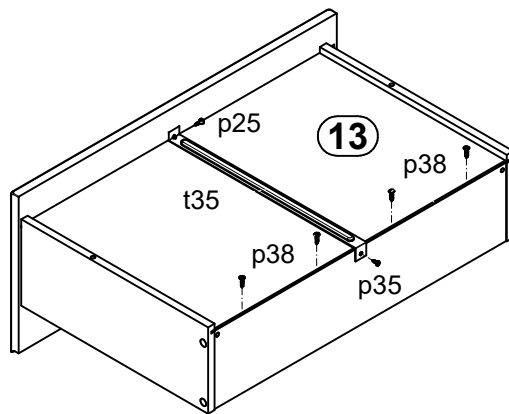
2 



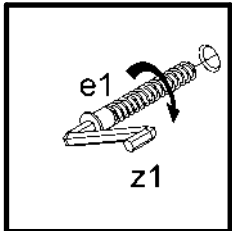
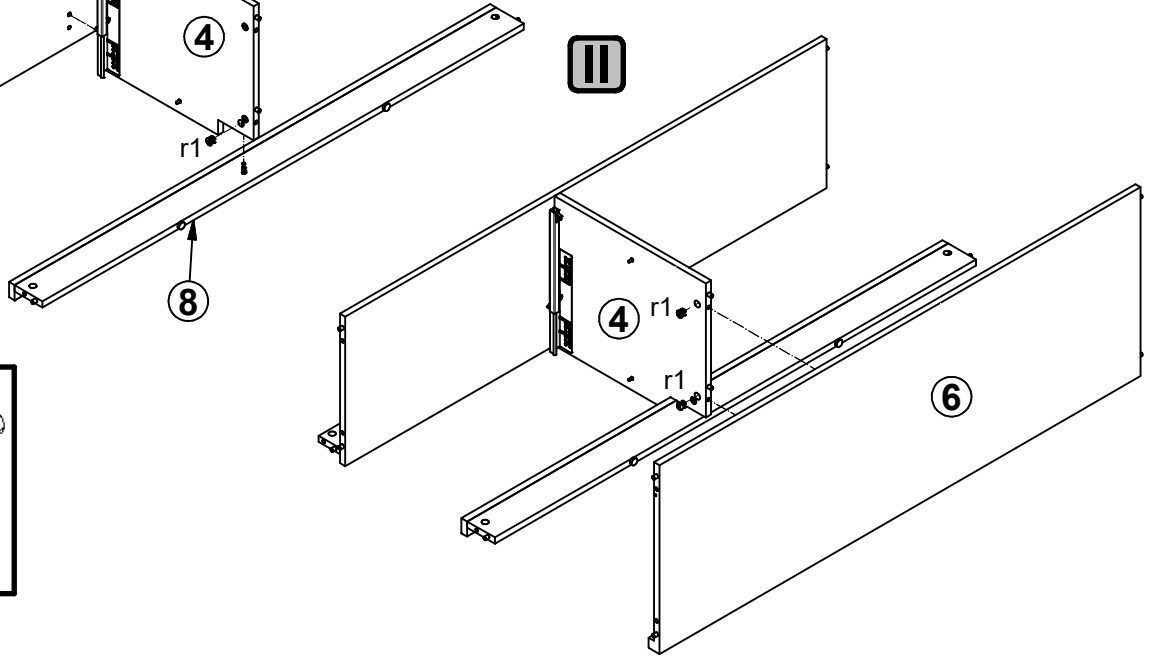
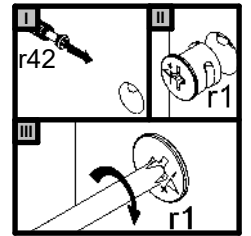
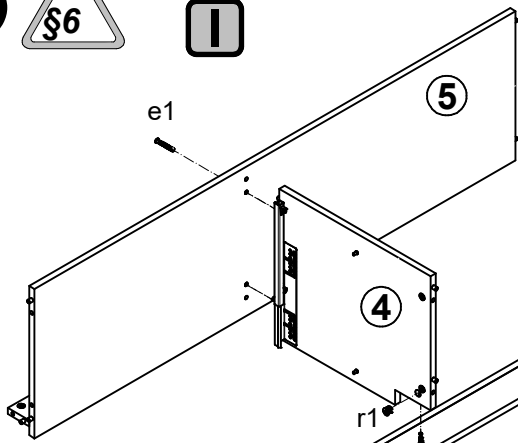
3 



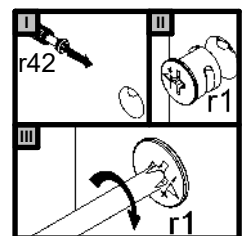
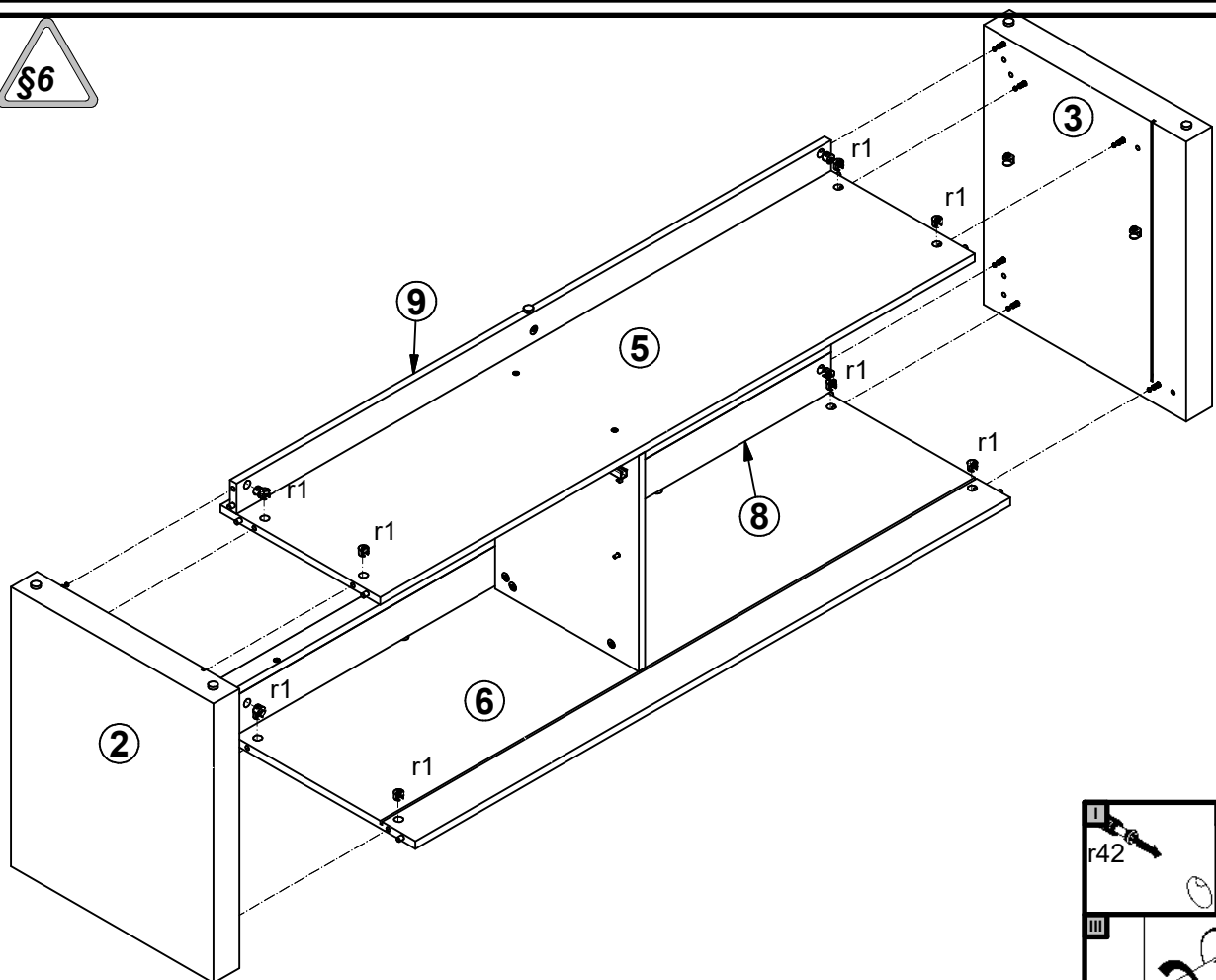
4 



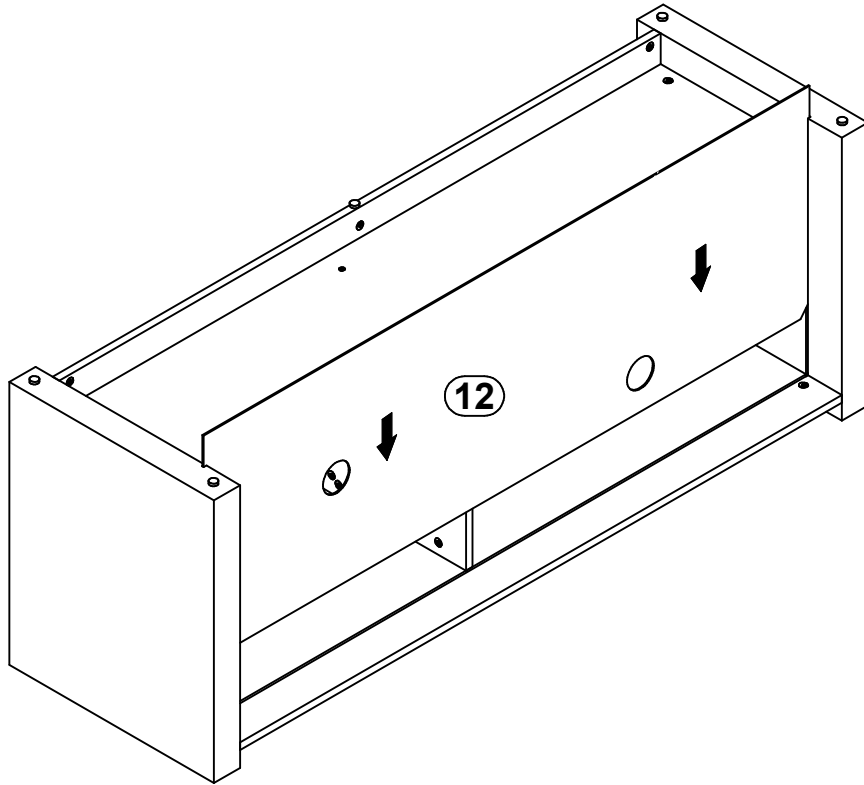
5



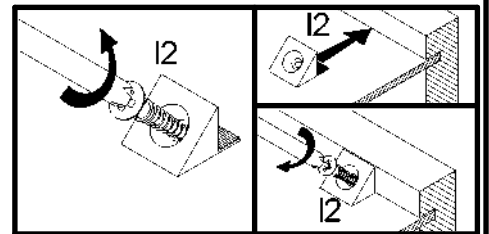
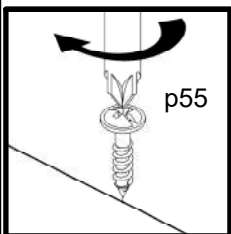
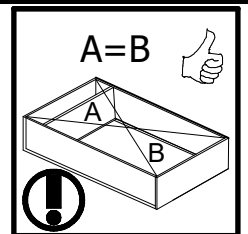
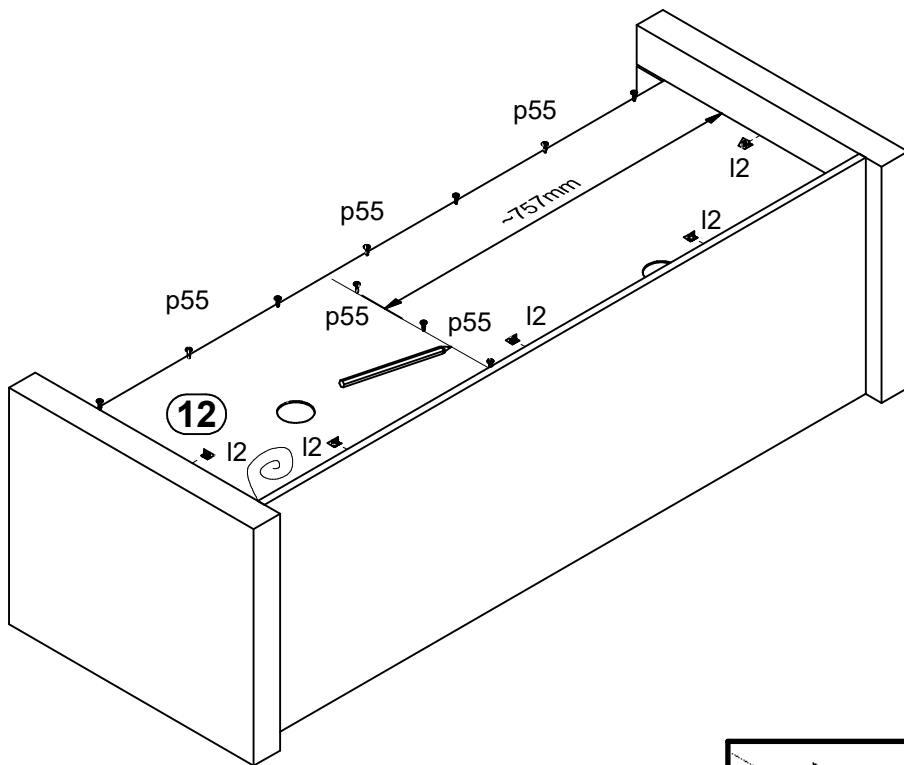
6



7 



8 



9

