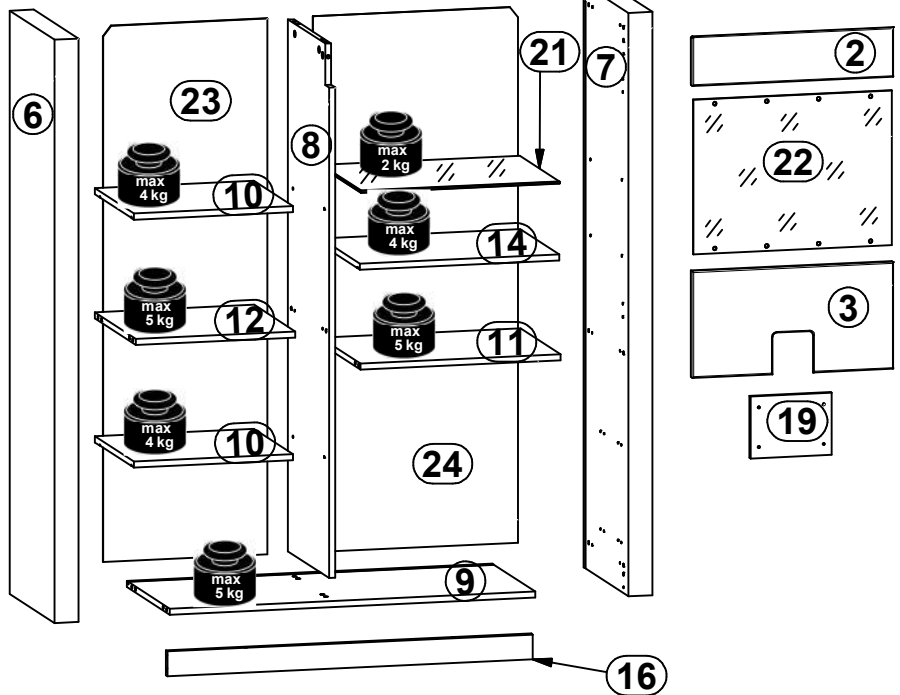
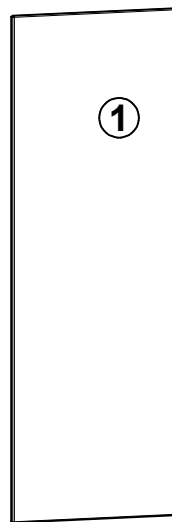
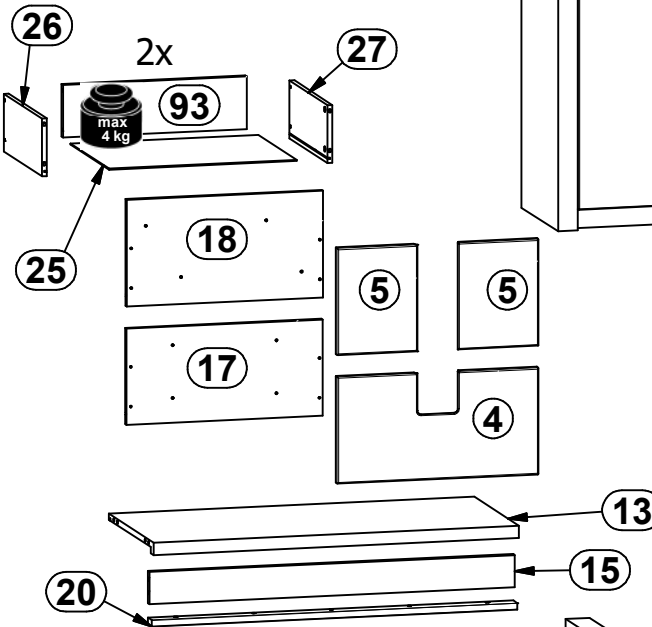
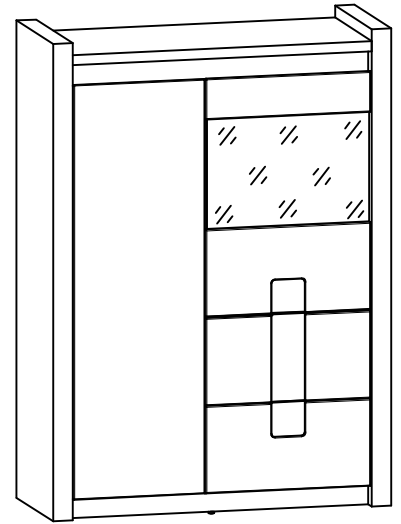
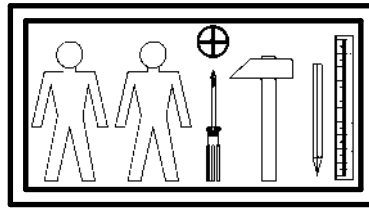
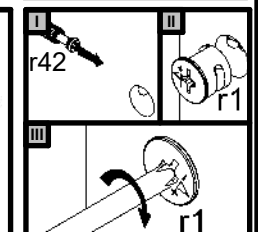
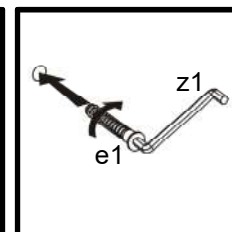
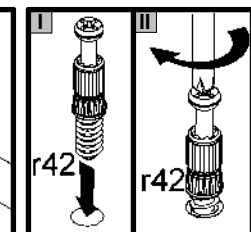
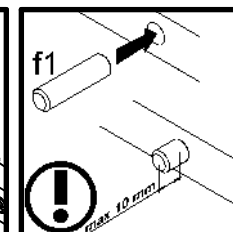
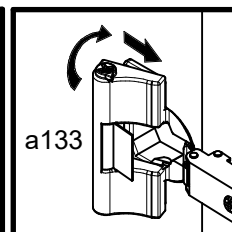
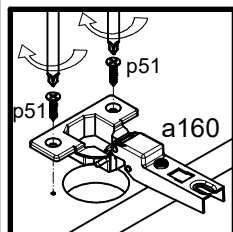
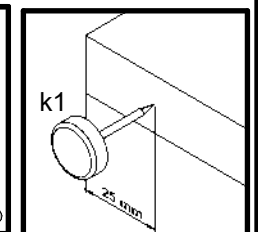
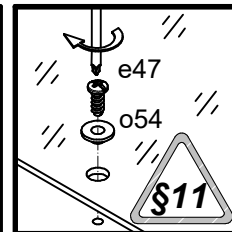
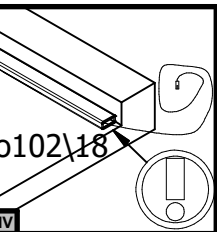
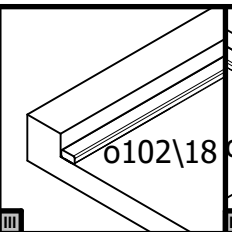
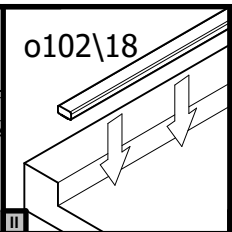
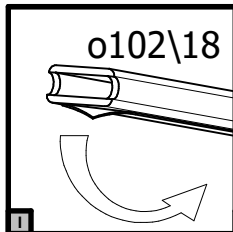
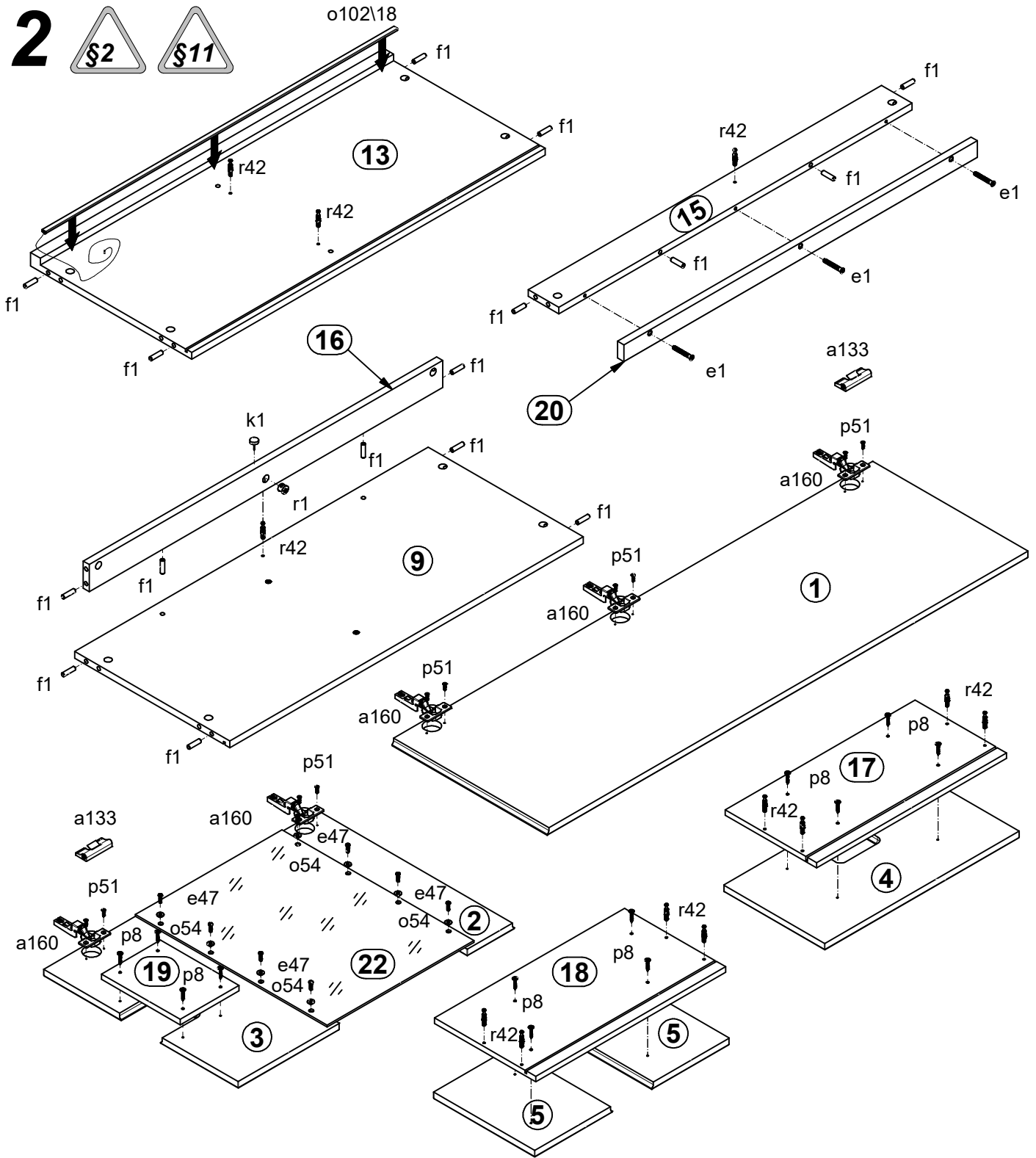


A	B	C	D
1	S420-0007	1226	396 3/3
2	S420-0008	496	120 3/3
3	S420-0009	496	258 3/3
4	S420-0010	496	258 3/3
5	S420-0011	198	258 3/3
6	S420-1005	1411	412 1/3
7	S420-1006	1411	412 1/3
8	S420-1007	1286	379 1/3
9	S420-3004	901	395 2/3
10	S420-3005	392	359 2/3
11	S420-3006	493	368 2/3
12	S420-3007	393	378 2/3
13	S420-3008	901	411 2/3
14	S420-3010	492	359 2/3
15	S420-4004	901	78 2/3
16	S420-4006	901	60 2/3
17	S420-4007	484	233 3/3
18	S420-4008	484	258 3/3
19	S420-4009	200	150 3/3
20	S420-5003	901	37 2/3
21	S420-5004	491	366 2/3
22	S420-5005	374	489 2/3
23	S420-9003	1296	405 3/3
24	S420-9004	1296	506 3/3
25	S420-9005	463	355 2/3
26	ZQ6-511	350	140 2/3
27	ZQ6-512	350	140 2/3
93	ZQ6-5023	453	127 2/3

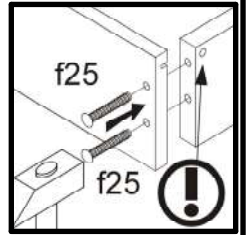
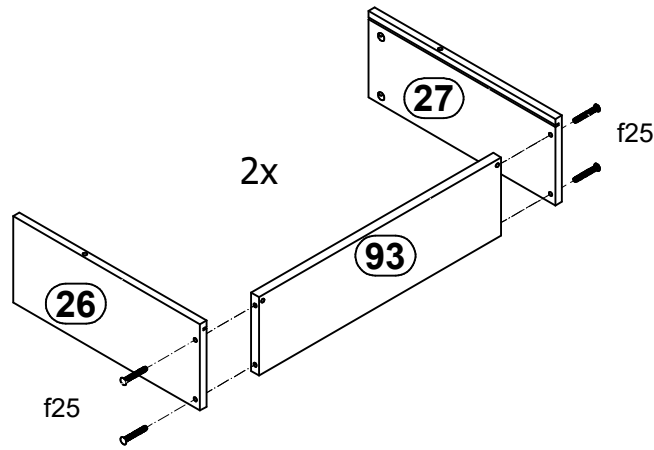


2x a133	5x a160	5x b43	12x Ø5x17 mm d1	4x Ø5x17 mm d3	5x Ø7x50 mm e1	10x Ø6,3x13 mm e2	16x Ø6x13 mm e3	12x Ø4x25 mm p8
8x Ø5x16 mm e47	28x Ø8x30 mm f1	8x Ø6,5x40 mm f25	5x k1	10x l2	5x 22x9,5x20,7 mm n108	1x o70/9	1x L=897 mm o102/18	8x Ø5,3/Ø8,3x4,8 mm o54
1x 10x18 mm o83/4	7x Ø3,5x16 mm p38	10x Ø3,5x15 mm p51	15x Ø2,9x16 mm p55	24x Ø15x12 mm #16 r1	8x Ø12x10,5 mm #12 r15	32x 20/11 r42	2x 350mm w167/L	2x 350mm w167/P
3x s1	1x 4 mm z1	1x n26	5x Ø16 s2					

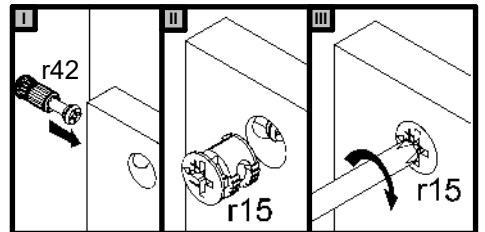
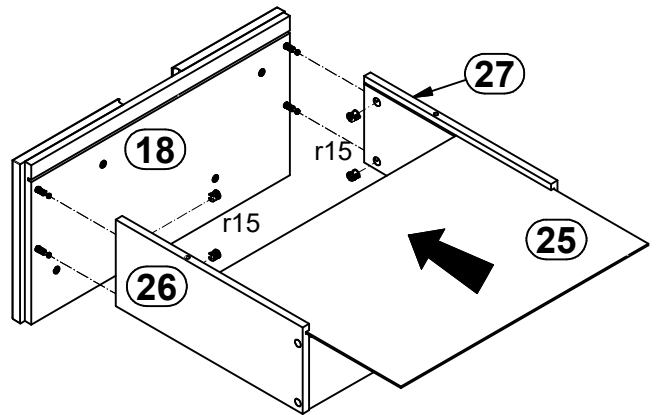
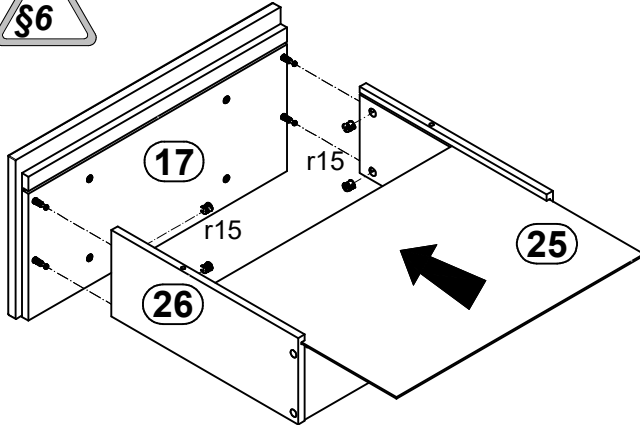
2



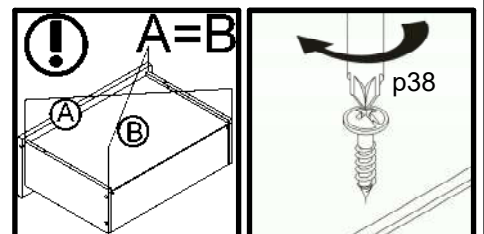
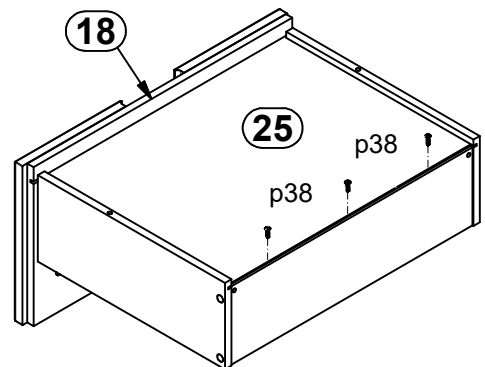
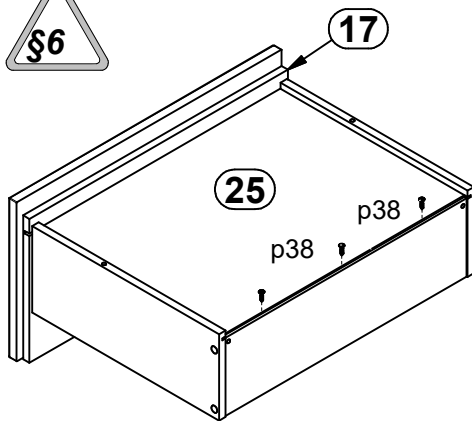
3



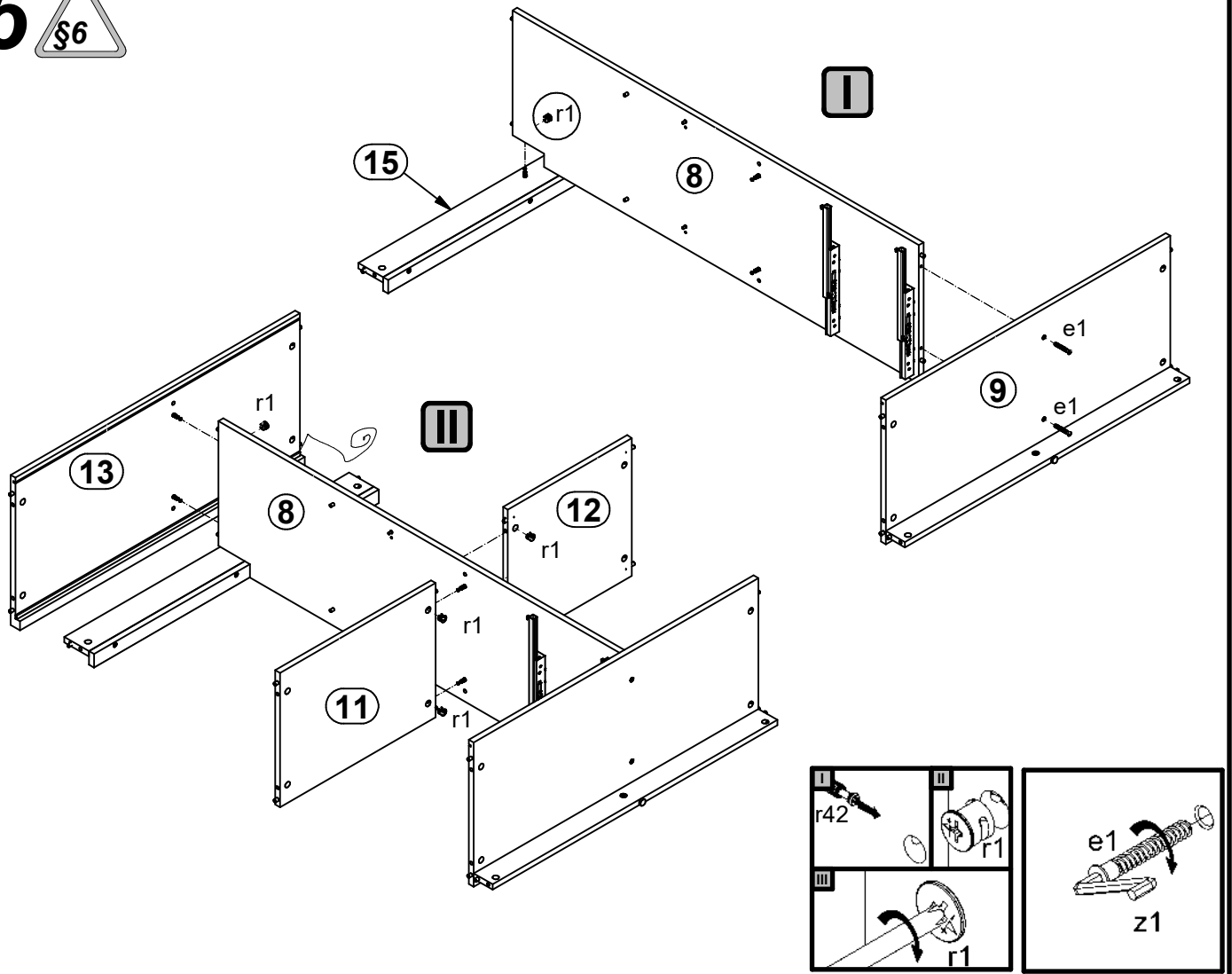
4



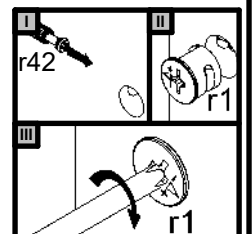
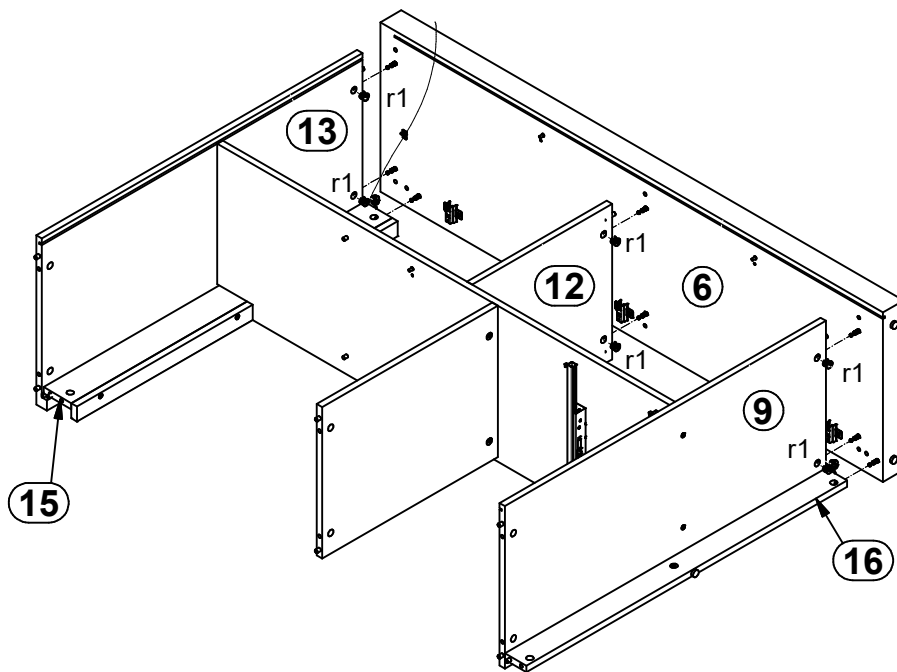
5



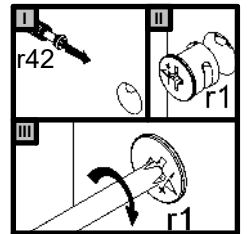
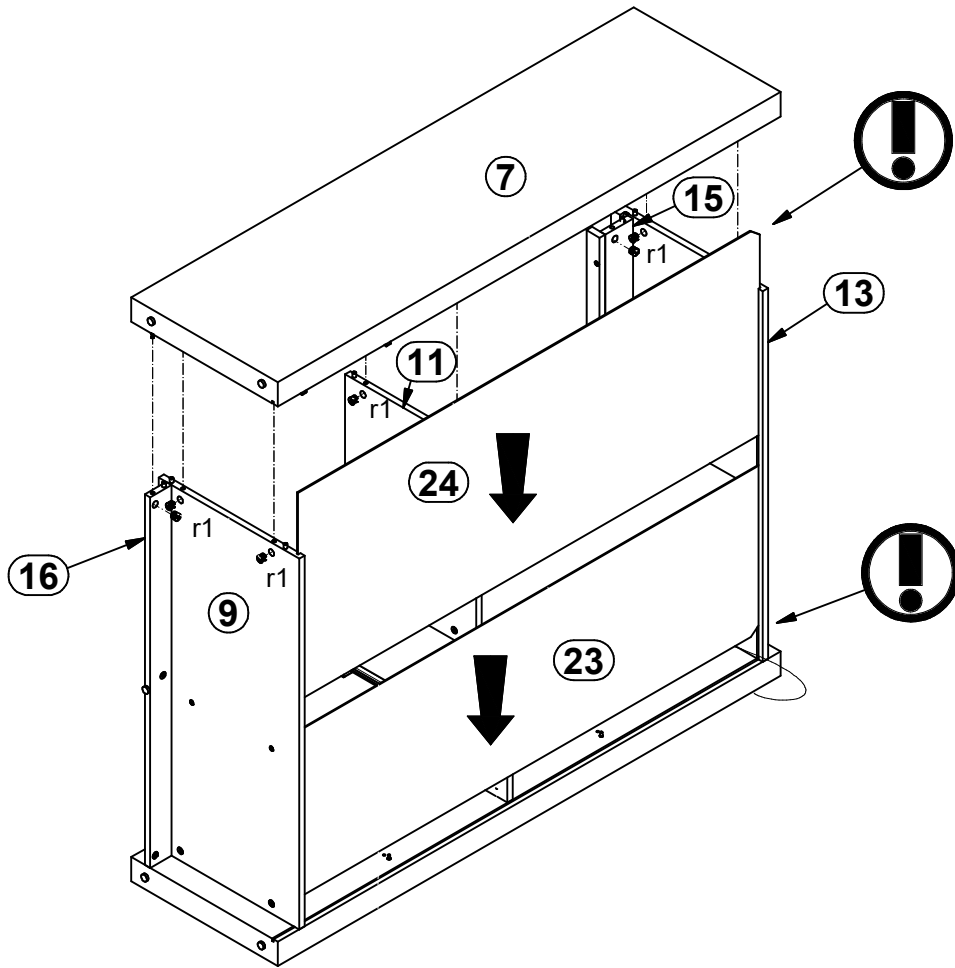
6



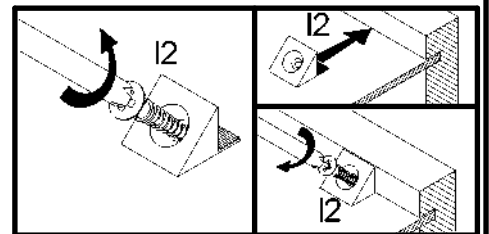
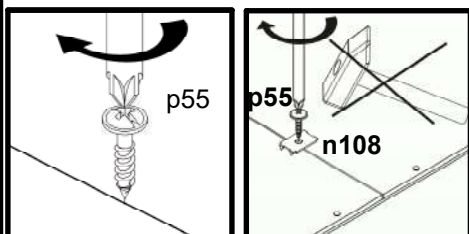
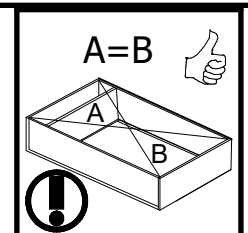
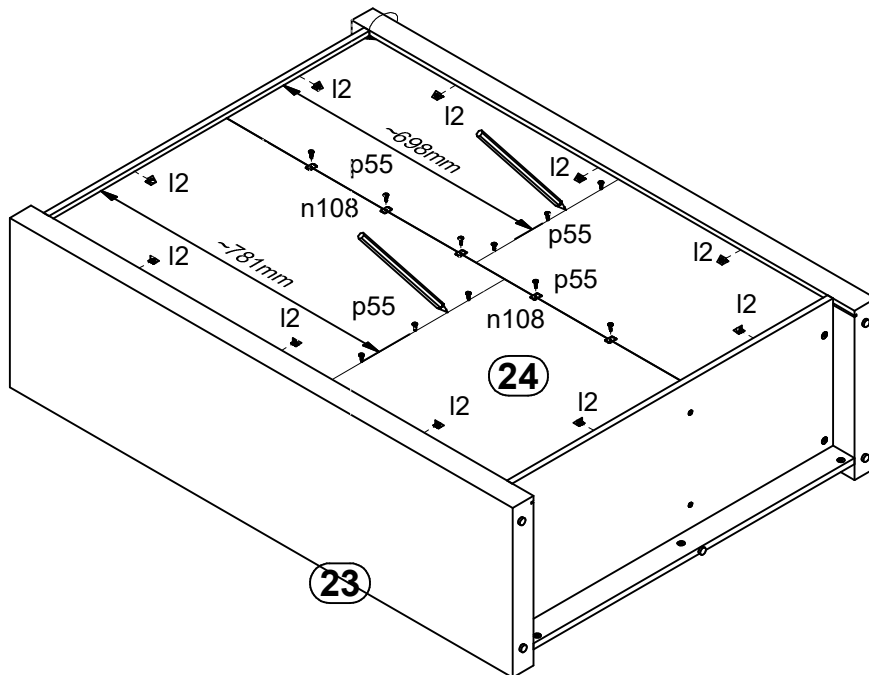
7



8 



9 



10

