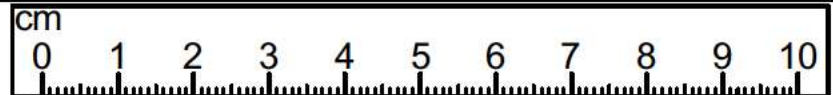
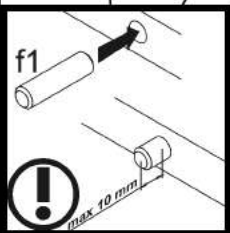
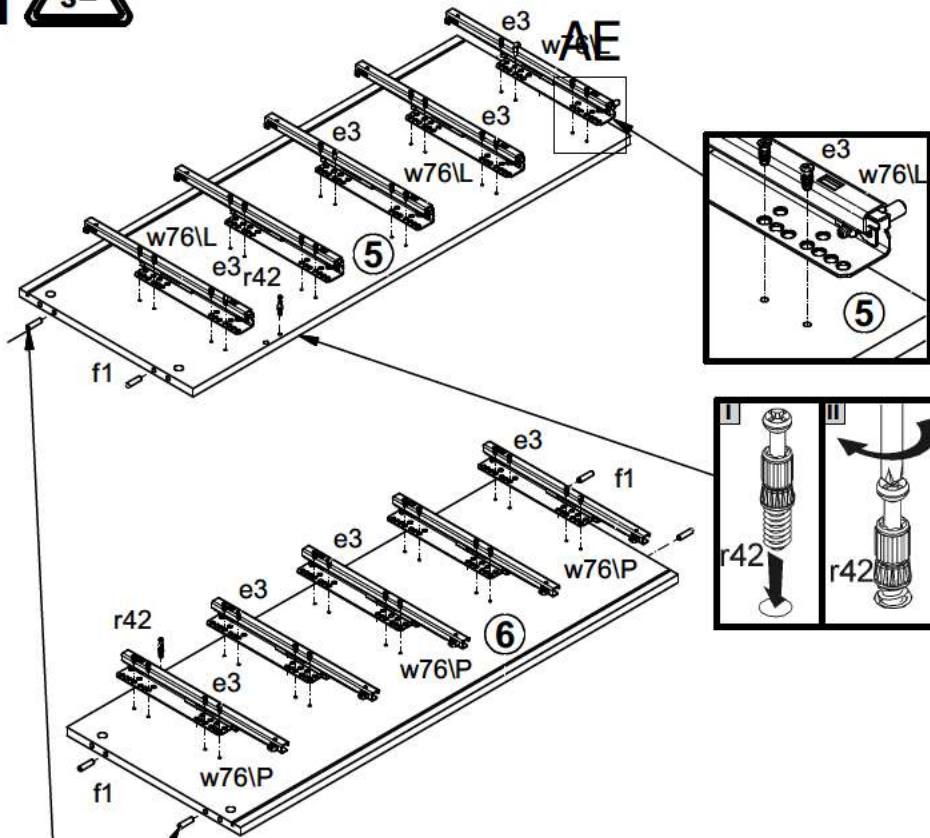


A	B	C (mm)	D
1	S205 005	200	596
2	S205 006	200	596
3	S205 007	200	596
4	S205 008	200	596
5	S205 103	984	390
6	S205 104	984	390
7	S205 203	600	390
8	S205 204	600	390
9	S205 501	350	105
10	S205 502	350	105
11	S205 504	527	91
12	S205 572	567	70
13	S205 902	541	358
14	S205 952	994	288
15	Lh 980	980	14

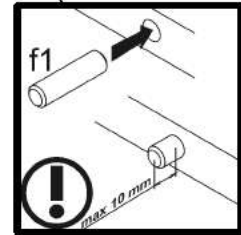
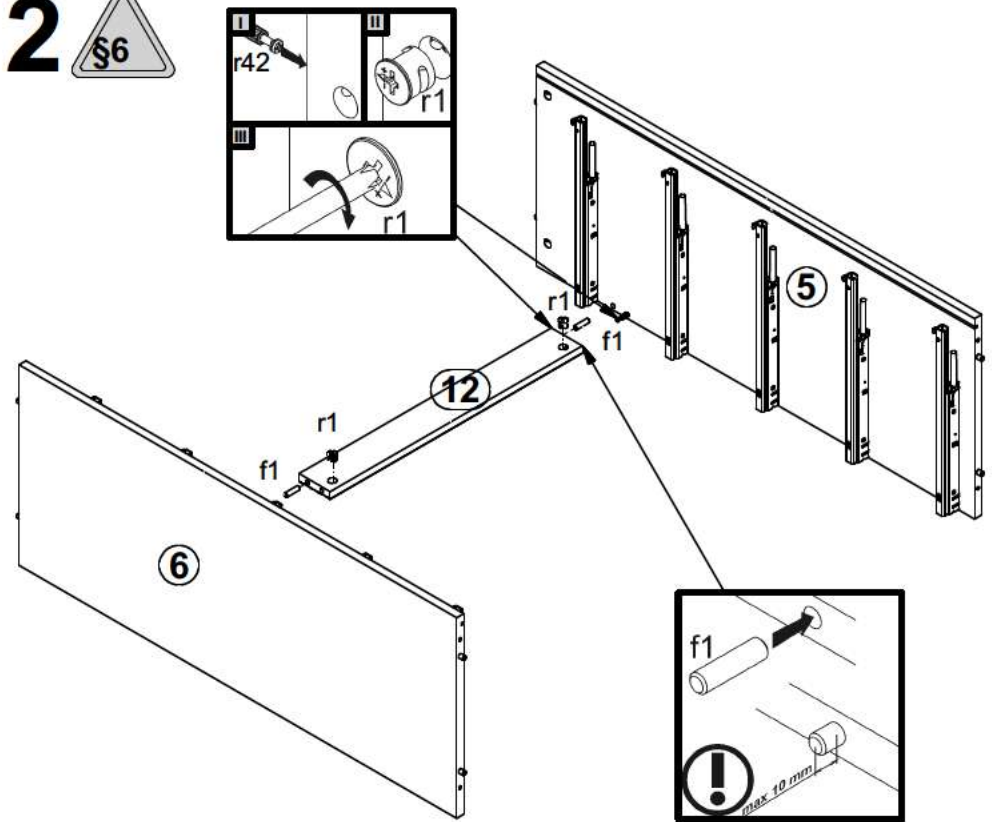


- | | | | | | | | | | | | |
|------------------------------|------------------------------|-------------------------------|---------------------------------|----------------------------------|------------------------------|---------------------------------|-------------------------|-------------------|---------------------------------|-----------------|-----------------------------|
| 24x
φ7x50 mm
e1 | 10x
i2 | 2x
k84 | 10x
φ2,9x16 mm
p55 | 26x
φ15x12mm #16
r1 | 20x
φ8x30 mm
f1 | 40x
φ6x13 mm
e3 | 22x
ø16
s2 | 26x
r42 | 10x
φ3,5x16 mm
p25 | 1x
z1 | 4x
φ4x35 mm
p6 |
| 1x
φ10x50 mm
f3 | 1x
φ5x60 mm
p17 | 5x
350 mm
w76\ P | 5x
350 mm
w76\ L | 5x
350 mm
t35 | 2x
k85 | 27x
φ3,5x16 mm
p38 | 1шт.
n26 | | | | |

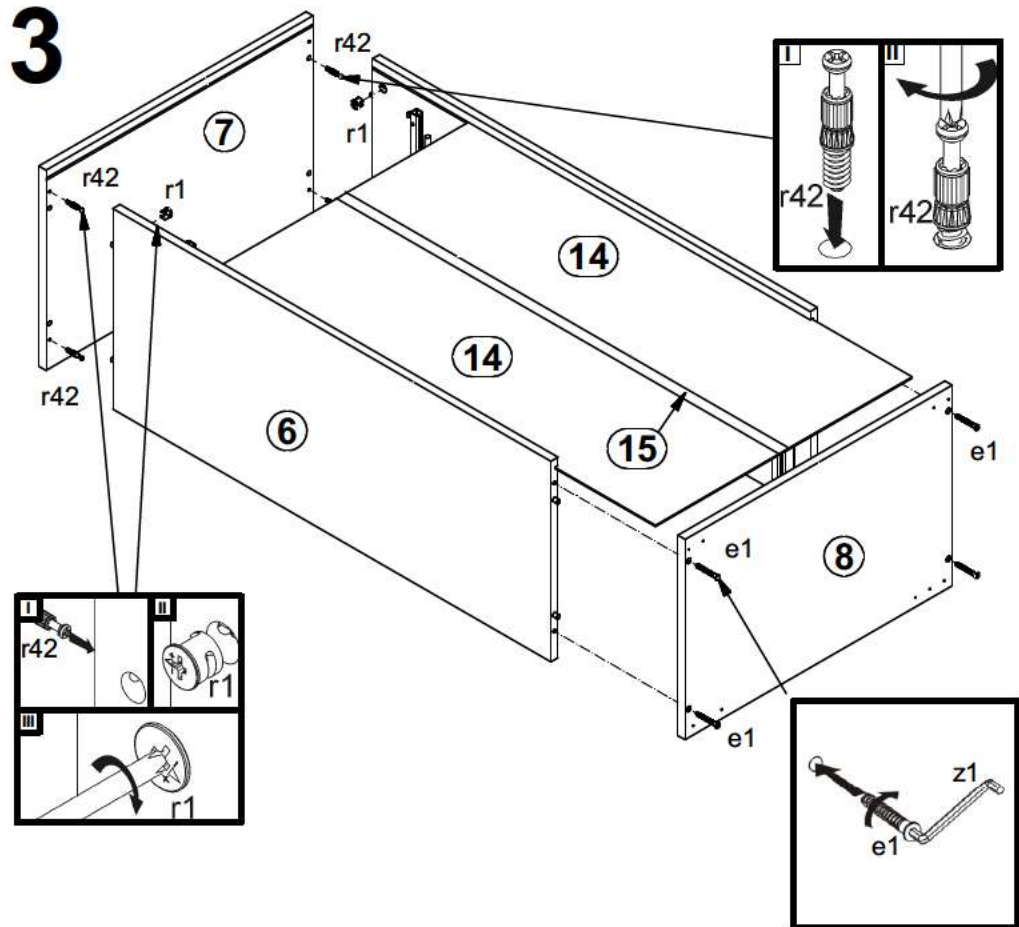
1



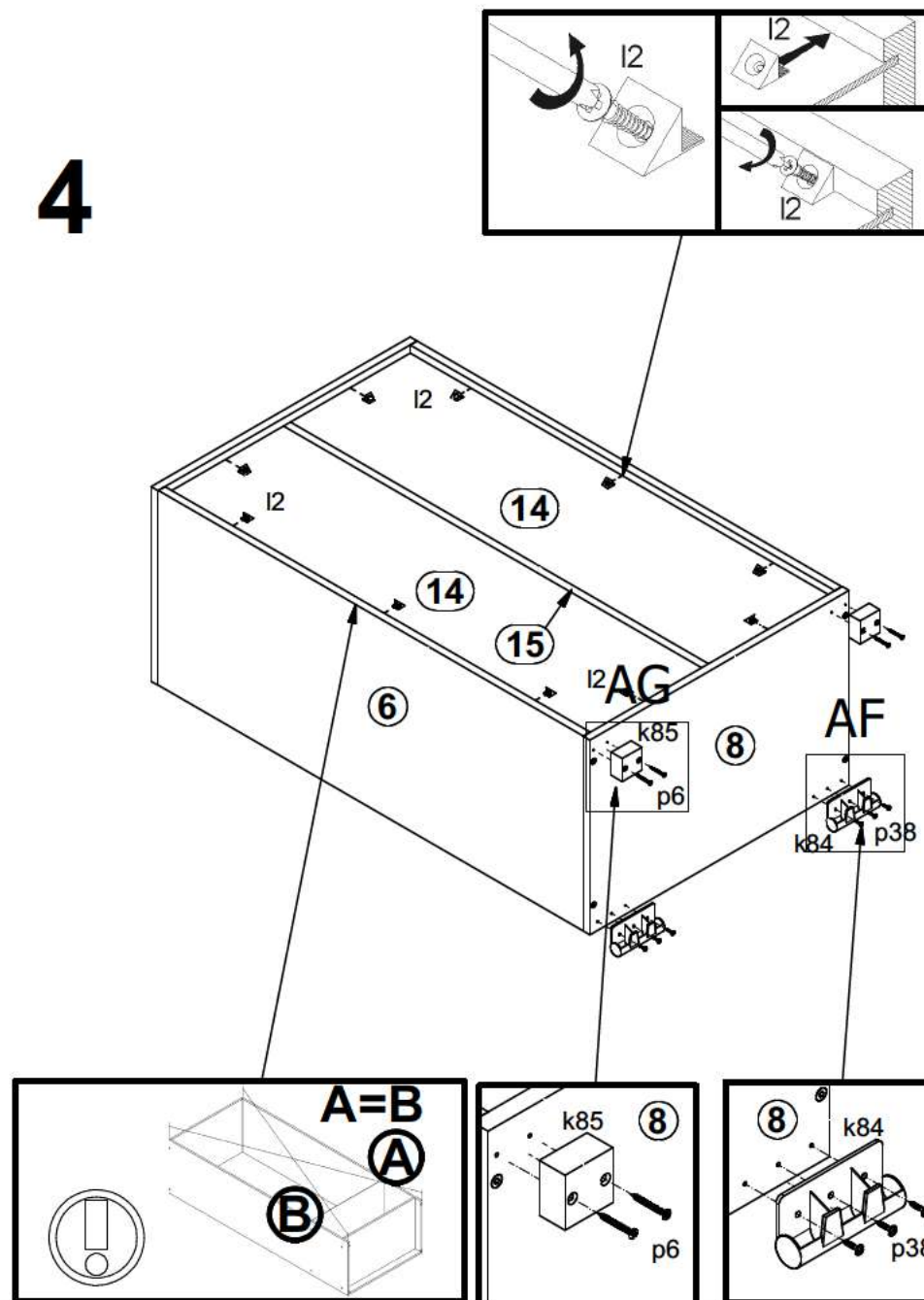
2



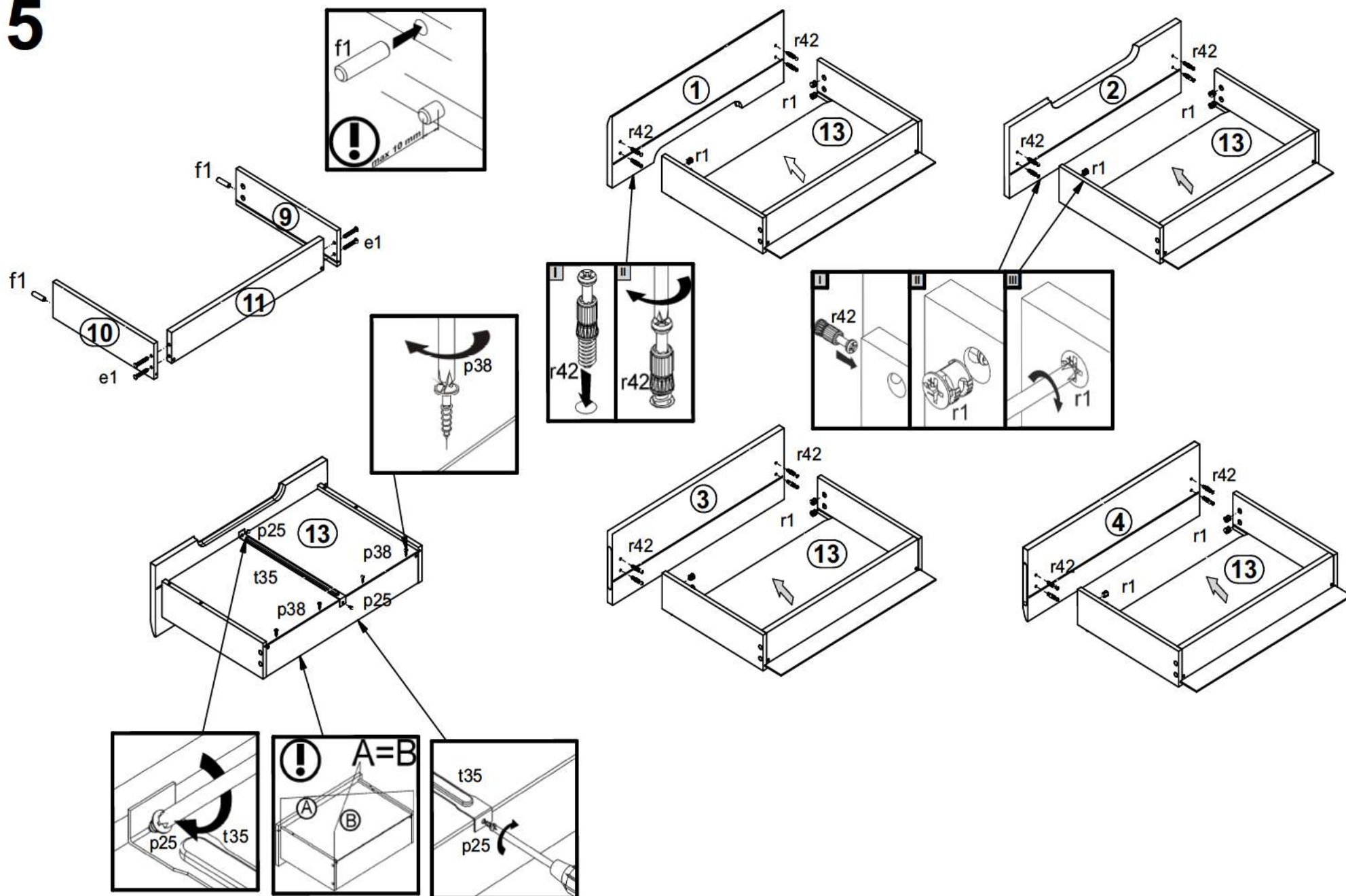
3



4



5



8

