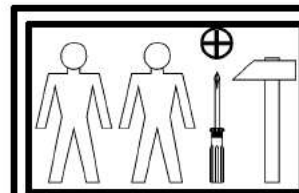
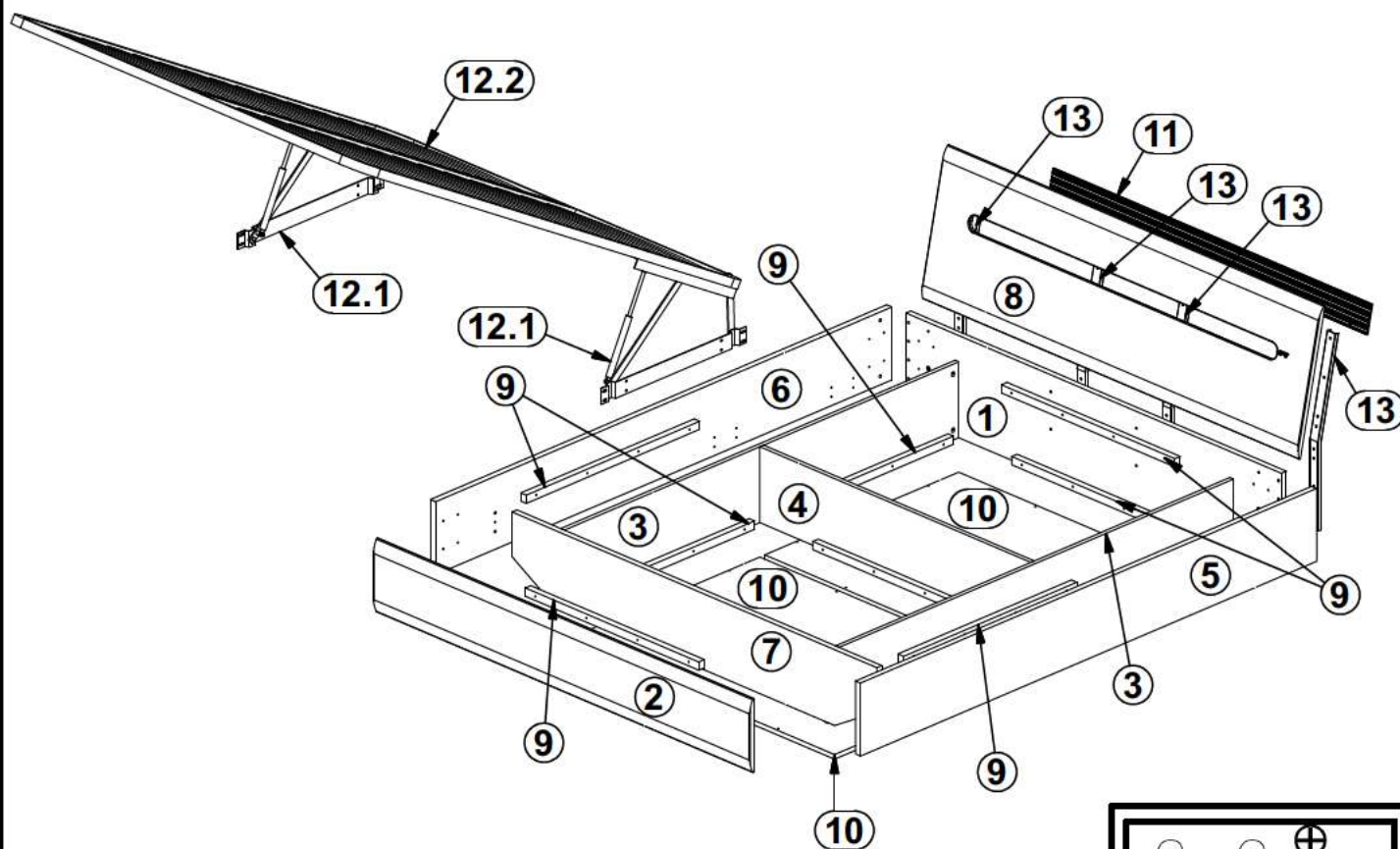
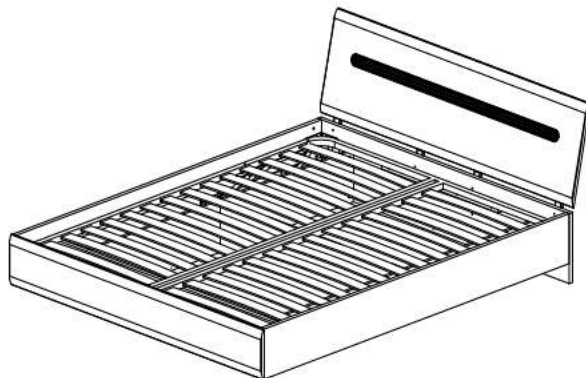


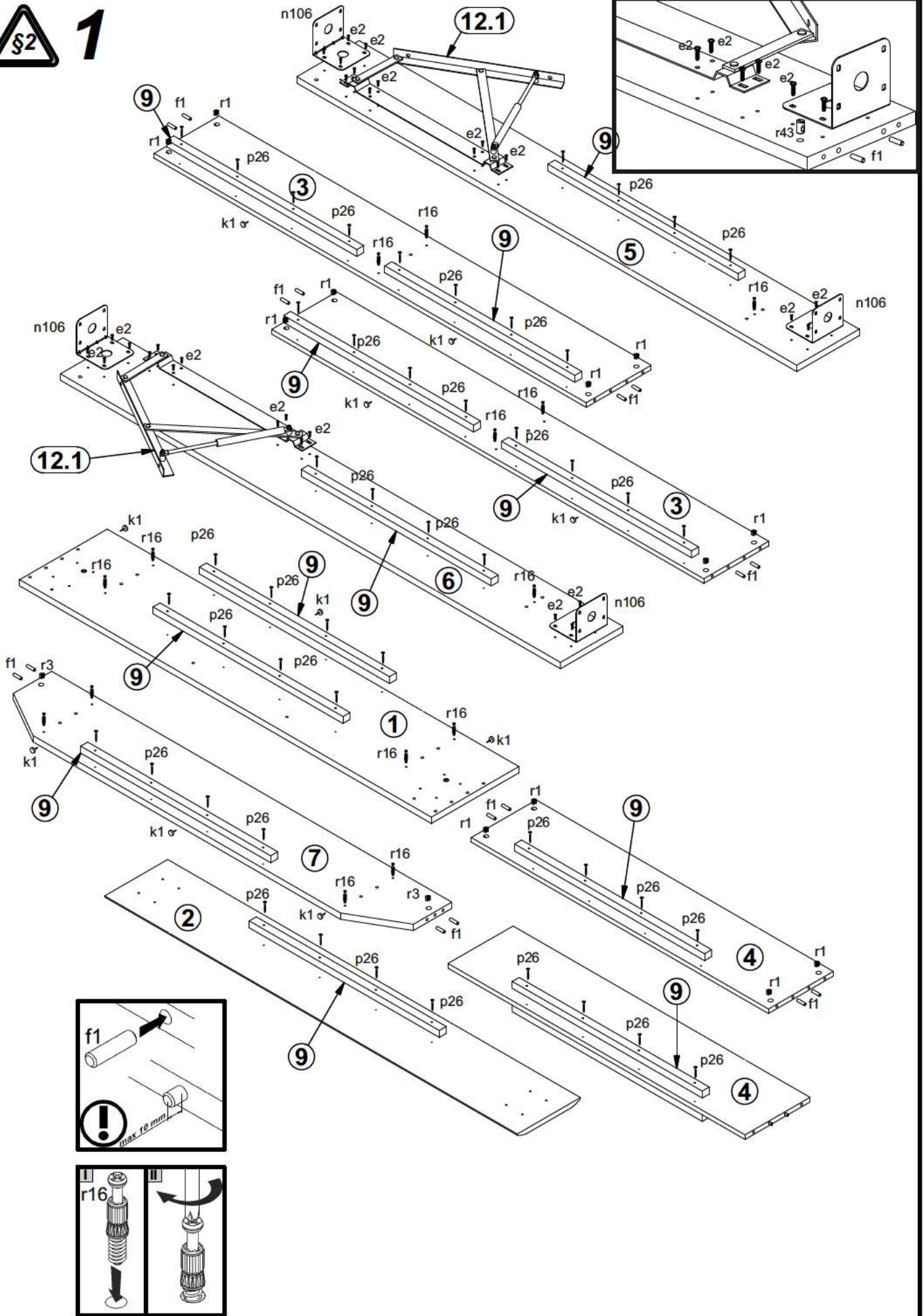
| A | B | C | D | |
|----|---------------------------|------|------|-----|
| 1 | S205 047 | 1646 | 350 | 2/6 |
| 2 | S205 048 | 1650 | 252 | 3/6 |
| 3 | S205 170 | 1728 | 260 | 2/6 |
| 4 | S205 171 | 1188 | 260 | 2/6 |
| 5 | S205 172 | 2000 | 250 | 1/6 |
| 6 | S205 173 | 2000 | 250 | 1/6 |
| 7 | S205 174 | 1600 | 260 | 2/6 |
| 8 | S205 707 | 1650 | 503 | 3/6 |
| 9 | S205 511 | 760 | 28 | 2/6 |
| 10 | S205 512 | 851 | 1178 | 4/6 |
| 11 | S205 5584 | 1397 | 100 | 3/6 |
| 12 | Основание с подъемн. мех. | | | 5/6 |
| 13 | п64 | | | 6/6 |



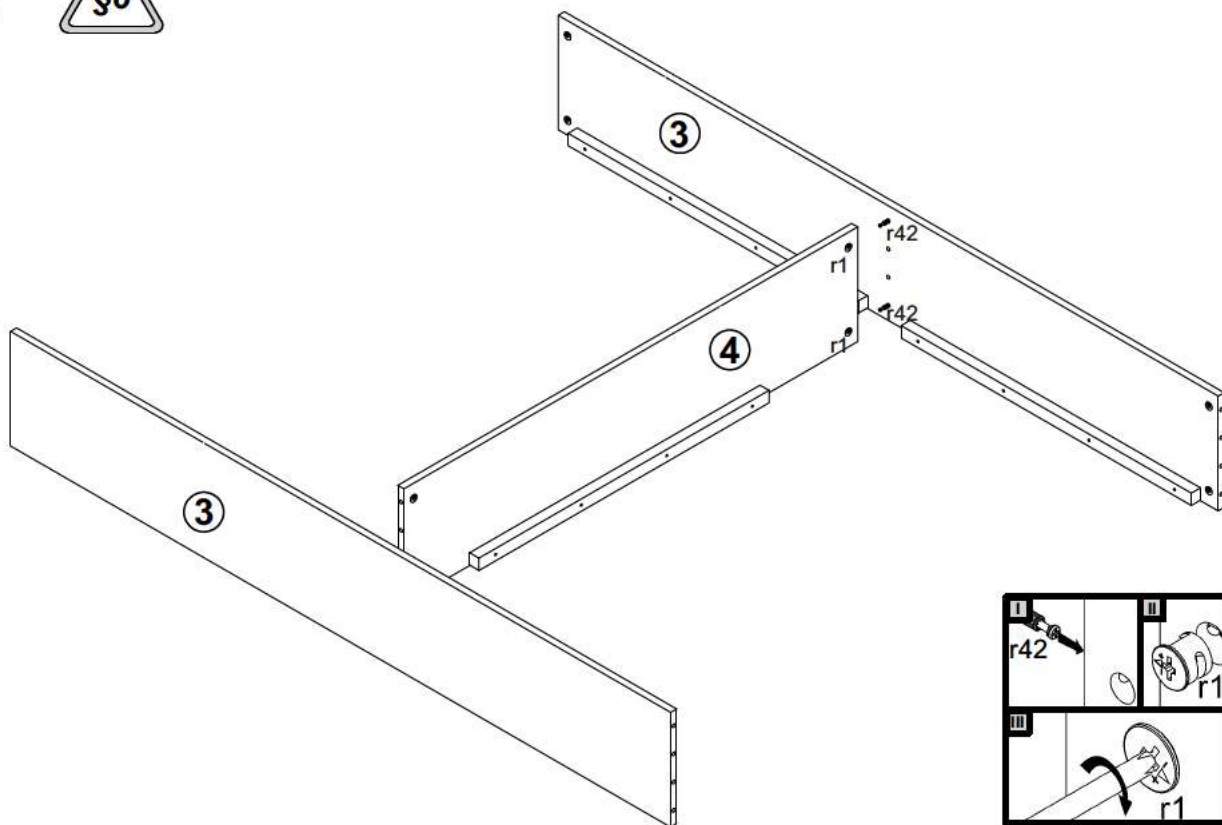
| | | | | | | | | |
|-------------------------|-------------------------|------------------------|------------------------|------------------------|---------------------------|------------|------------------------------|------------------------|
| 4x 46 3x20 mm e17 | 54x 46 3x13 mm e2 | 20x 48x30 mm f1 | 8x M6 j10 | 8x 46x35 mm j115 | 4x M6x84 mm j117 | 10x k1 | 8x 40x1214 mm o40 | 4x 13x476 mm o81 |
| 8x 43 5x16 mm p38 | 24x 43x30 mm p125 | 48x 44x35 mm p26 | 4x 410x16 mm r43 | 1x z1 | 12x 15x12 mm #16 r1 | 14x r42 | 4x 115x115x122 mm n106 | |



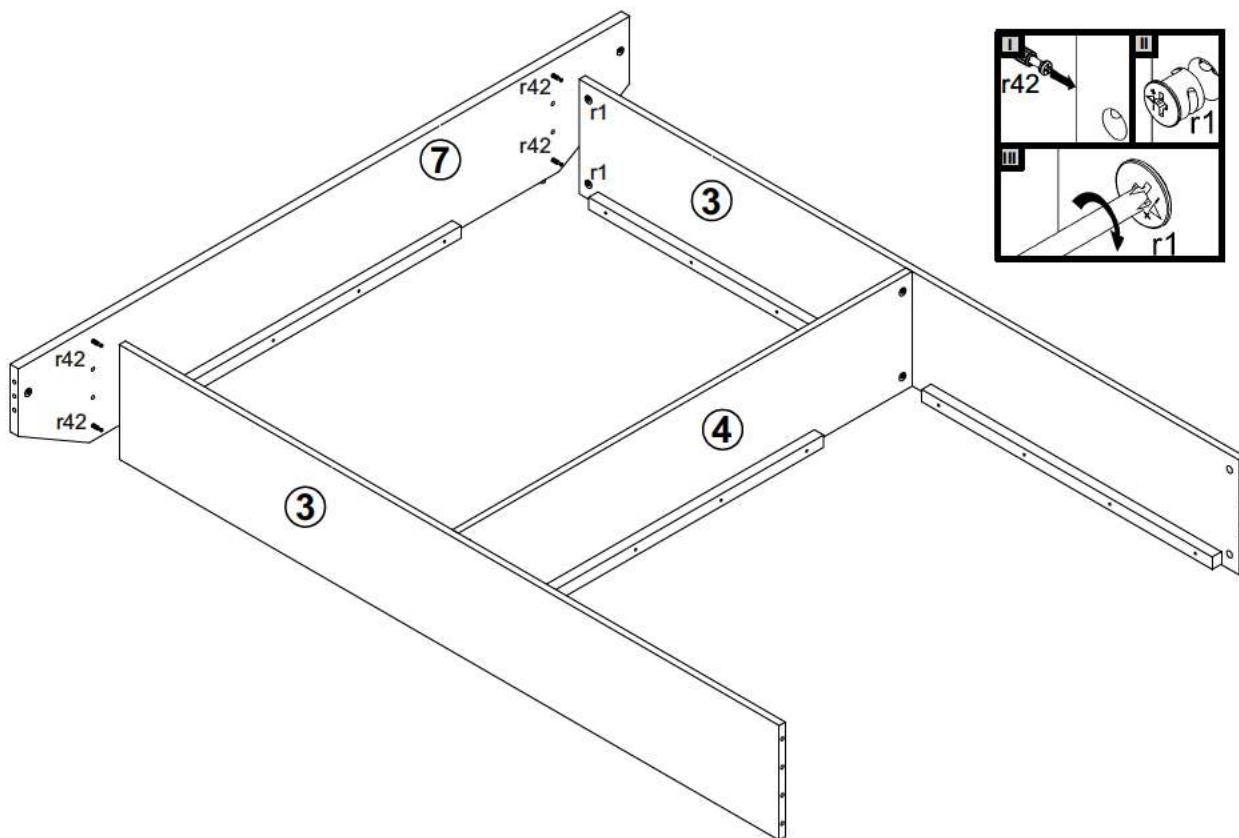
1

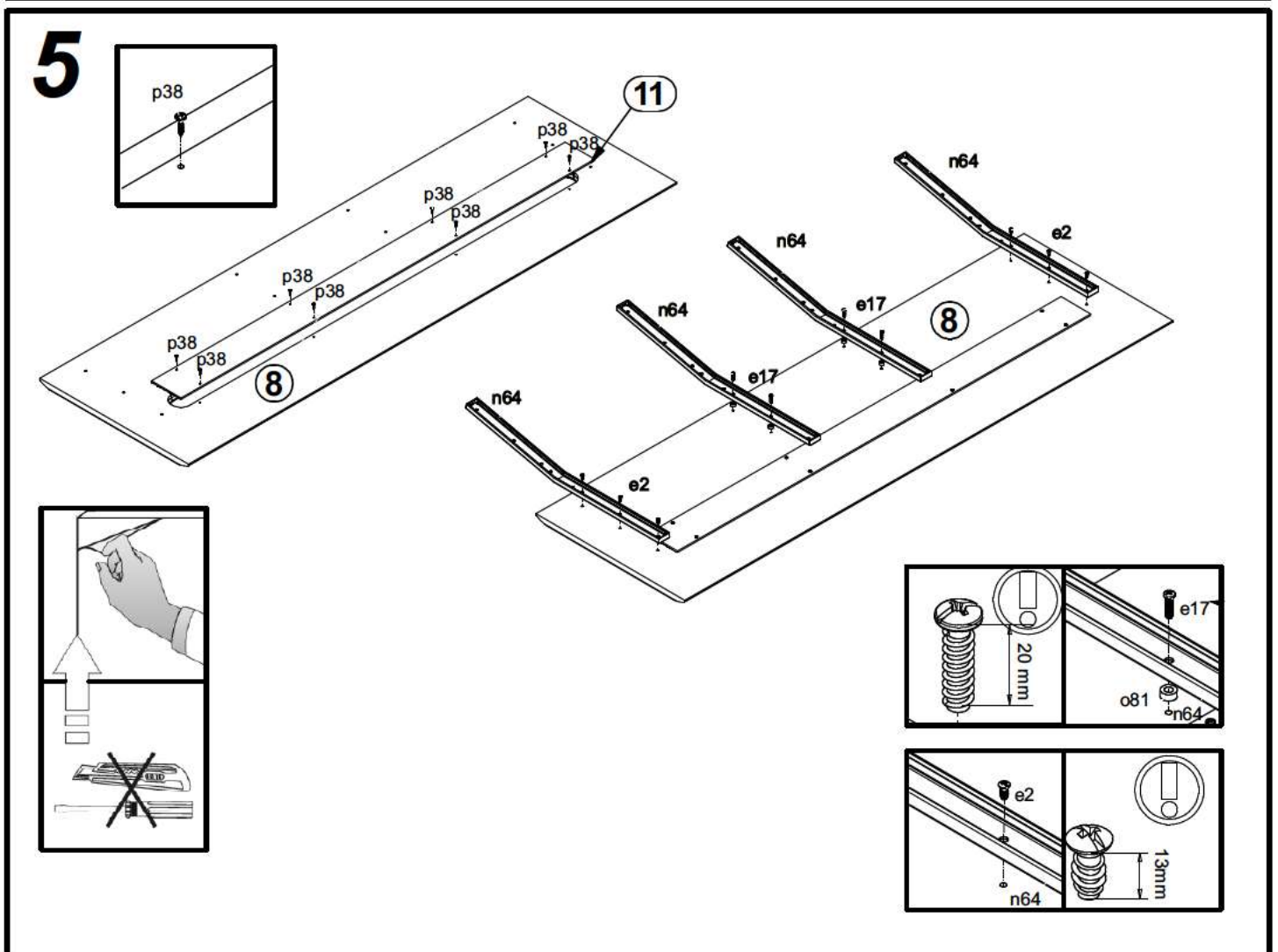
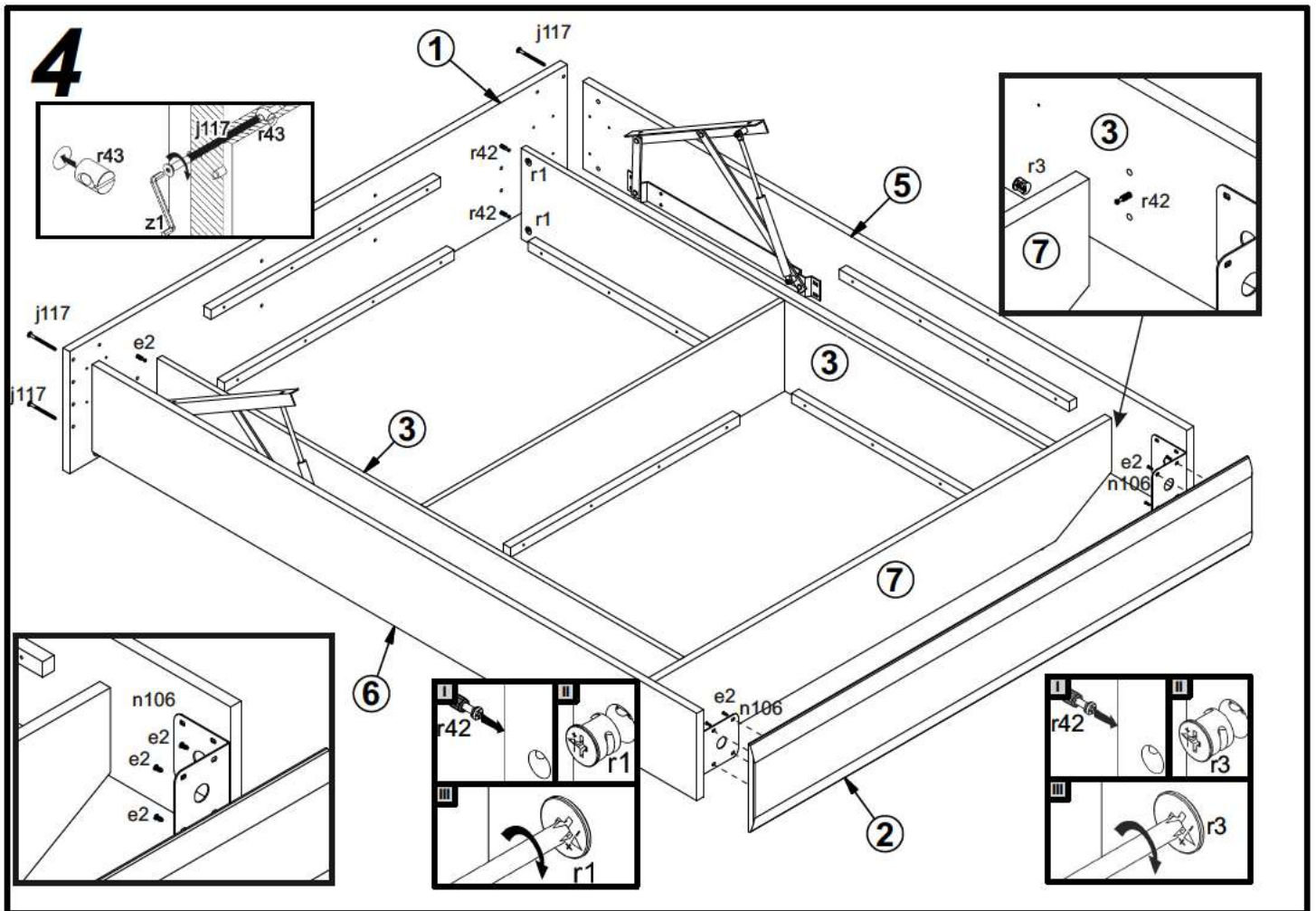


2

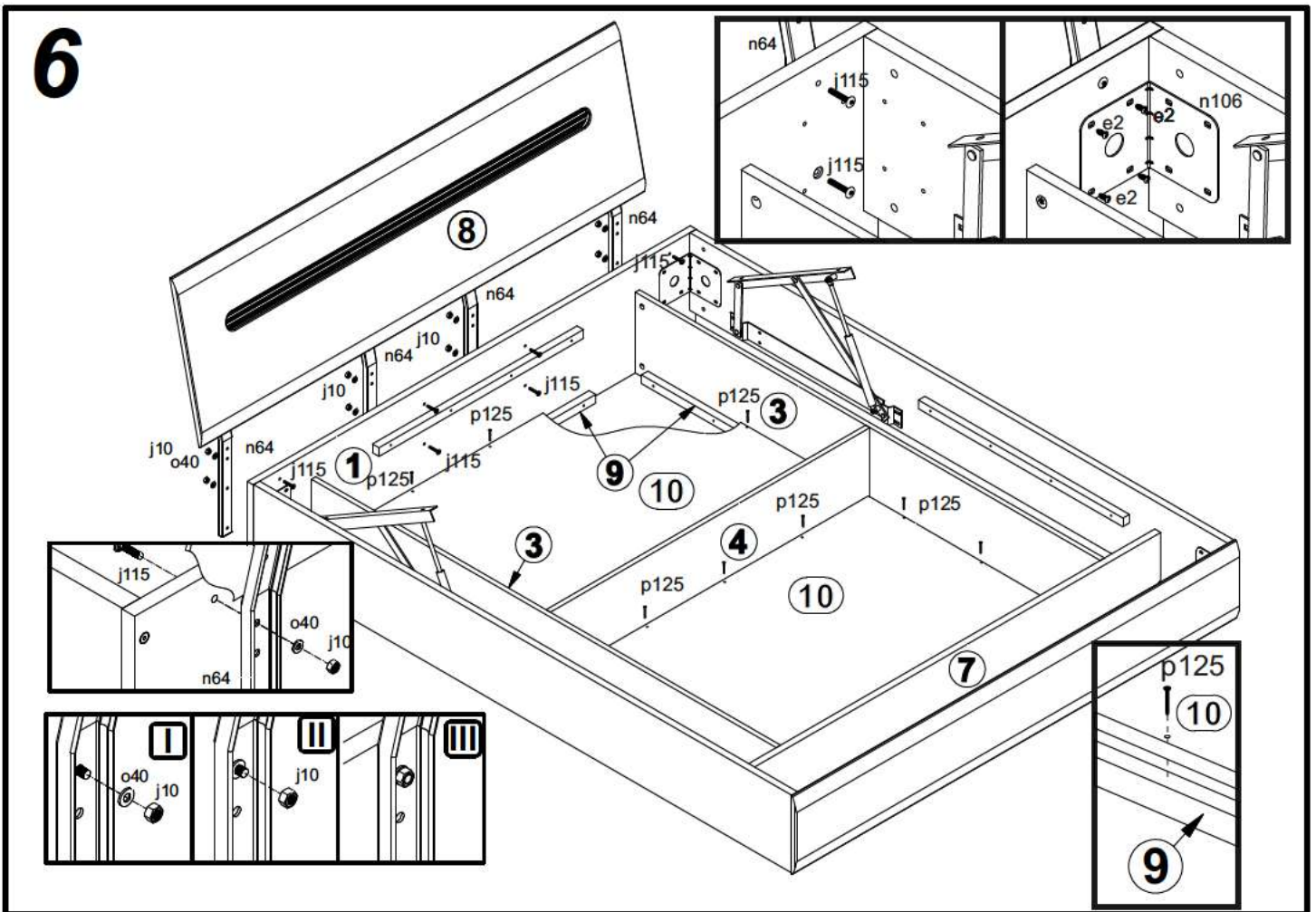


3





6



7

