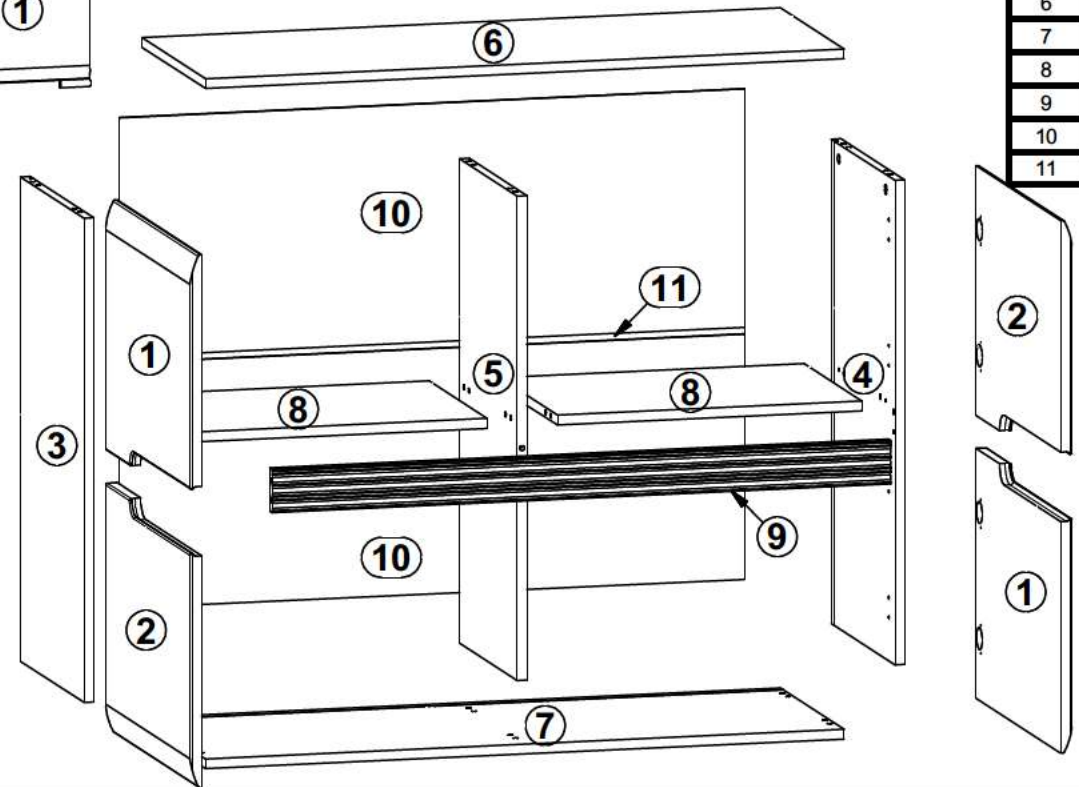
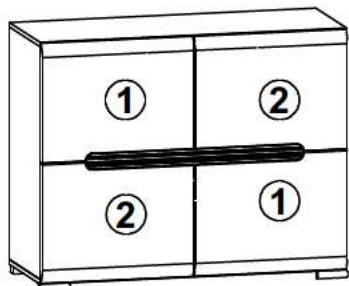


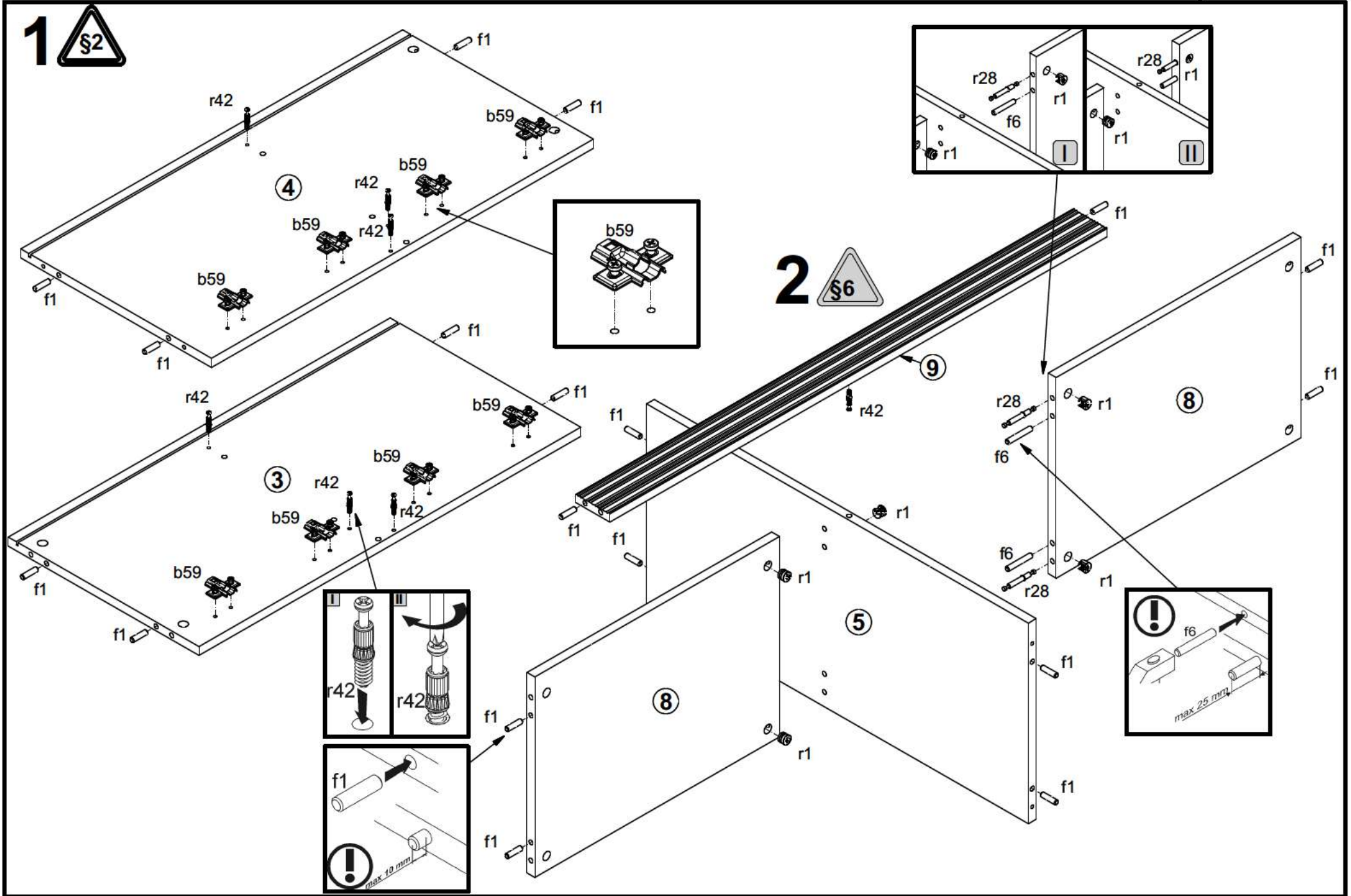
90 min



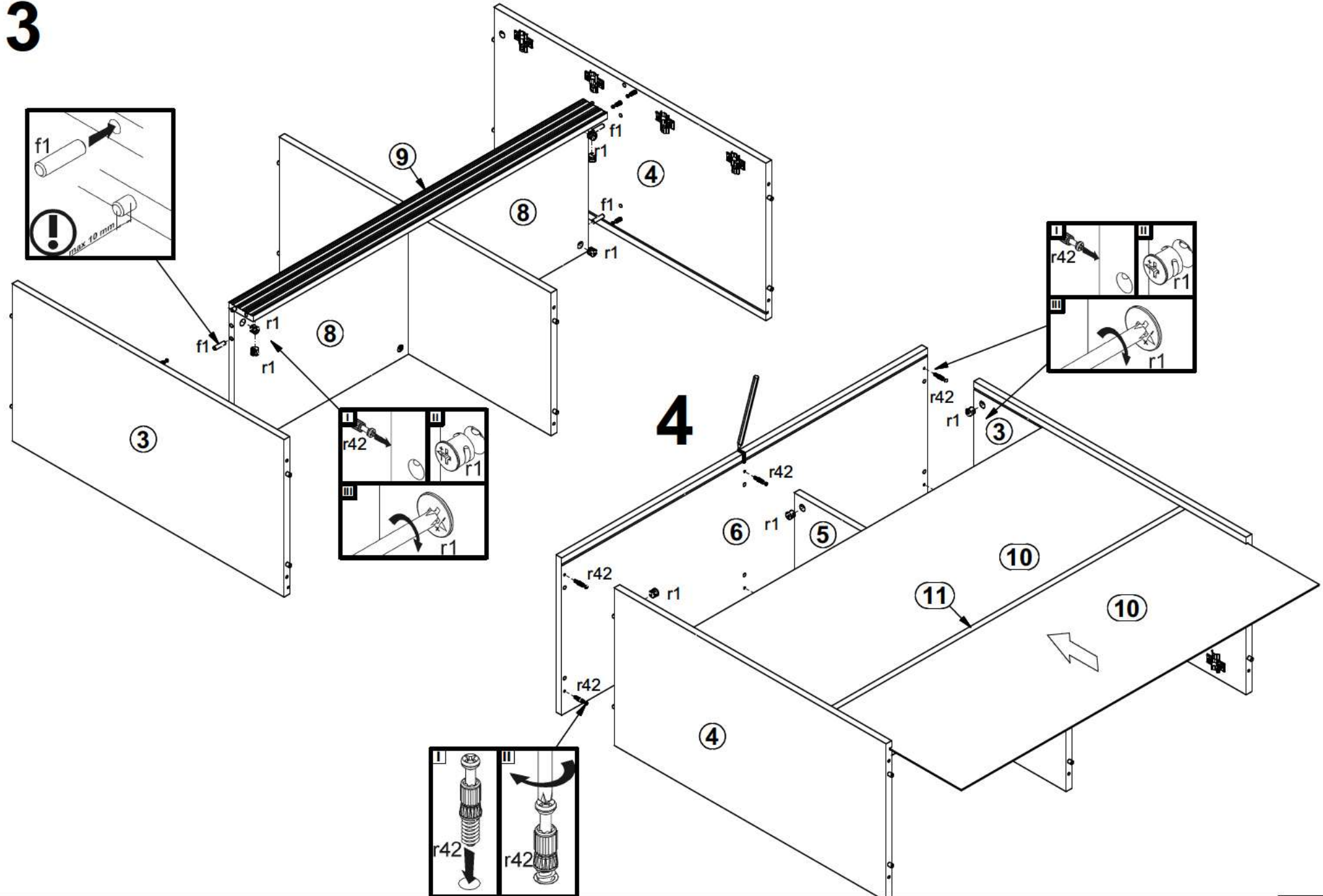
A	B	C (mm)		D
1	S205 009	403	521	2/2
2	S205 010	403	521	2/2
3	S205 105	781	390	1/2
4	S205 106	781	390	1/2
5	S205 107	781	354	1/2
6	S205 205	1050	390	1/2
7	S205 206	1050	390	1/2
8	S205 301	500	354	1/2
9	S205 571	1017	70	1/2
10	S205 951	1027	395	1/2
11	Lh 1010	1010	14	1/2

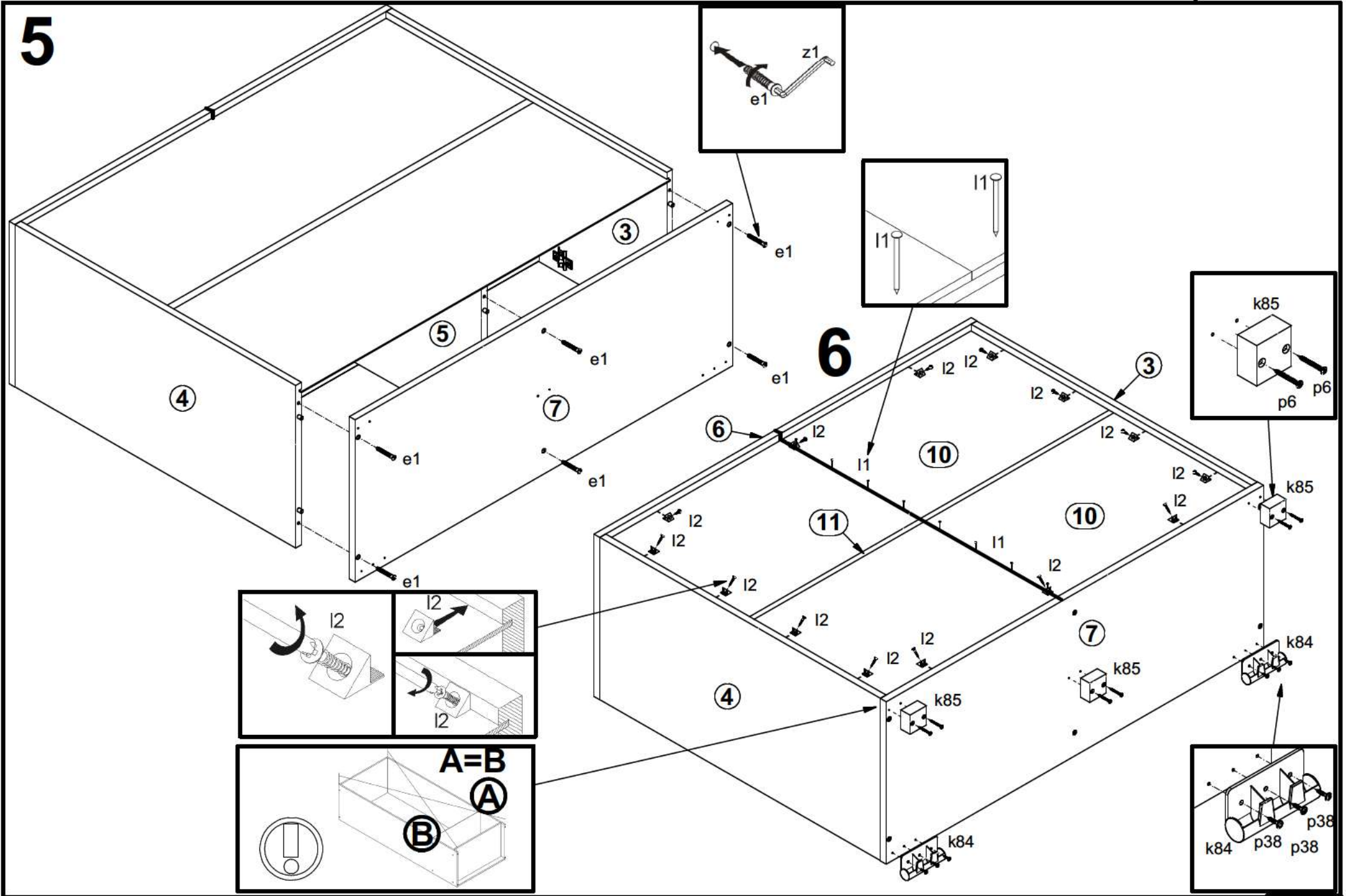


6x Ø7x50 mm e1	18x Ø8x30 mm f1	2x Ø8x50 mm f6	2x k84	17x Ø15x12 mm #16 r1	2x 36/20 mm r28	6x Ø4x35 mm p6	7x Ø3,5x16 mm p38	1x Ø10x50 mm f3	1x Ø5x60 mm p17
14x l2	13x r42	14x Ø16 s2	1x z1	1x n26	10x l1	3x k85	8x a102	8x b59	16x Ø3,5x15 mm p51

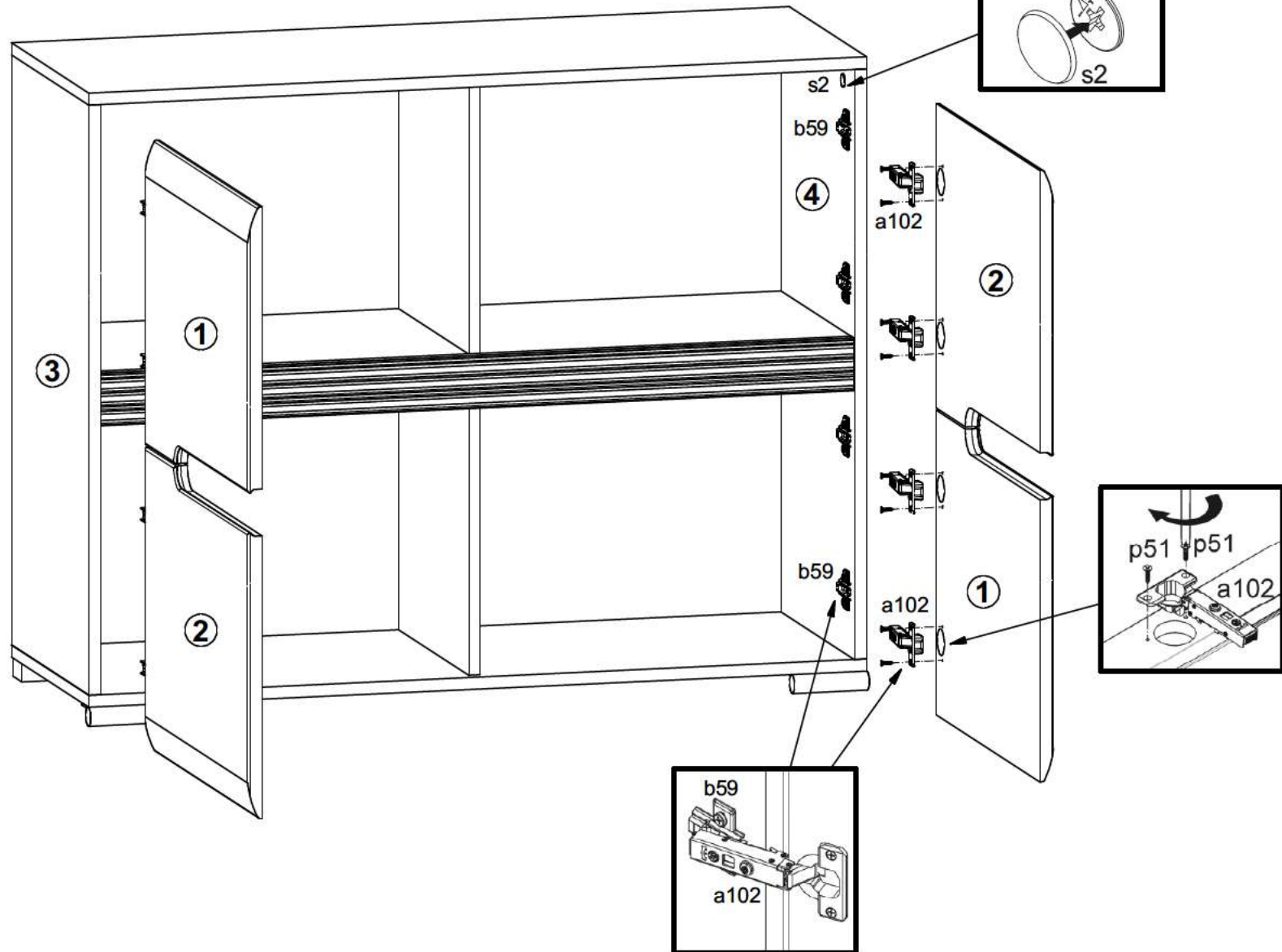


3





7



8

