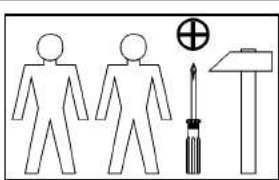
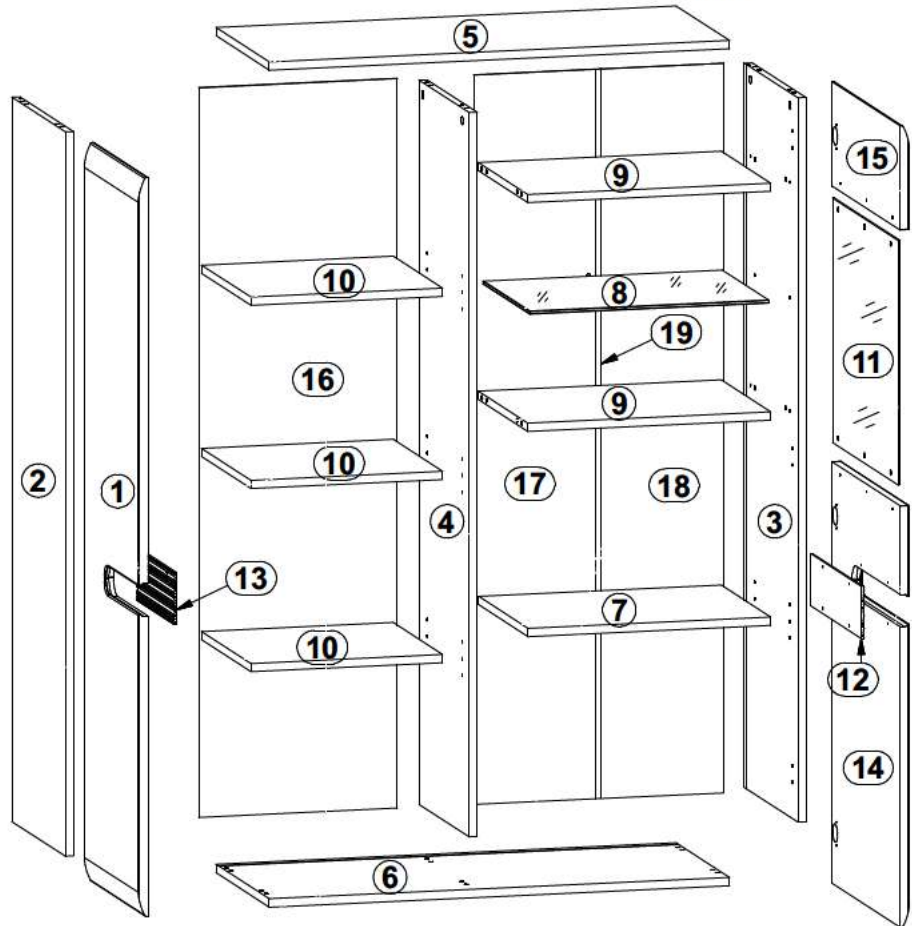
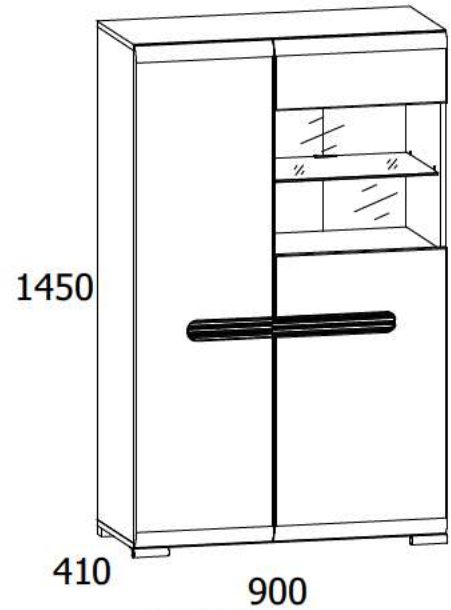
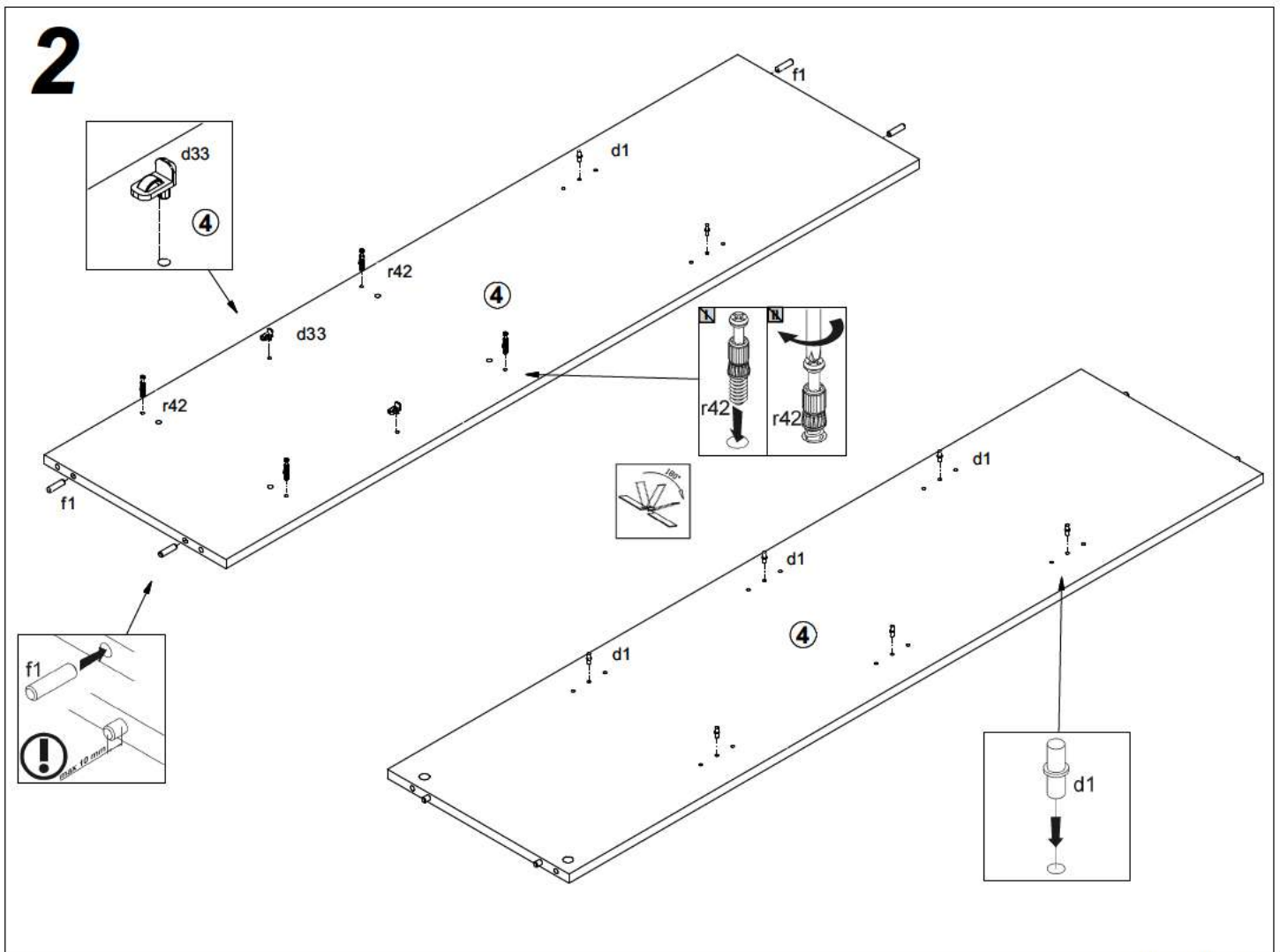
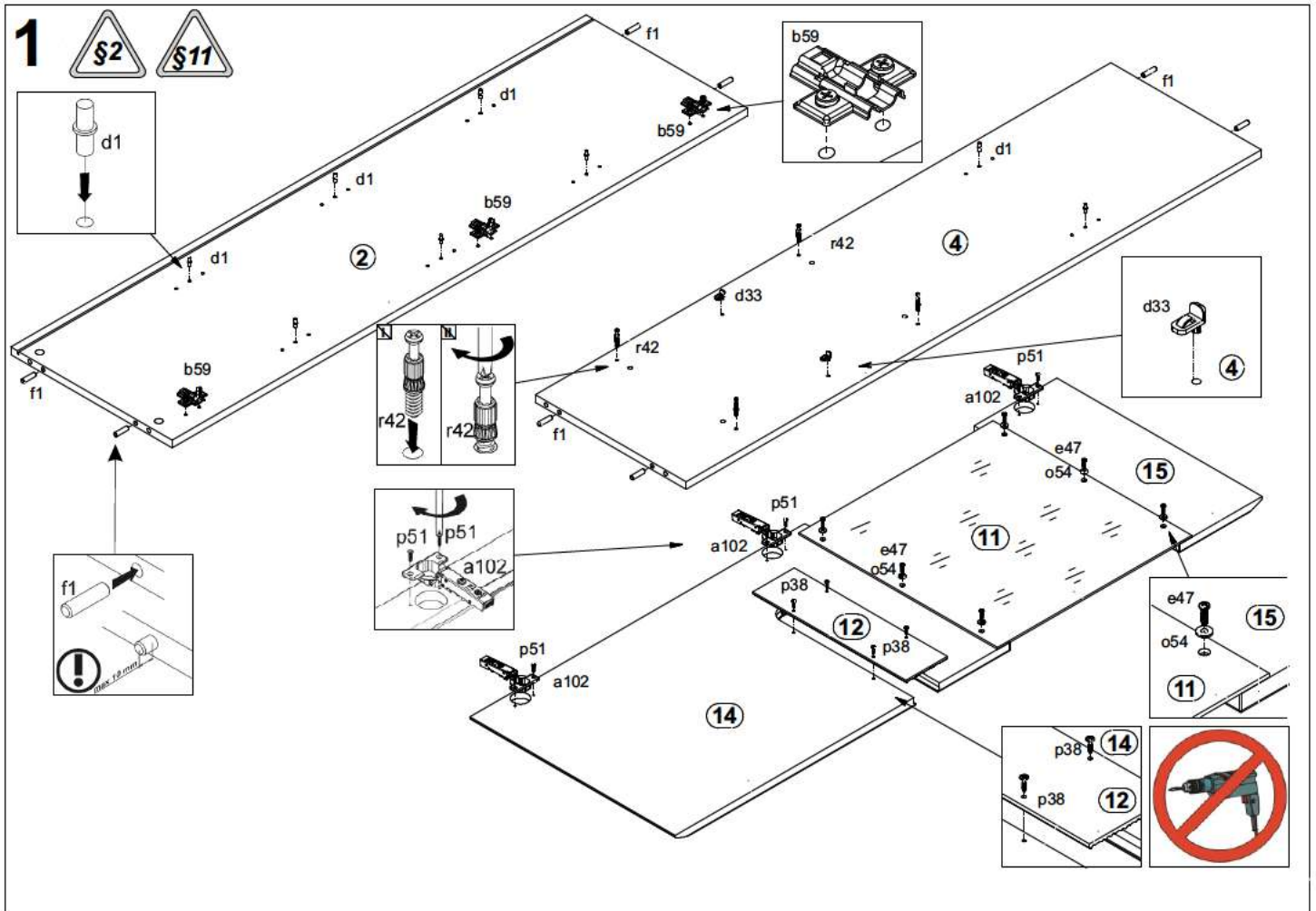


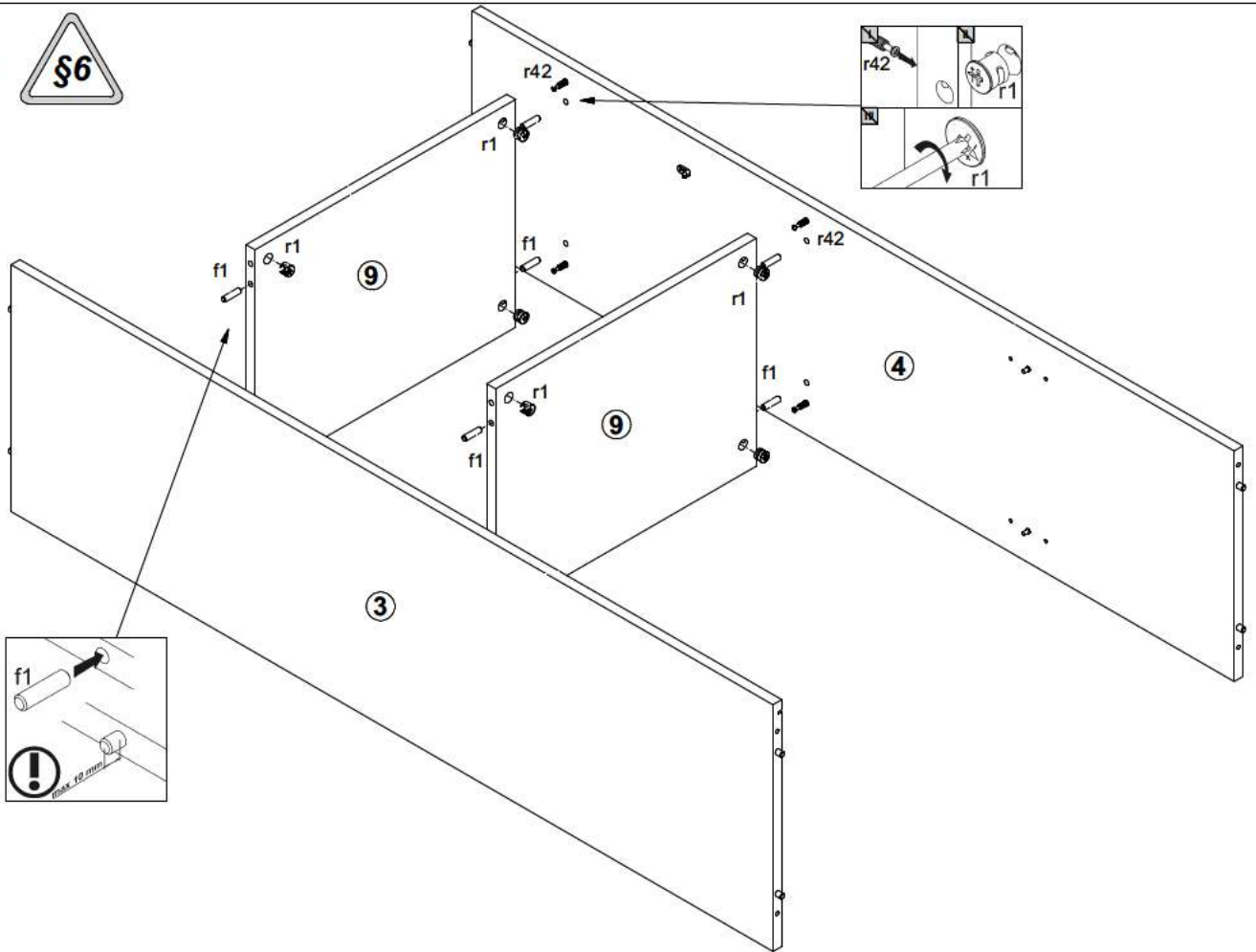
A	B	C		D
1	S205 029	1418	396	3/6
2	S205 140	1390	390	2/6
3	S205 141	1390	390	2/6
4	S205 142	1390	364	2/6
5	S205 223	900	390	1/6
6	S205 224	900	390	1/6
7	S205 306	475	360	1/6
8	S205 308	469	340	4/6
9	S205 314	475	360	1/6
10	S205 315	374	360	1/6
11	S205 556	480	469	5/6
12	S205 583	370	100	3/6
13	S205 586	270	100	3/6
14	S205 717	809	496	3/6
15	S205 719	200	496	3/6
16	S205 916	1400	388	2/6
17	S205 960	1400	244	2/6
18	S205 961	1400	244	2/6
19	Lh 1385	1385	14	2/6



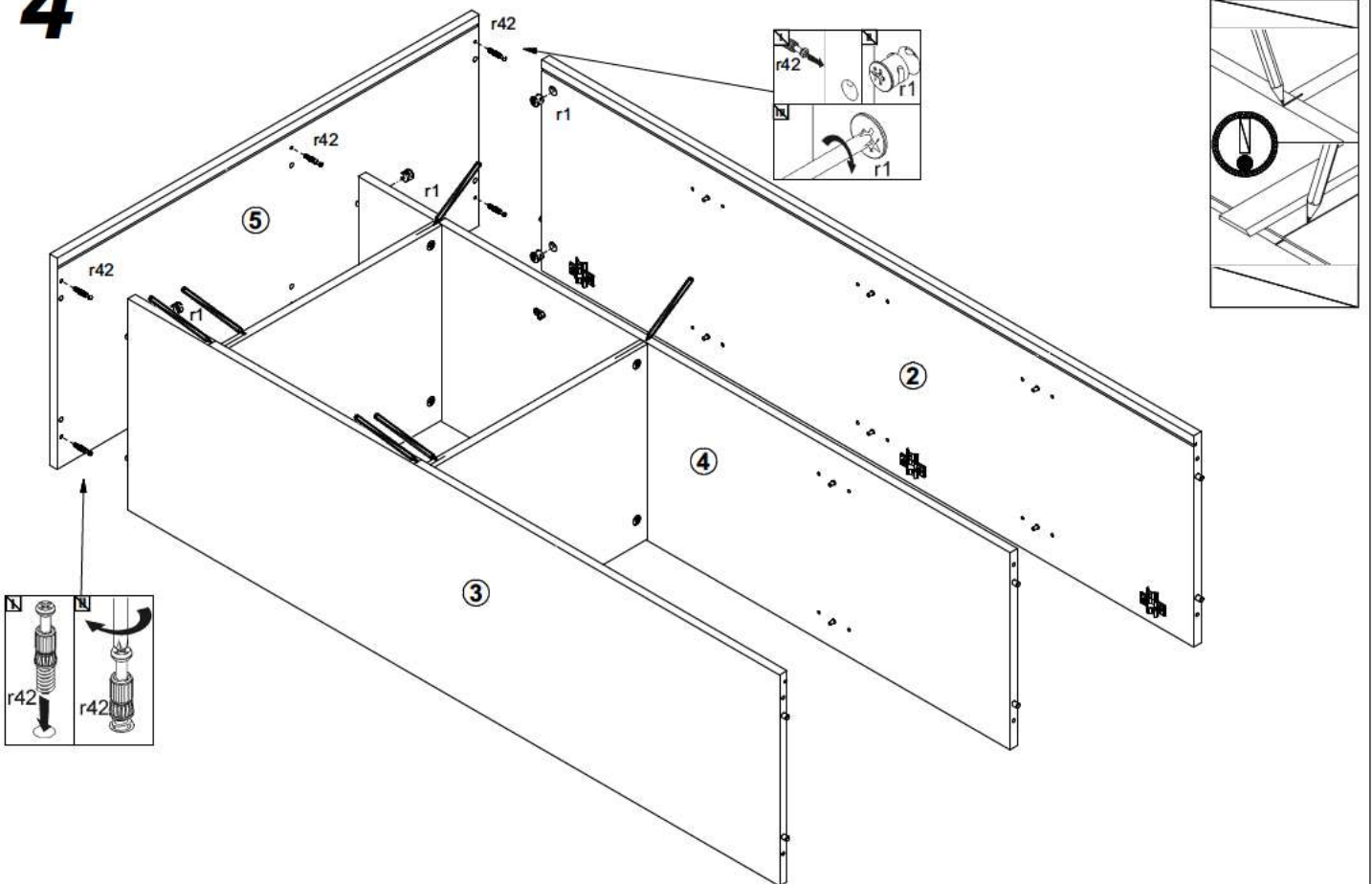
6x a102	6x b59	16x d1 φ5x17 mm	4x d33	6x e1 φ7x50 mm	6x e47 φ5x16 mm	20x f1 φ8x30 mm	2x k84	3x k85
12x l1	18x l2 20x13x3 5/1	9x n108	1x o4316	1x o4318 φ5.3/φ8 3/4 8 mm	6x o54 φ3.5x16 mm	15x p38 φ3.5x15 mm	12x p51 φ3.5x15 mm	9x p55 φ2.9x16 mm
6x p6 φ4x35 mm	14x r1 φ15x12 mm #16	14x r42	14x s2 φ16	1x z1	1x n2611	32x s4 φ5	1x p17 φ5x60 mm	1x f35 φ10x50 mm



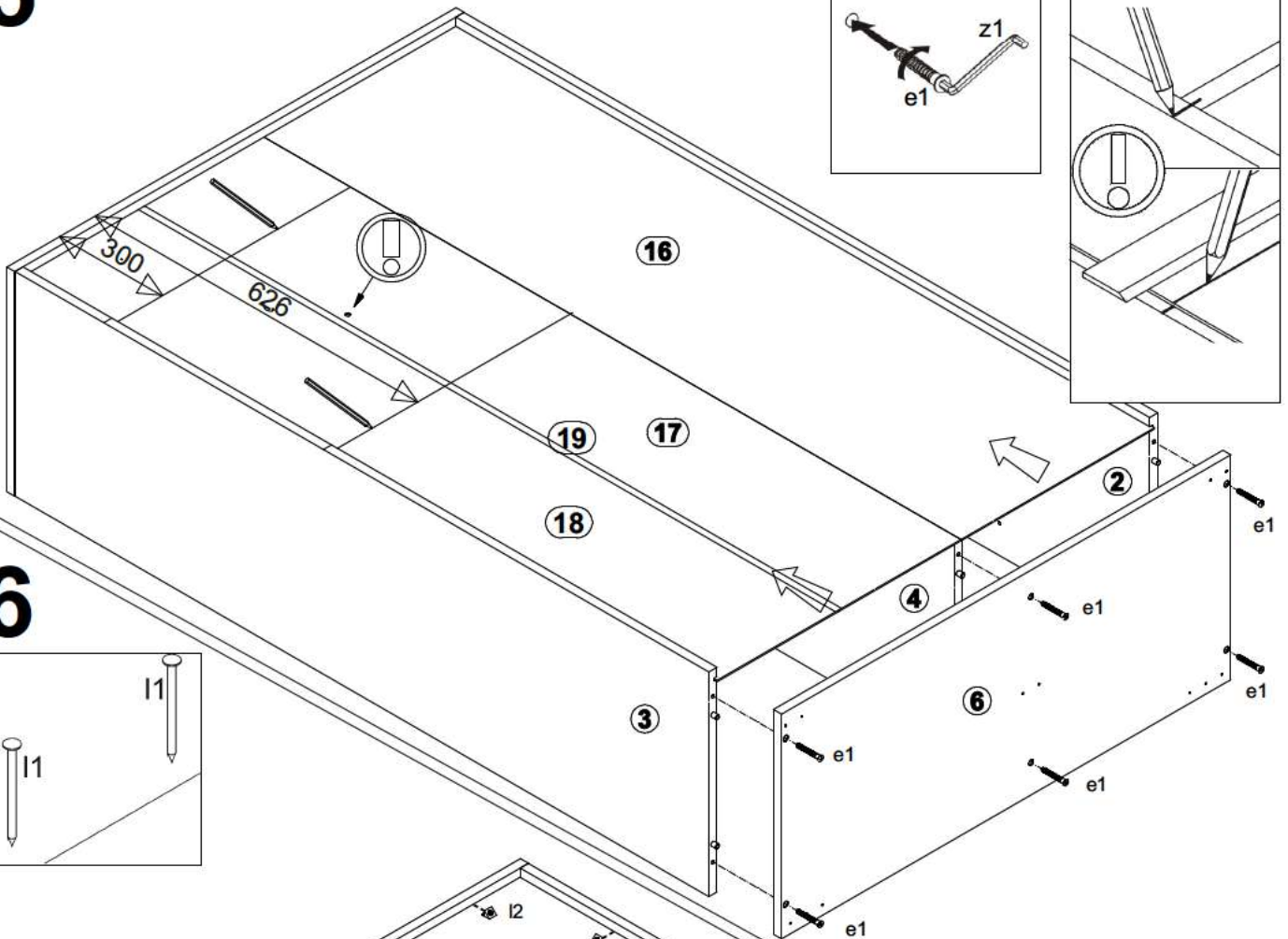
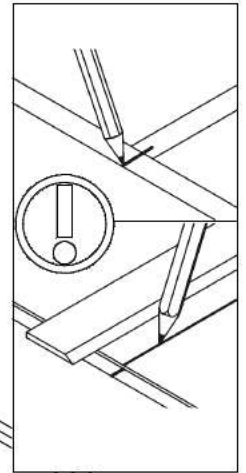
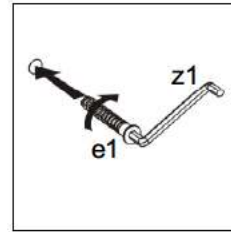
3



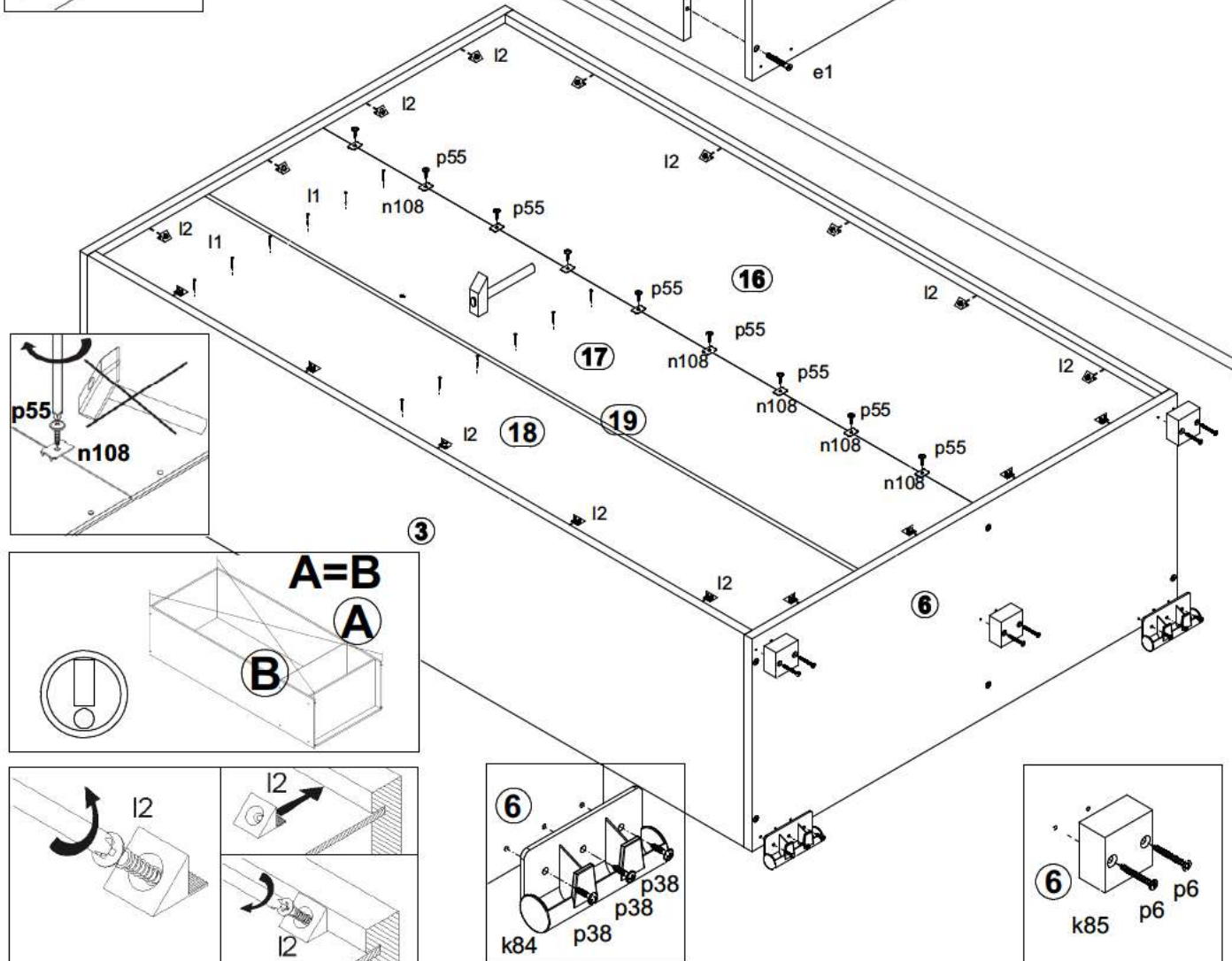
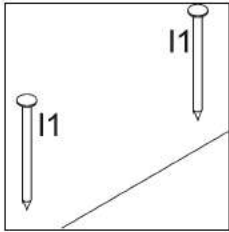
4



5



6



7

