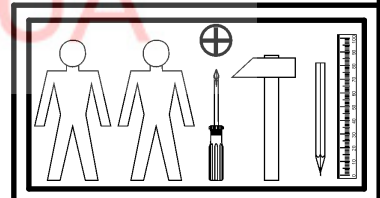
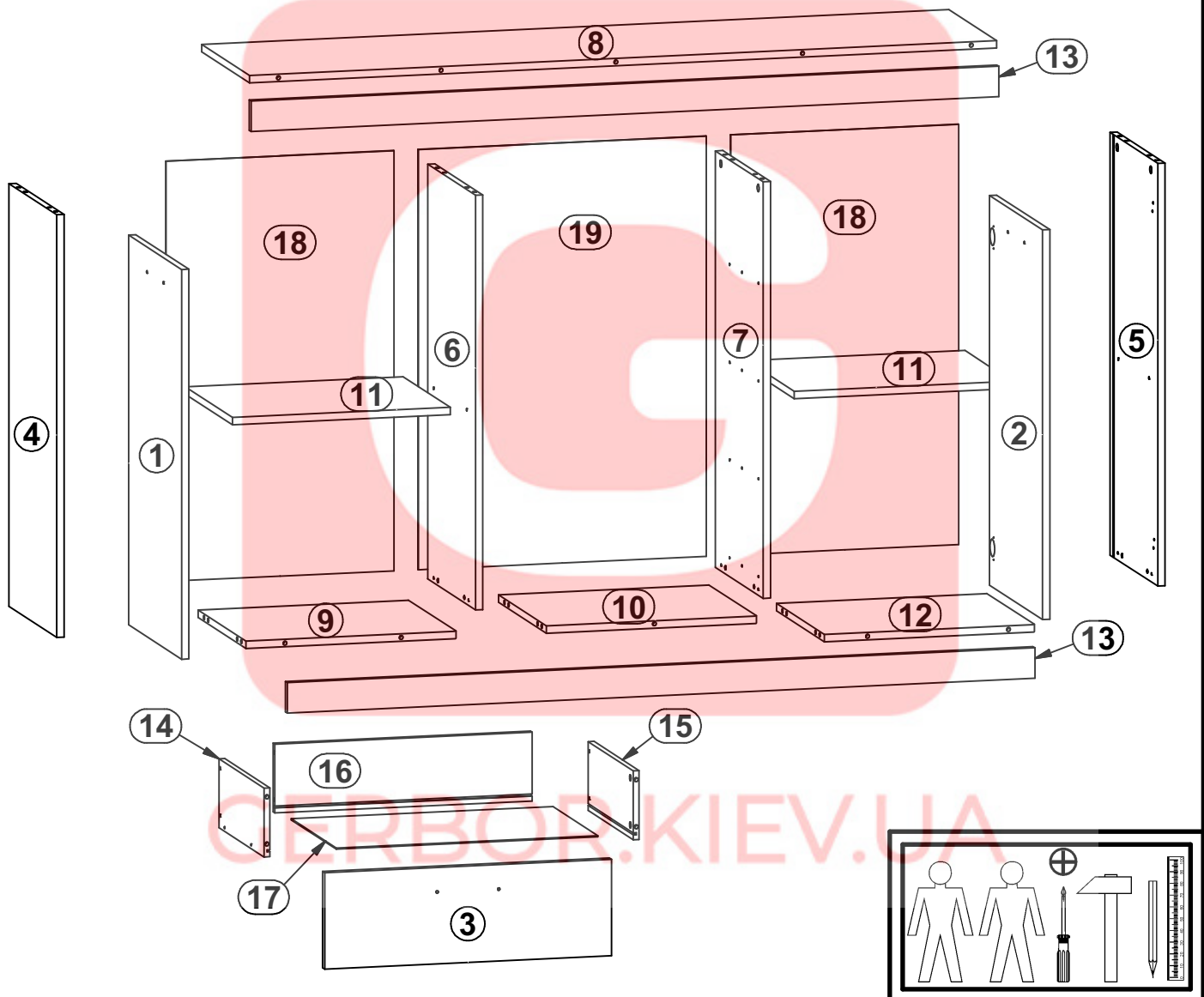
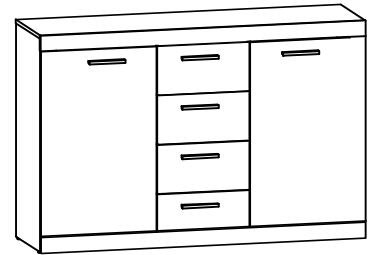


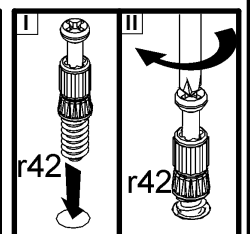
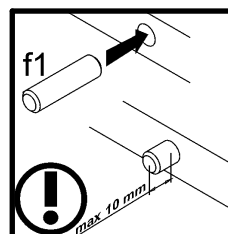
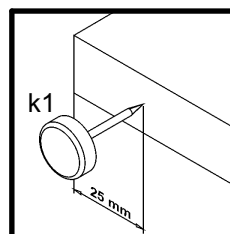
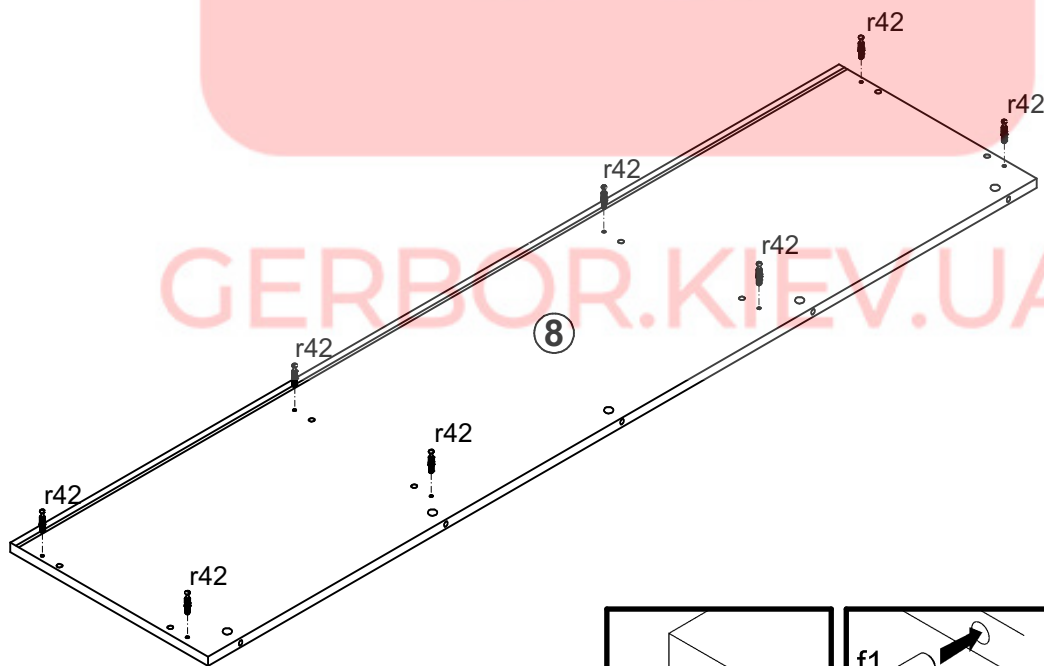
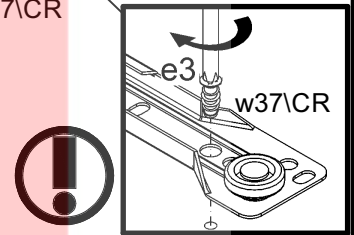
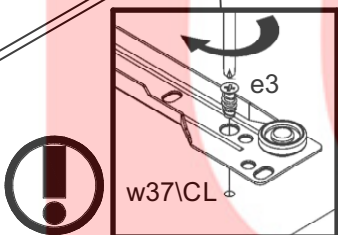
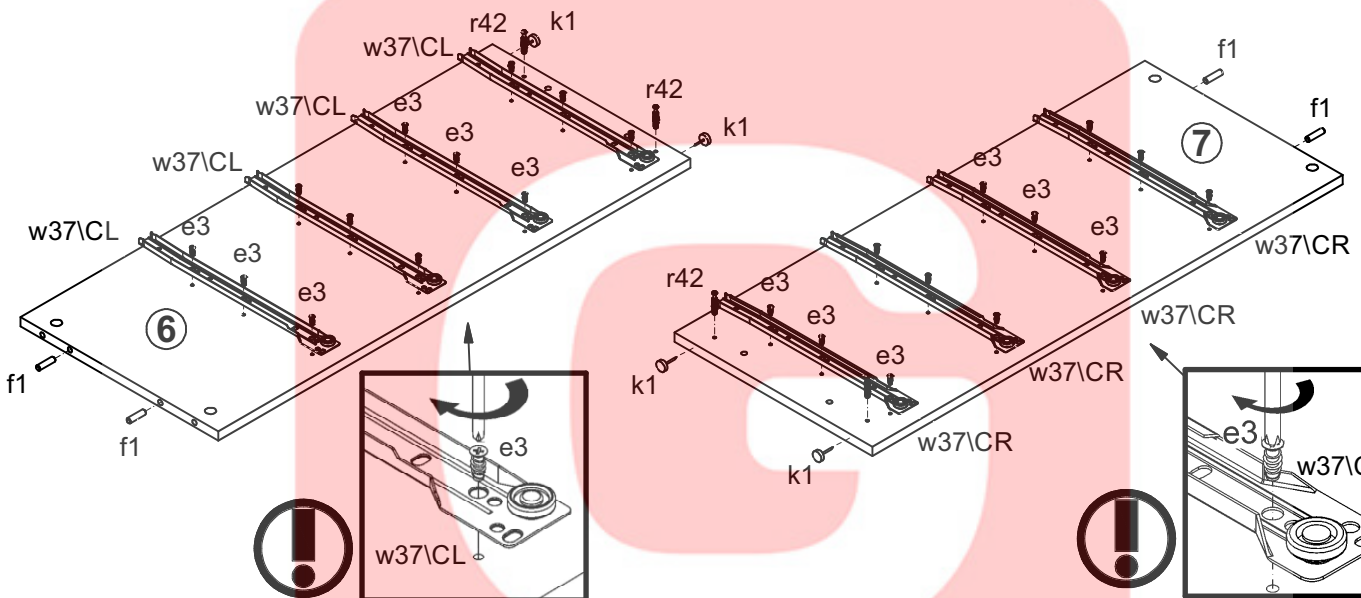
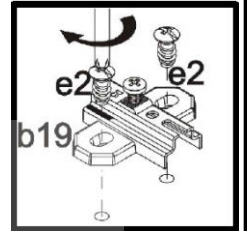
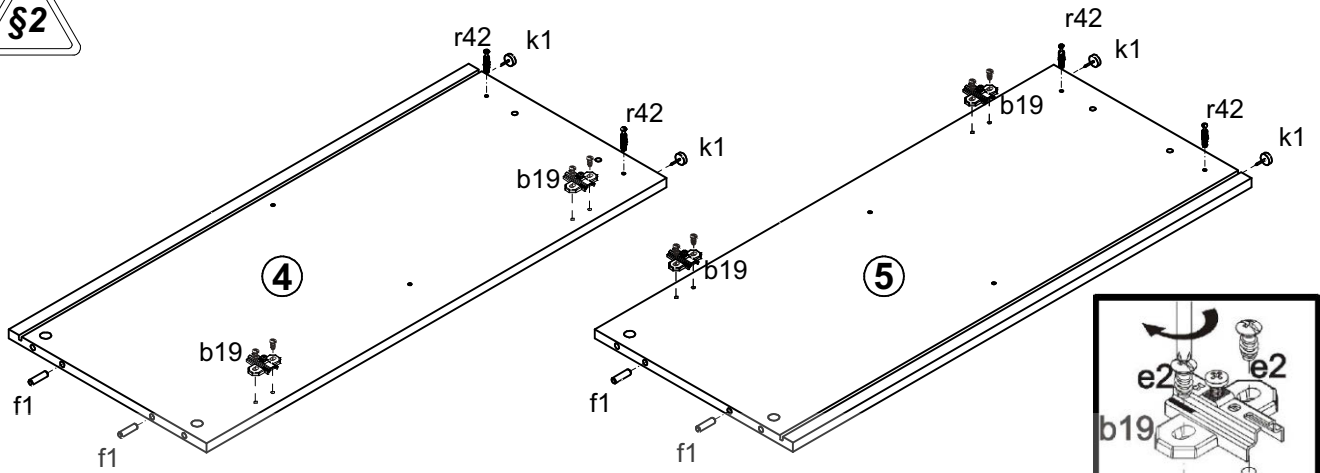
N46-KOM2D4S

A	B	C	D	A	B	C	D		
1	N46-004	705	392	2/2	10	N46-308	380	314	1/2
2	N46-005	705	392	2/2	11	N46-309	369	314	1/2
3	N46-006	392	174	2/2	12	N46-310	369	314	1/2
4	N46-109	813	334	1/2	13	N46-510	1183	60	1/2
5	N46-110	813	334	1/2	14	N46-511	300	120	1/2
6	N46-111	813	314	1/2	15	N46-512	300	120	1/2
7	N46-112	813	314	1/2	16	N46-513	323	120	1/2
8	N46-204	1183	334	1/2	17	N46-907	333	300	2/2
9	N46-307	369	314	1/2	18	N46-908	772	382	2/2
					19	N46-909	772	396	2/2



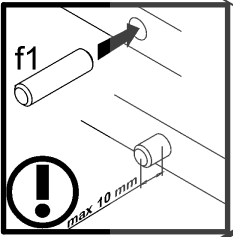
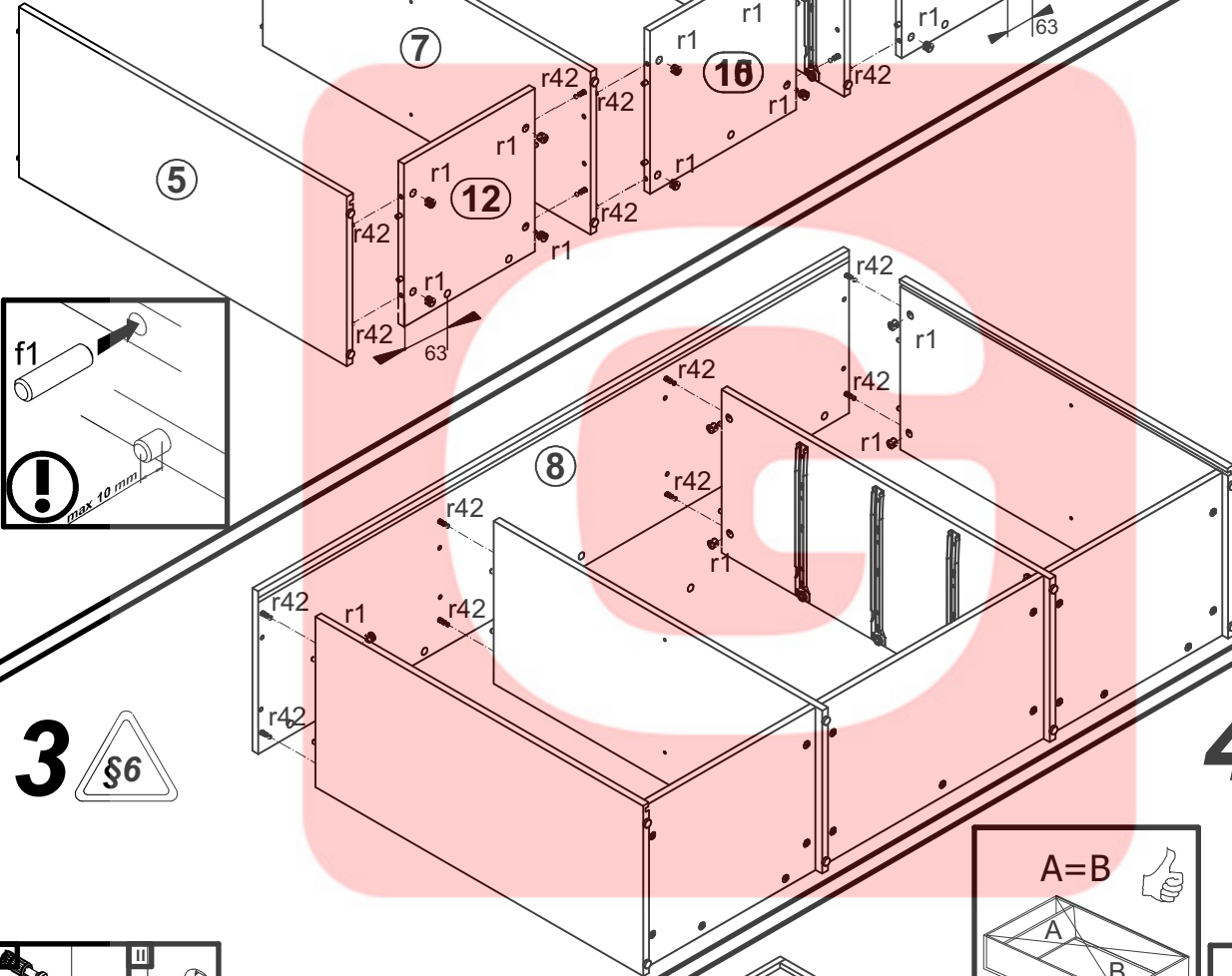
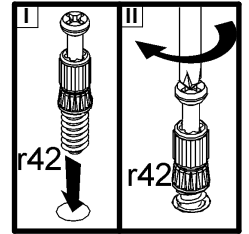
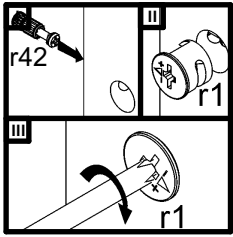
4x K0 a44	4x D5 b19	6x L=96/128 mm c235	8x Ø5x17 mm d1	24x Ø6x13 mm e3	16x Ø5x9 mm e19	20x Ø8x30 mm f1	16x Ø6.5x40 mm f25	8x k1
15x l2	10x 20x13x3.5x1 n108	12x Ø4x30 mm p9	10x Ø3.5x16 mm p38	8x Ø3.5x15 mm p51	10x Ø2.9x16 mm p55	46x Ø15x12mm #16 r1	46x 20/11 r42	20x Ø16 s2
4x 300 mm w37DR	4x 300 mm w37CR	4x 300 mm w37DL	4x 300 mm w37CL					

1 §2

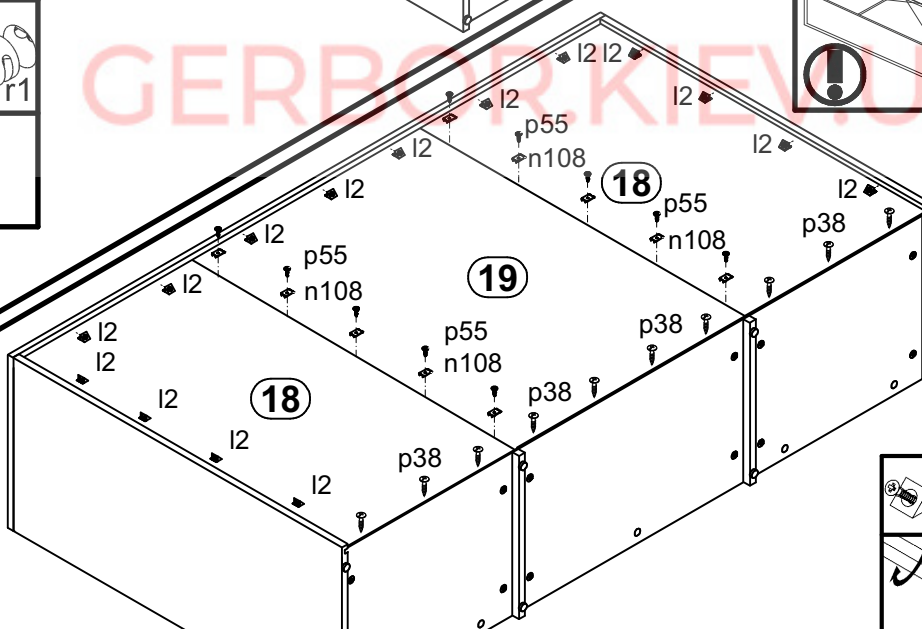
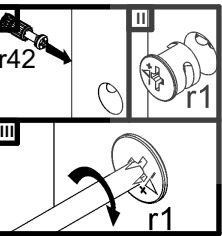


GERBOR.KIEV.UA

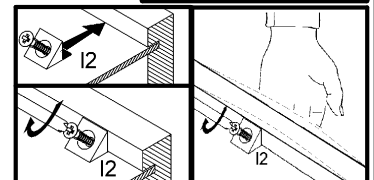
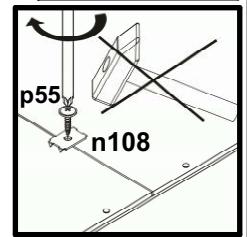
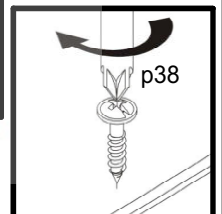
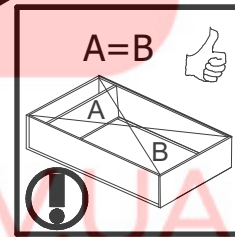
2



3



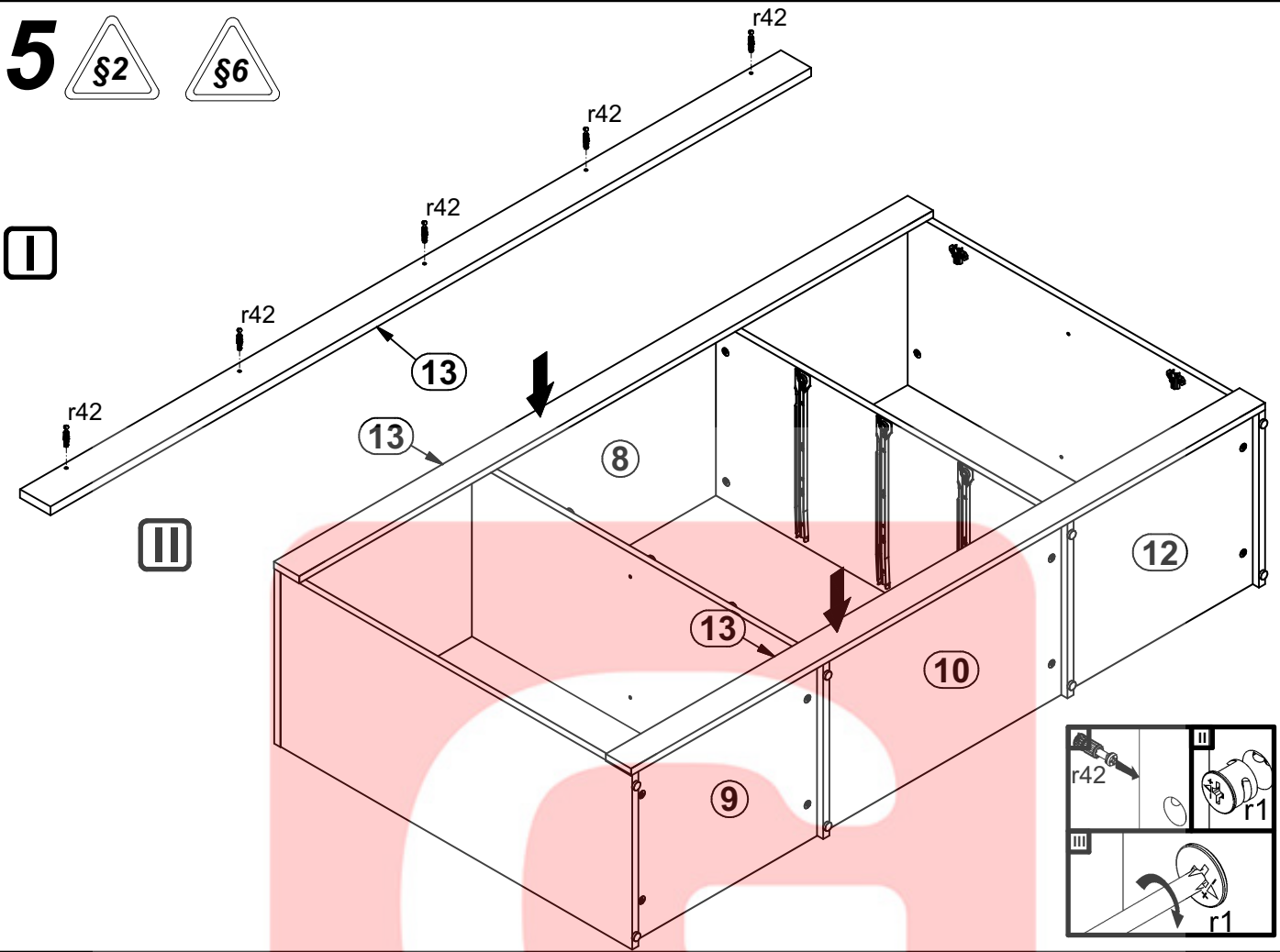
4



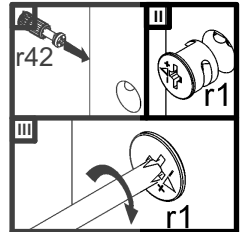
5



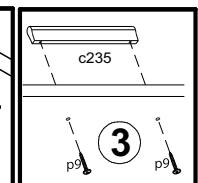
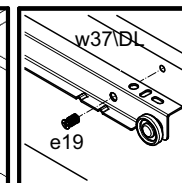
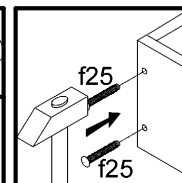
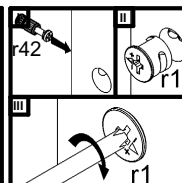
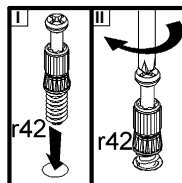
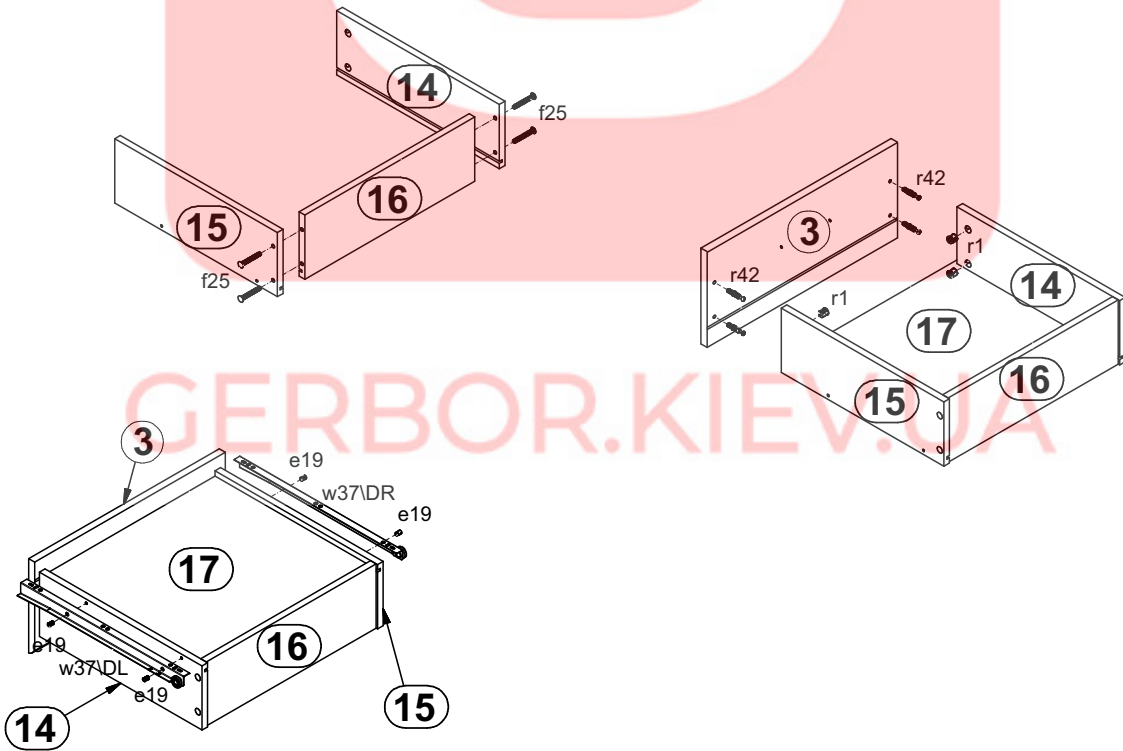
I



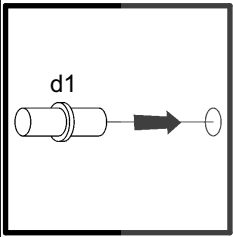
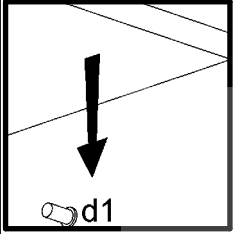
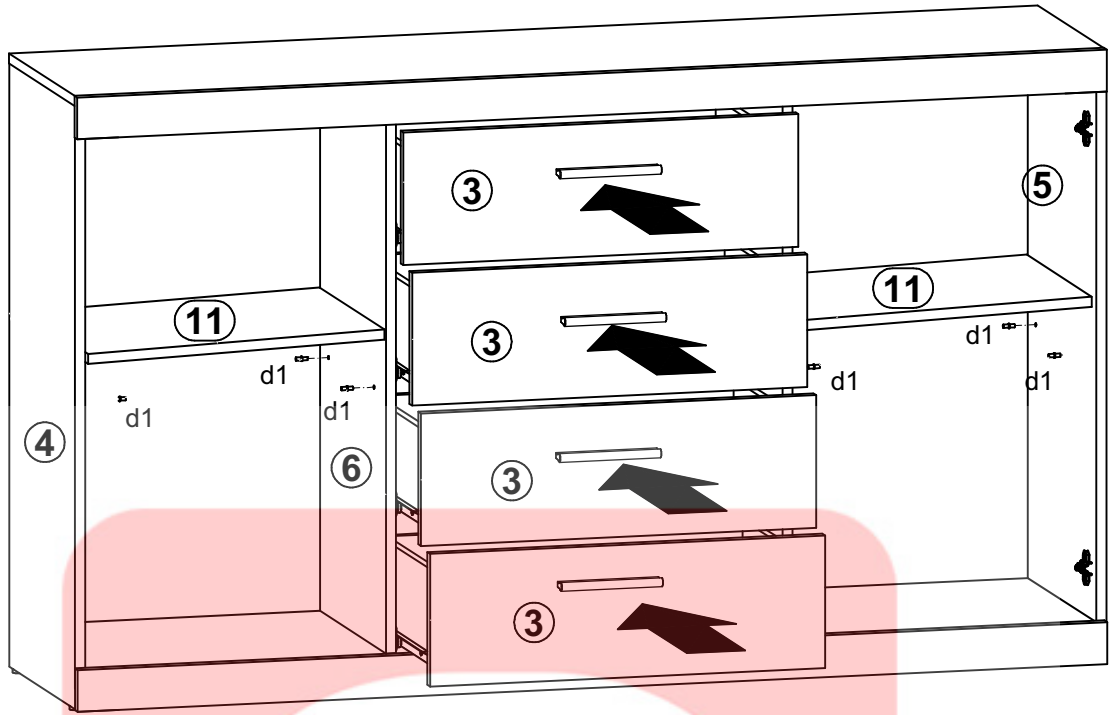
II



6



7



8

