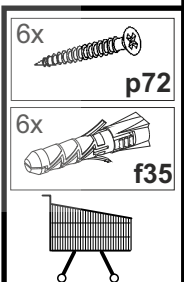
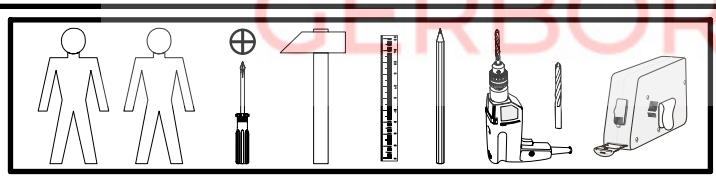
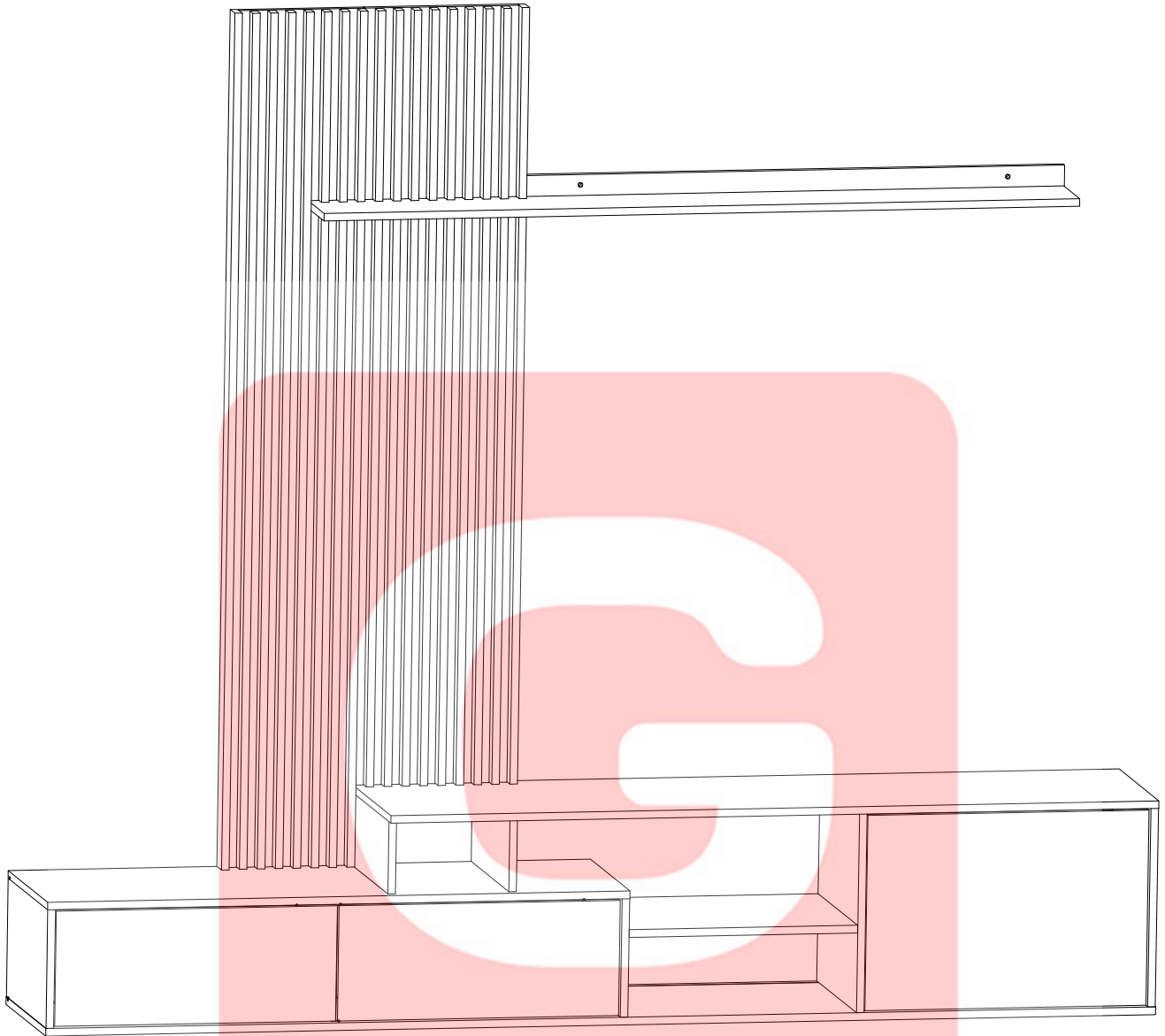
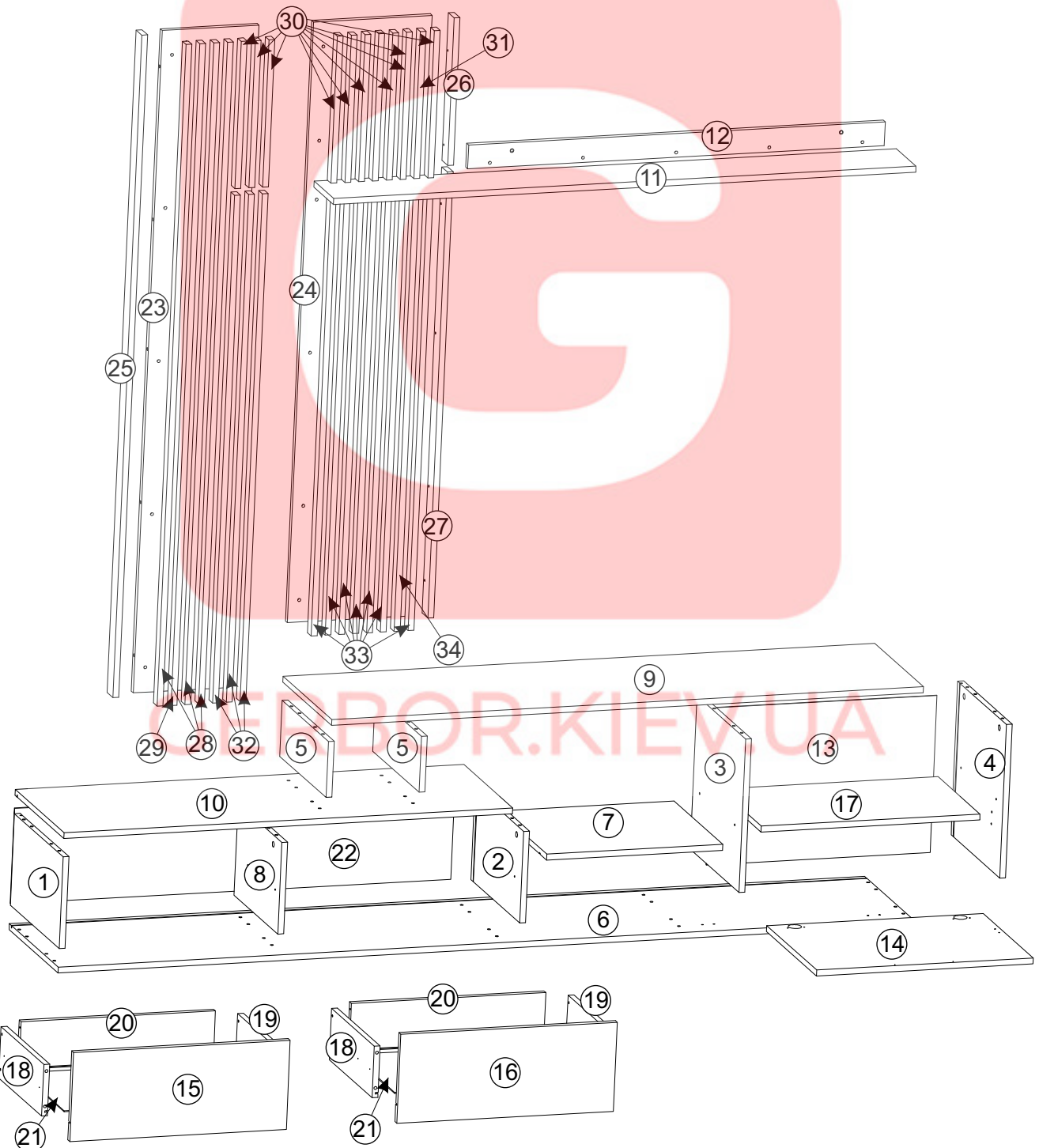


N109

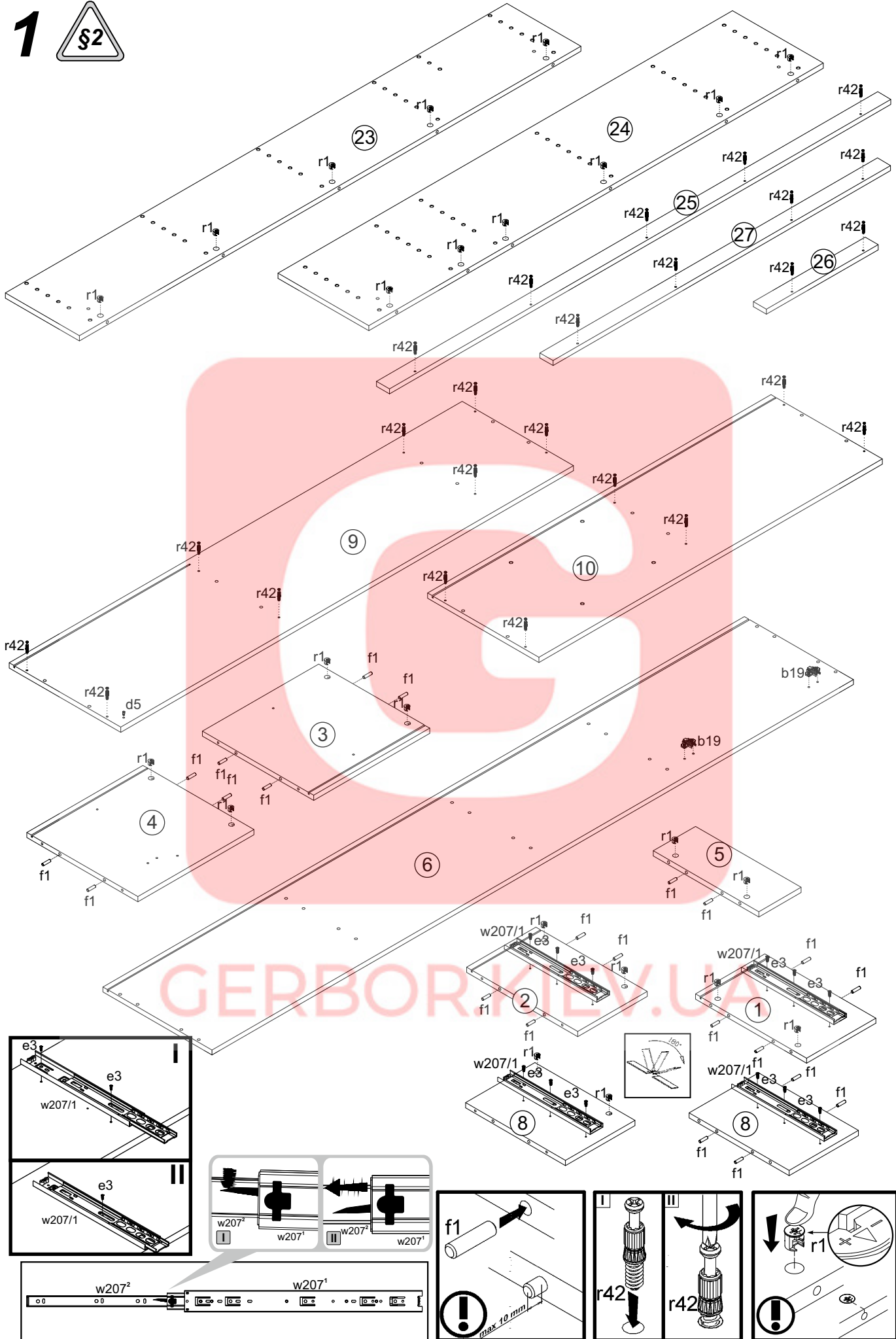


3x c818	2x a43	4x Ø3,5x15 mm p51	1x z1	28x i2	33x Ø15x12 mm #16 r1	33x r42	39x Ø8x30 mm f1	
4x 350 mm w207/1	4x 350 mm w207/2	19x Ø7x50 mm e1	12x Ø3,5x12 mm p140	12x Ø6x13 mm e3	8x Ø5x50 mm e32	8x Ø5x17 mm d1	16x Ø16 s2	
6x Ø3,5x13 mm p1	4x s103	2x b19	2x Ø3,5x16 mm p38	2x 333 mm t19	4x Ø3,5x16 mm p25	10x k22	1x Ø6,3x15 mm d5	
2x Ø6x13 mm e5	3x Ø3,5x13 mm p1	1x L-236 m3	75x e22					

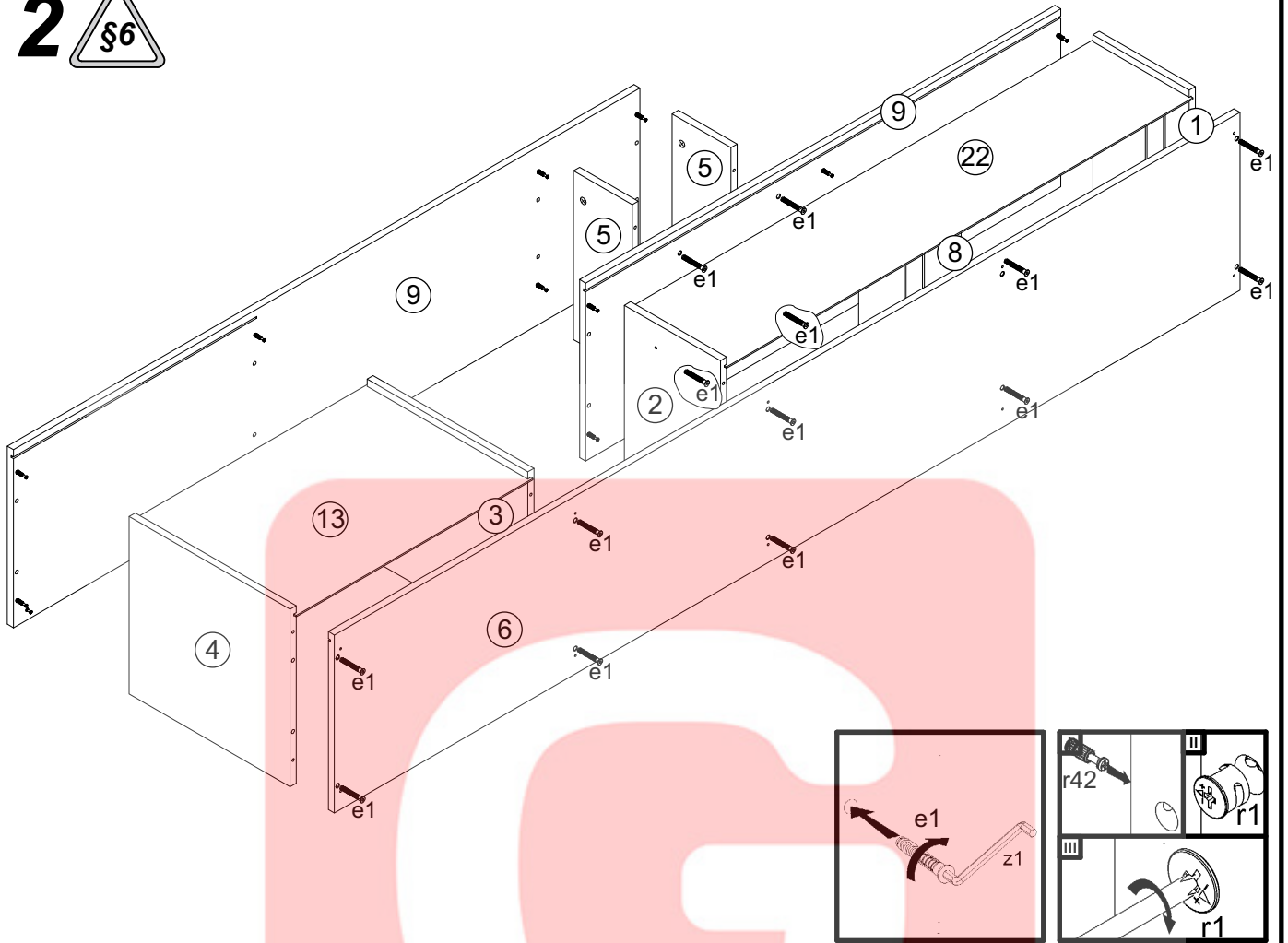
A	B	C		D	A	B	C		D
1	N109-101	249	399	1/4	18	N109-501	350	140	3/4
2	N109-103	249	399	1/4	19	N109-502	350	140	3/4
3	N109-104	417	399	1/4	20	N109-503	534	140	3/4
4	N109-105	417	399	1/4	21	N109-901	549	350	3/4
5	N109-106	152	379	1/4	22	N109-903	615	427	3/4
6	N109-203	2350	400	1/4	23	N109-401	1800	266	4/4
7	N109-301	484	399	1/4	24	N109-402	1632	326	4/4
8	N109-102	249	359	2/4	25	N109-701	1800	47	4/4
9	N109-201	1626	400	2/4	26	N109-702	401	47	4/4
10	N109-202	1233	400	2/4	27	N109-703	1212	47	4/4
11	N109-303	1600	160	2/4	28	N109-704	1798	30	4/4
12	N109-403	1145	65	2/4	29	N109-705	1798	30	4/4
13	N109-902	1210	259	2/4	30	N109-706	400	30	4/4
14	N109-001	595	410	3/4	31	N109-707	400	30	4/4
15	N109-002	595	242	3/4	32	N109-708	1380	30	4/4
16	N109-003	595	242	3/4	33	N109-709	1212	30	4/4
17	N109-302	601	344	3/4	34	N109-710	1212	30	4/4



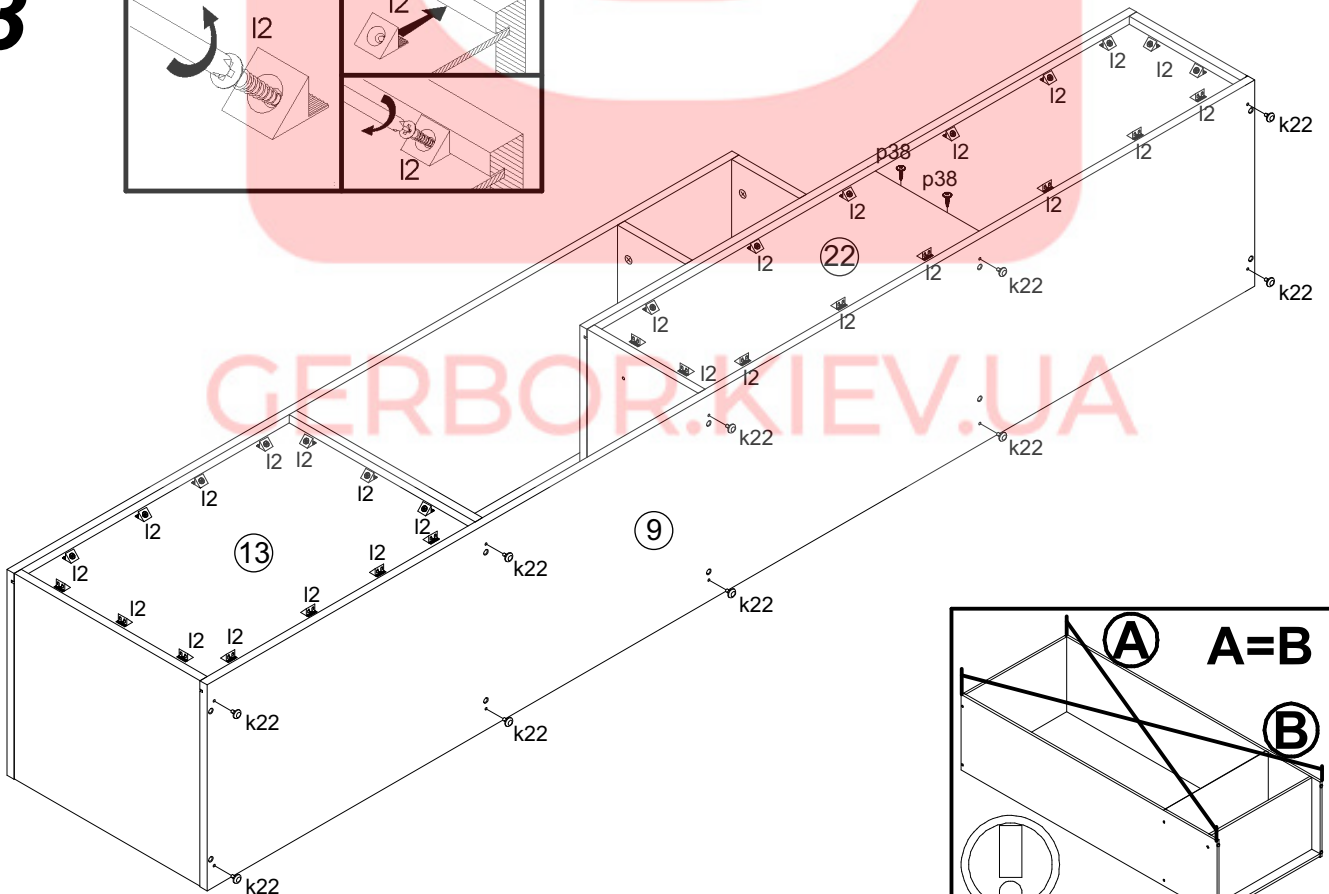
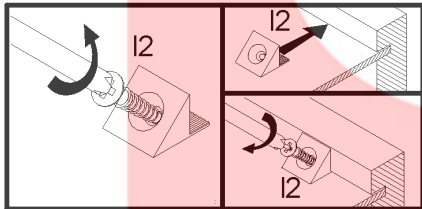
1



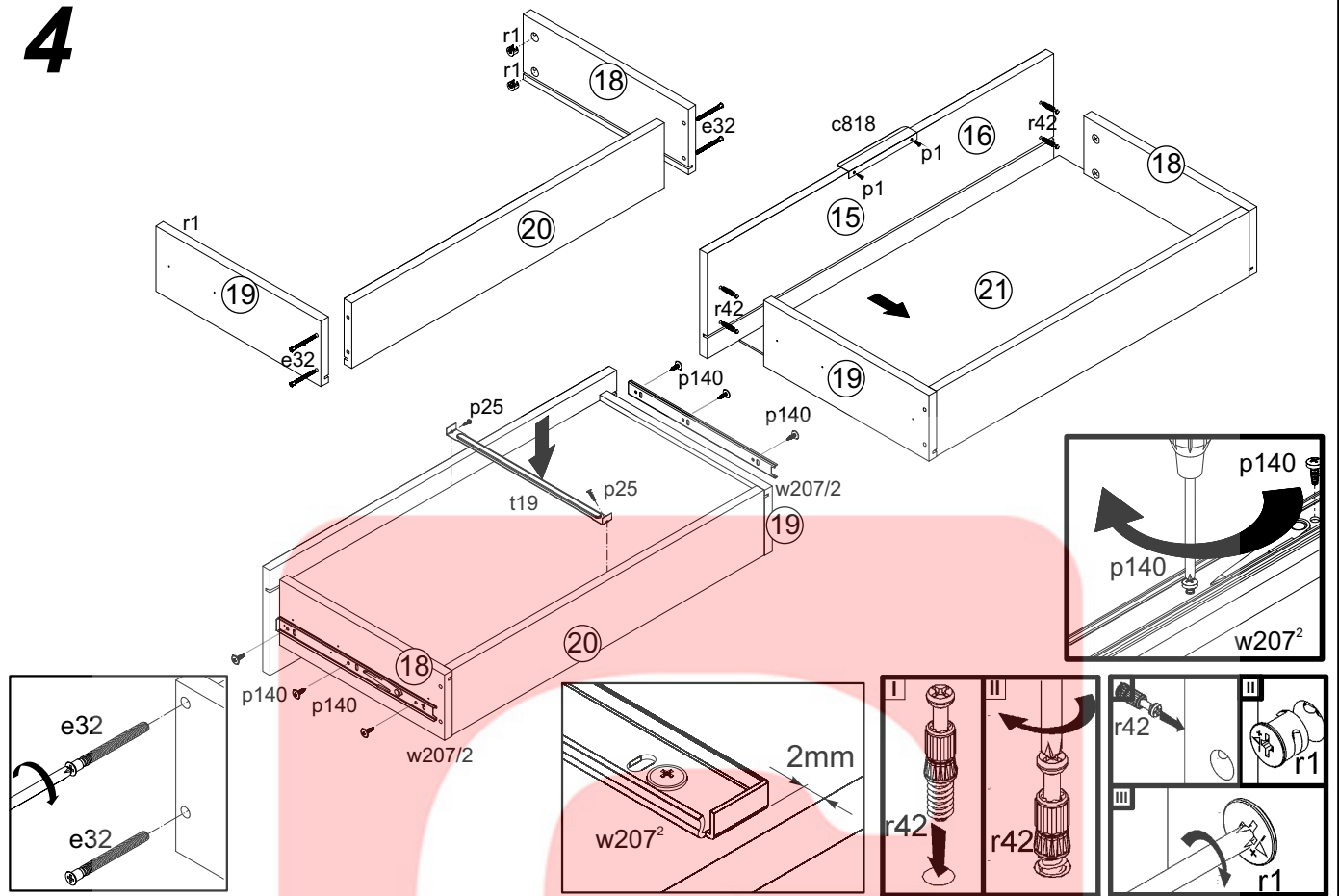
2



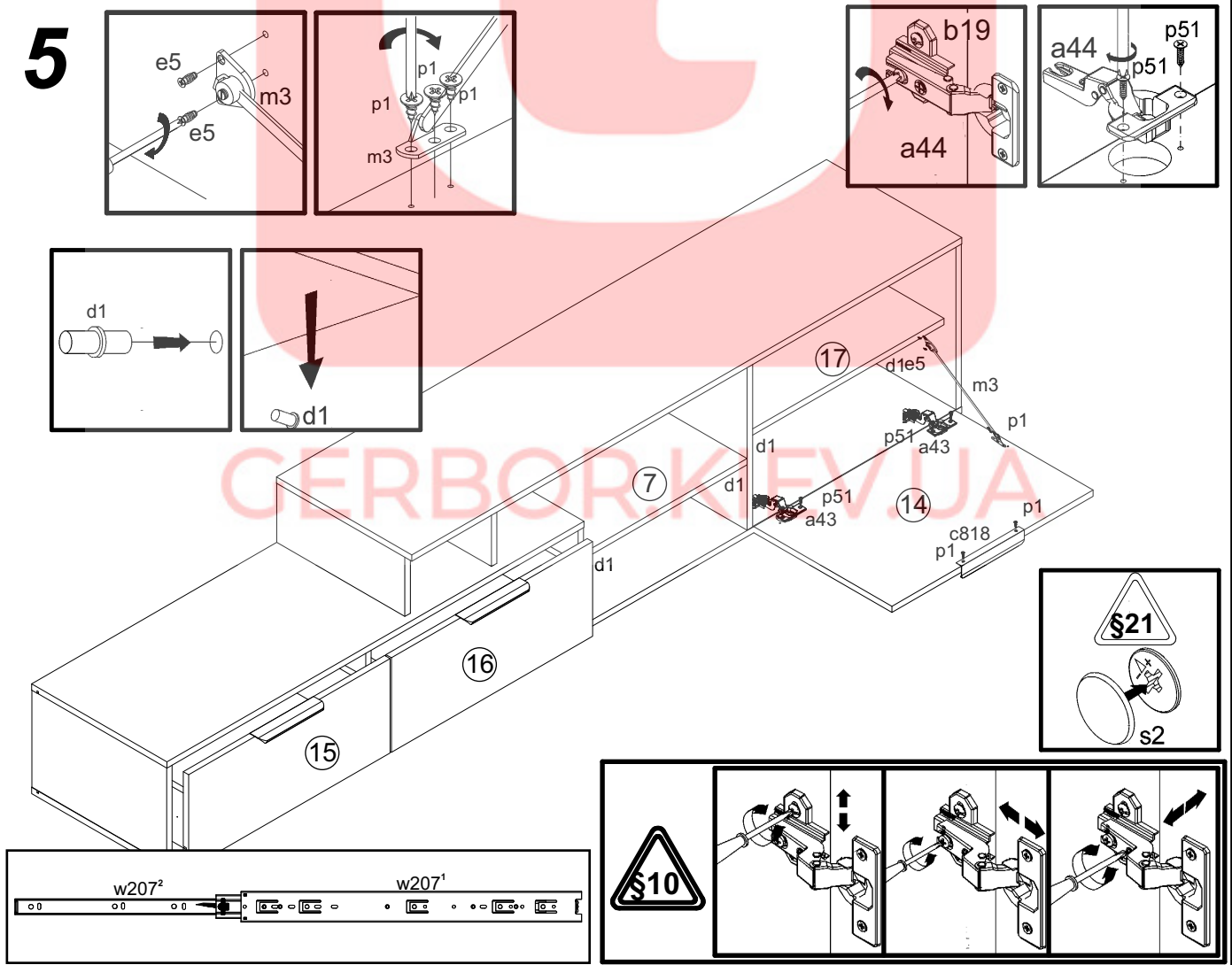
3



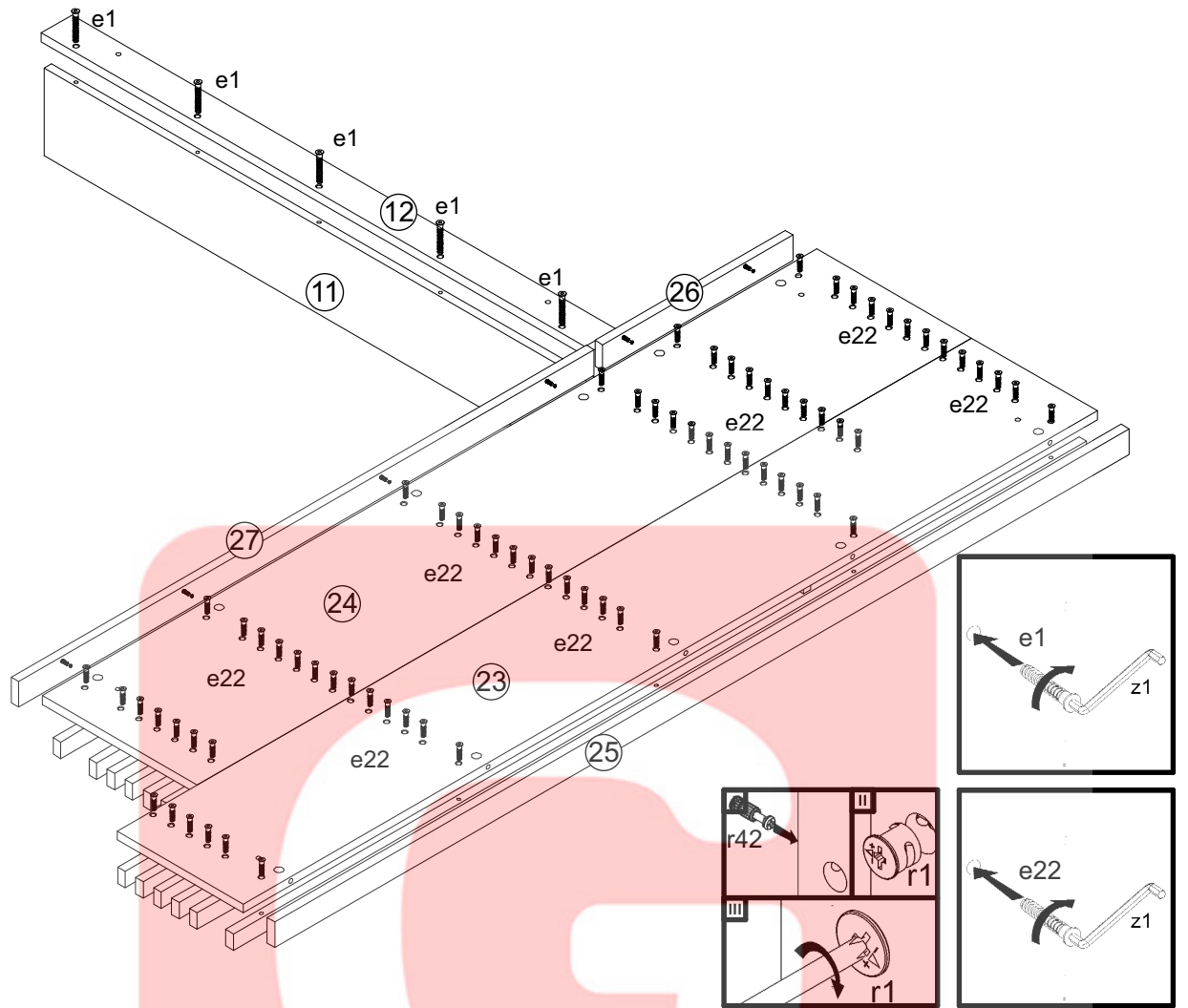
4



5



6



7

