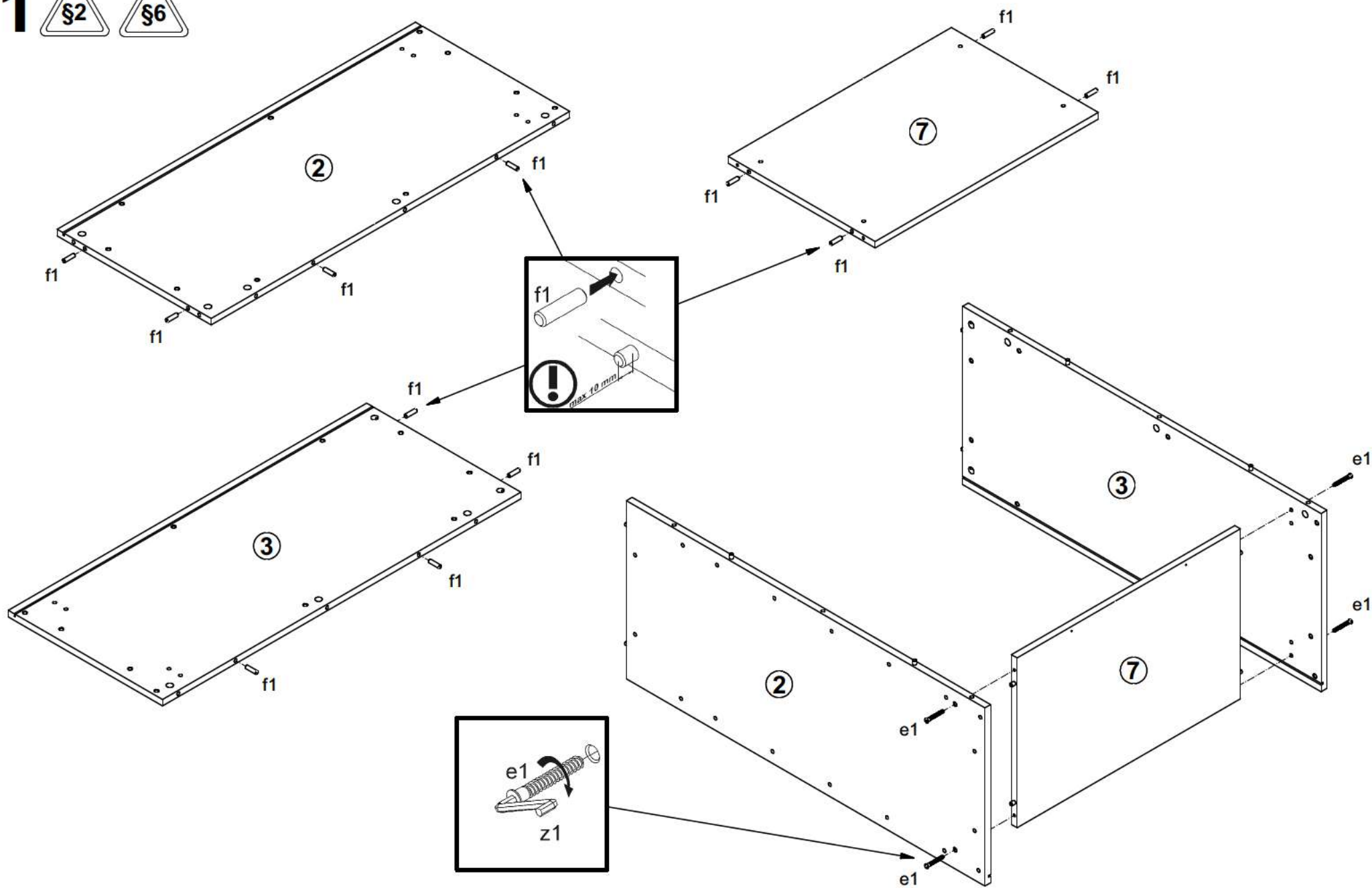


A	B	C (mm)		D
1	S228 0013	534	160	2/2
2	S228 125	1002	431	1/2
3	S228 126	1002	431	1/2
4	S228 127	910,5	376	2/2
5	S228 128	910,5	376	2/2
6	S228 2209	656	431	1/2
7	S228 3326	624	411	1/2
8	S228 4409	528	60	2/2
9	S228N 5539	431	80	1/2
10	S228N 5542	315	80	1/2
11	S228N 5547	1010	58	1/2
12	S228N 5548	1000	58	1/2
13	S228N 5549	1000	80	1/2
14	S228N 5550	1000	80	1/2
15	S228N 5551	540	80	1/2
16	S228N 5552	701	80	1/2
17	S228N 5553	622	60	1/2
18	S228 958	928	316	2/2
19	S228 9943	498	358	1/2
20	BPK 503	350	120	2/2
21	BPK 504	350	120	2/2
22	ZBK 506	488	107	1/2
23	S228 970	928	316	2/2
24	Lh 900	900	14	2/2

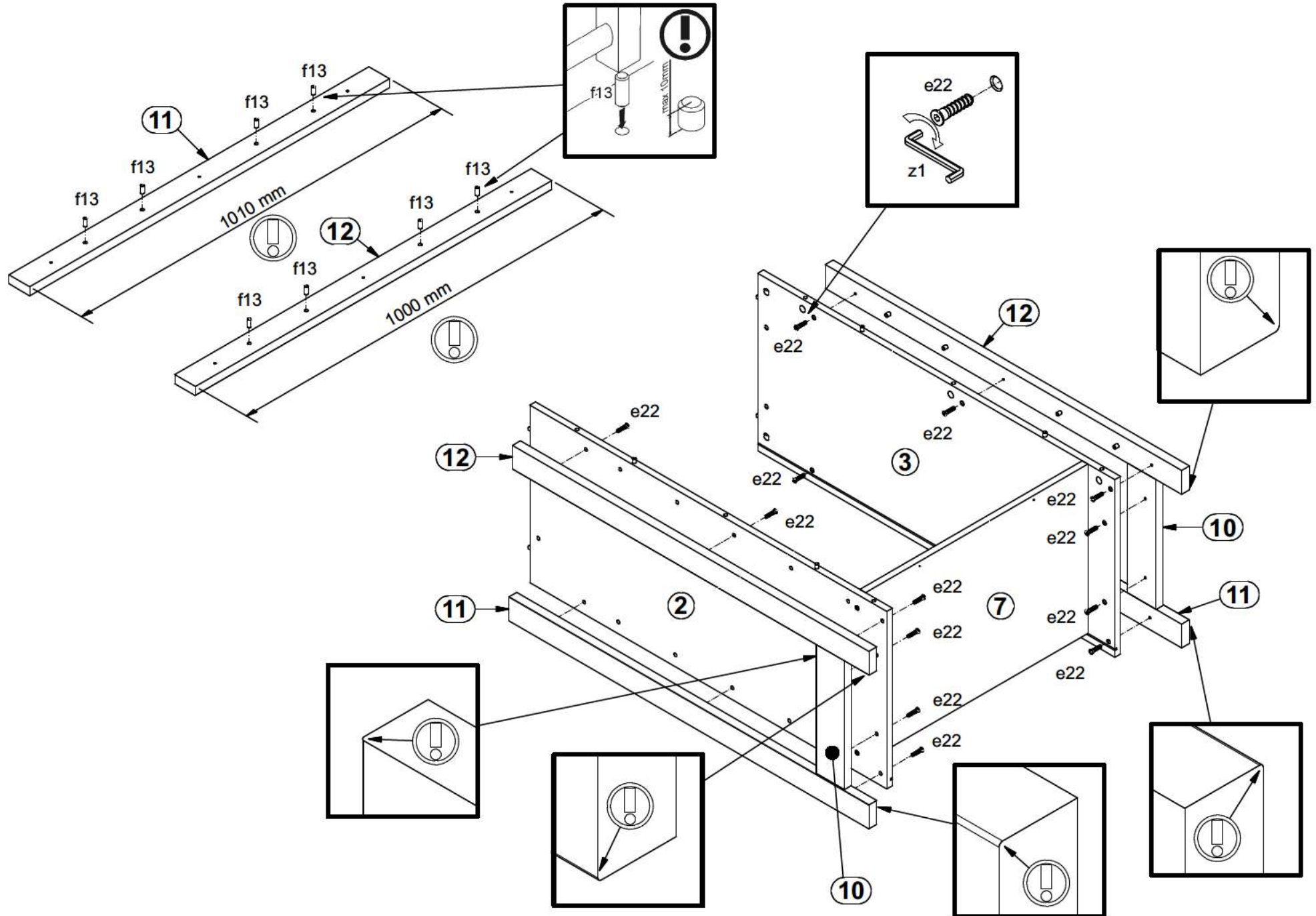
cm  
0 1 2 3 4 5 6 7 8 9 10

5x 192 mm c280/1	2x d36	4x W7x50 mm e1	20x W7x28 mm e22	40x W6x13 mm e3	38x W8x30 mm f1	16x W8x20 mm f13	20x W6x40 mm f25	1x W10x50 mm f35	10x M4x22 mm j30	6x k1	2x k101	10x l1
12x l2	1x W6x15/1.5 n14/2	1x W5x60 mm p17	22x W3,5x16 mm p38	4x W3,5x15 mm p51	4x W8,5x20 mm p79	3x W4x25 mm p8	33x W1,5x12 mm #16 r1	33x 20/H r42	5x 350 mm W117/L	5x 350 mm W117/P	1x z1	

1  

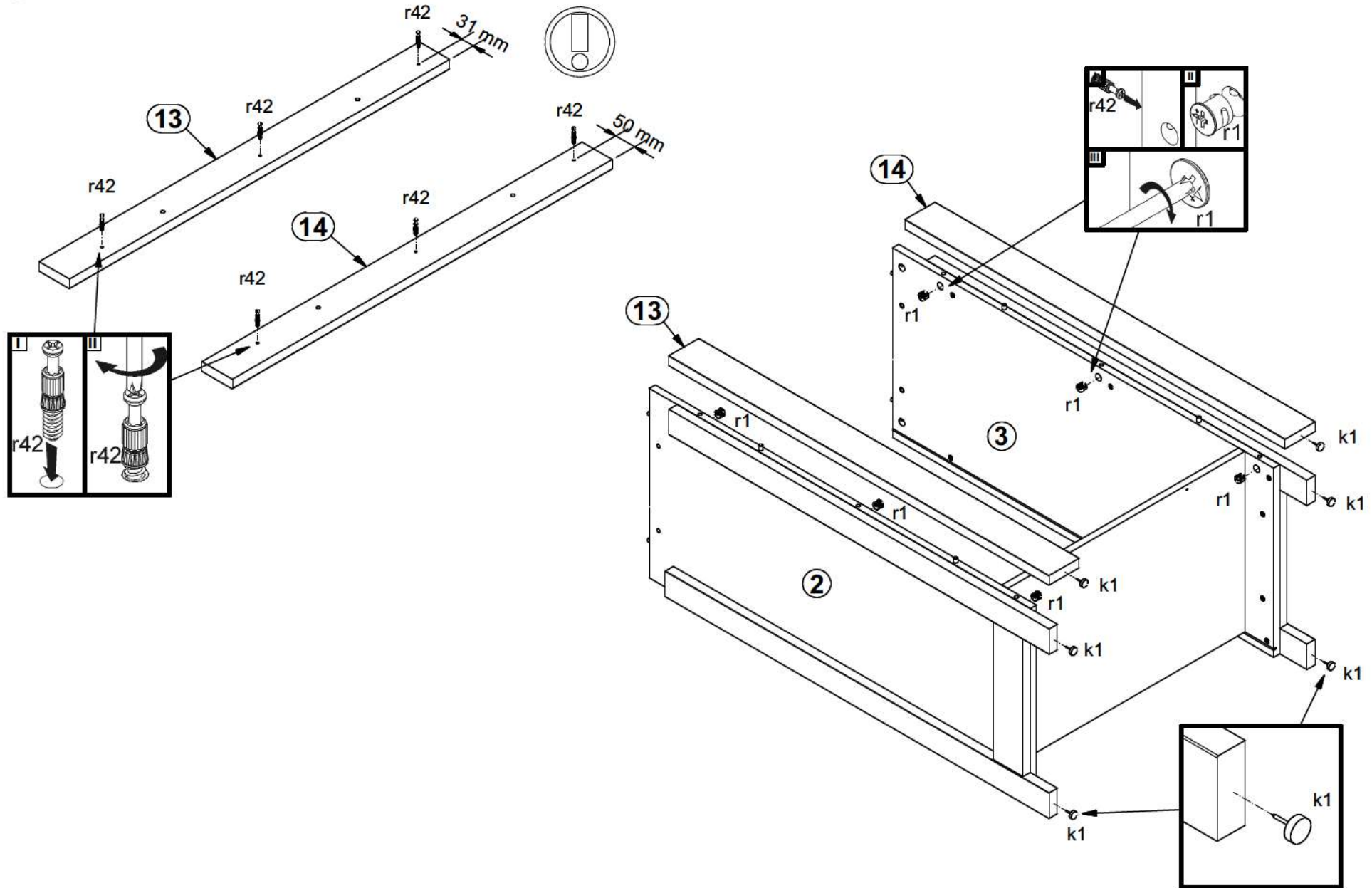


# 2

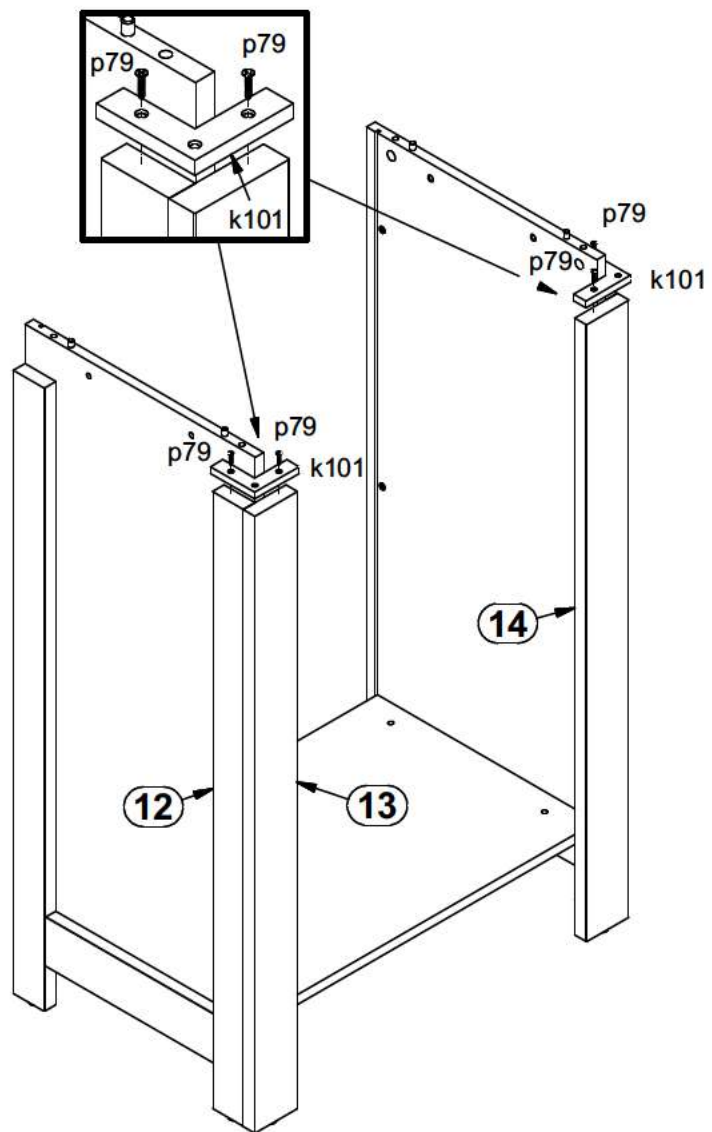




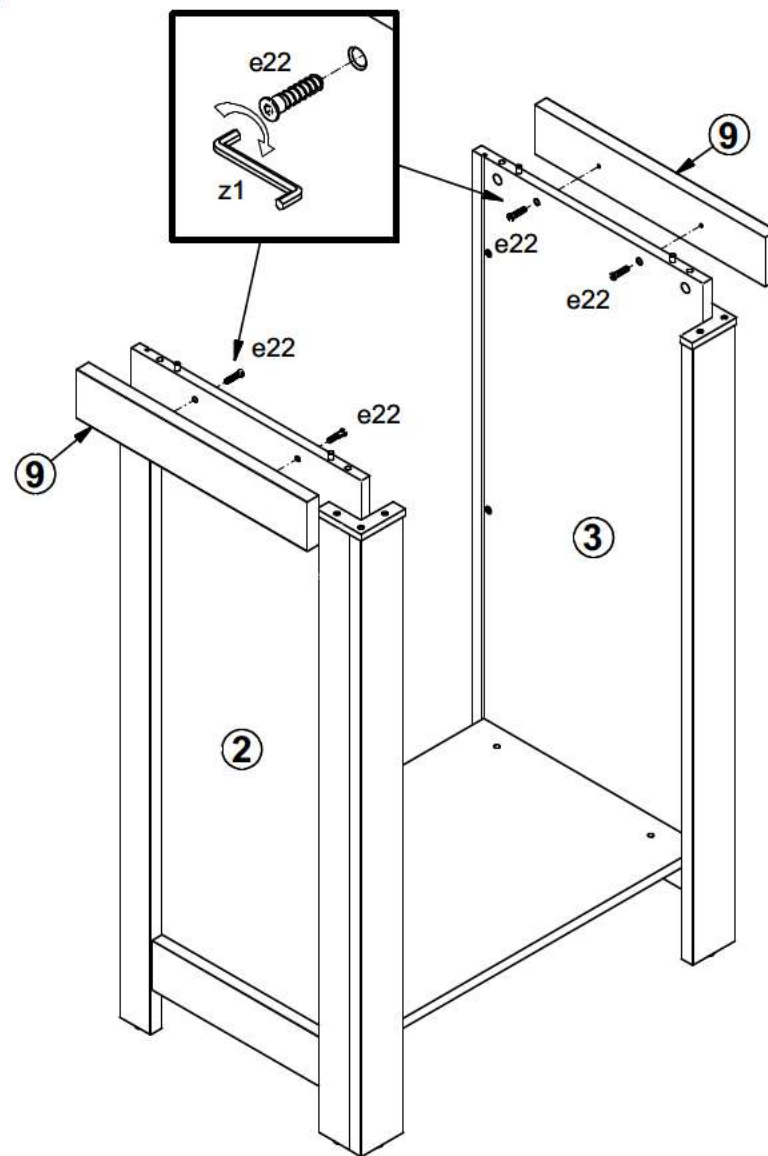
3



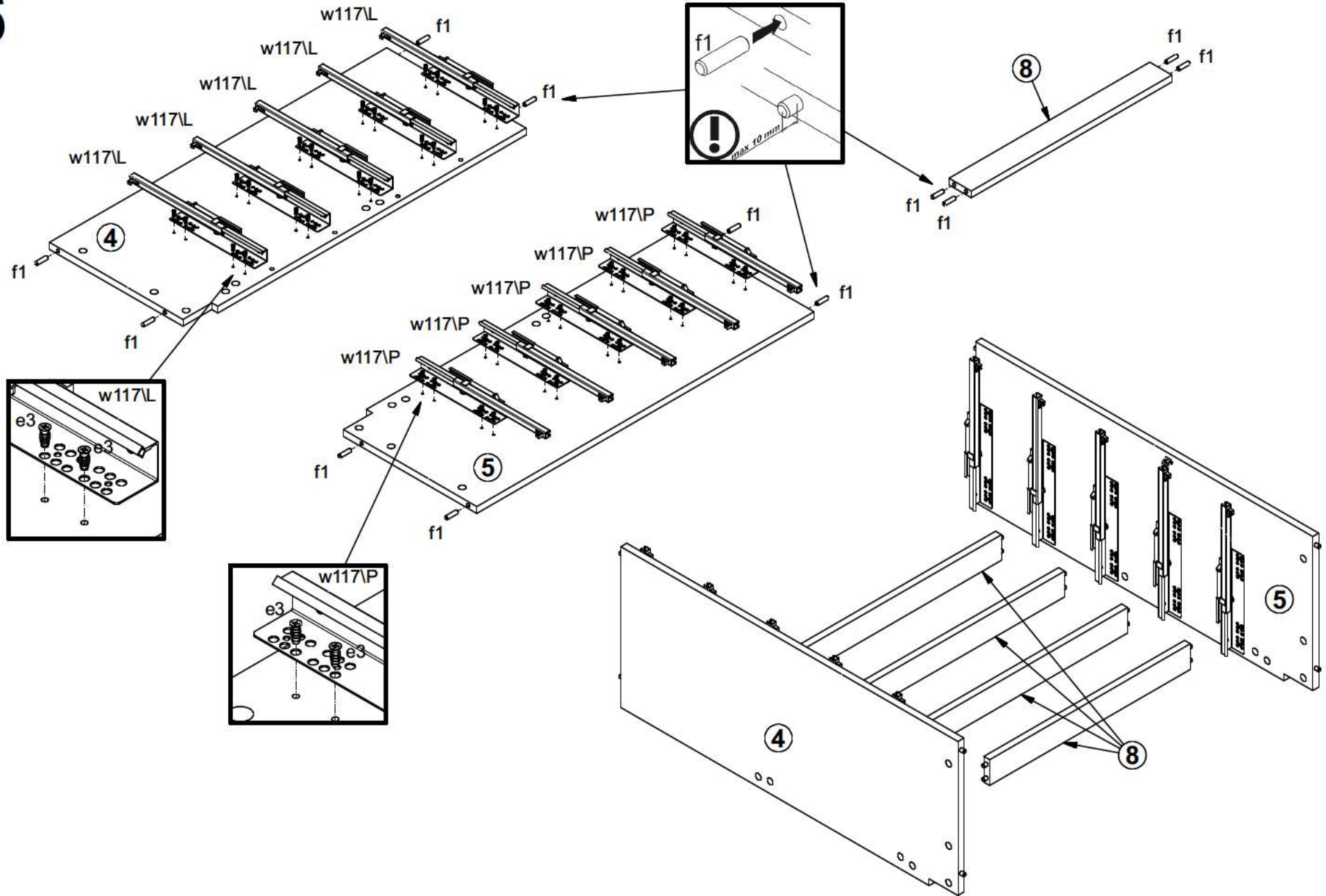
4



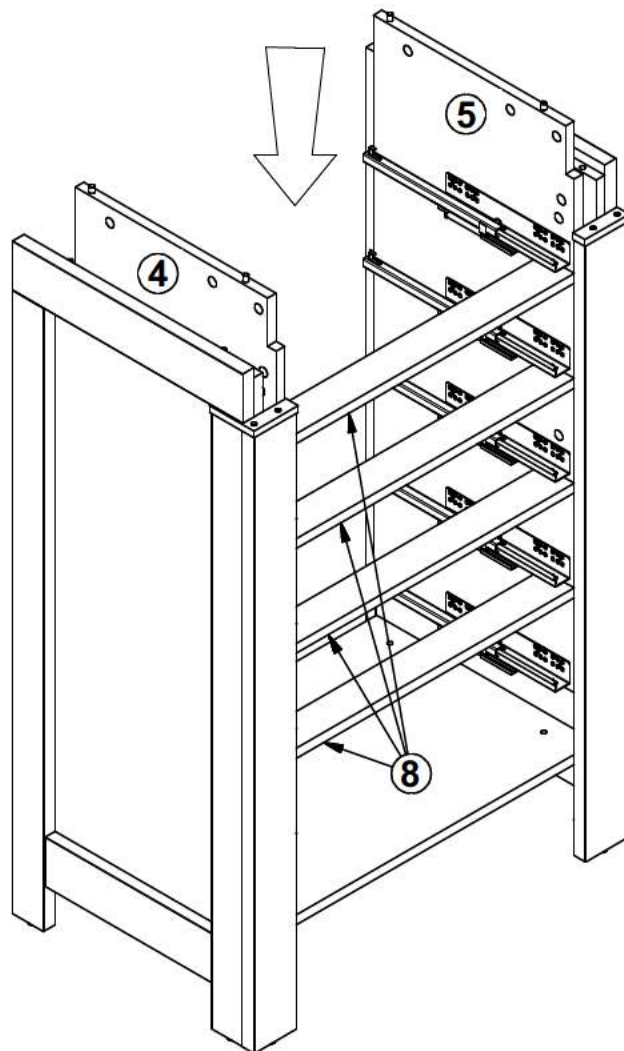
5



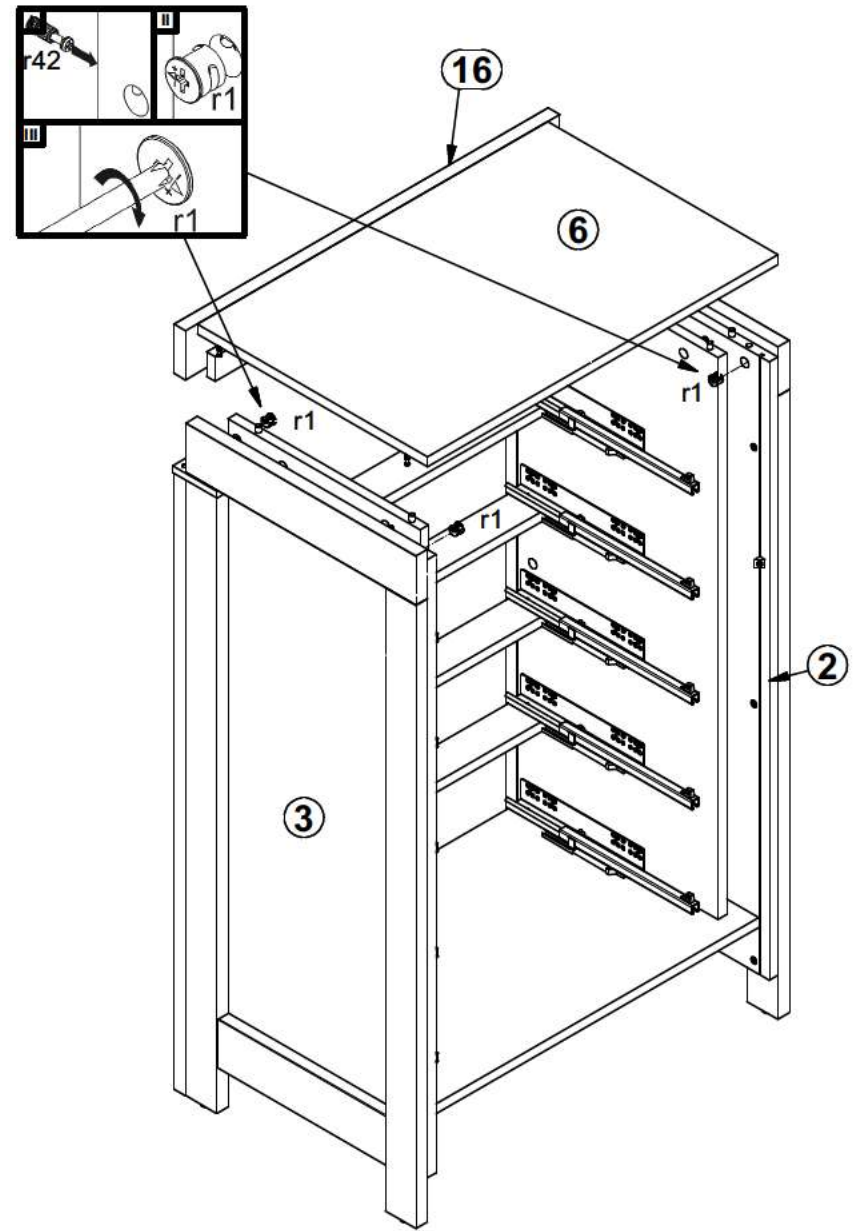
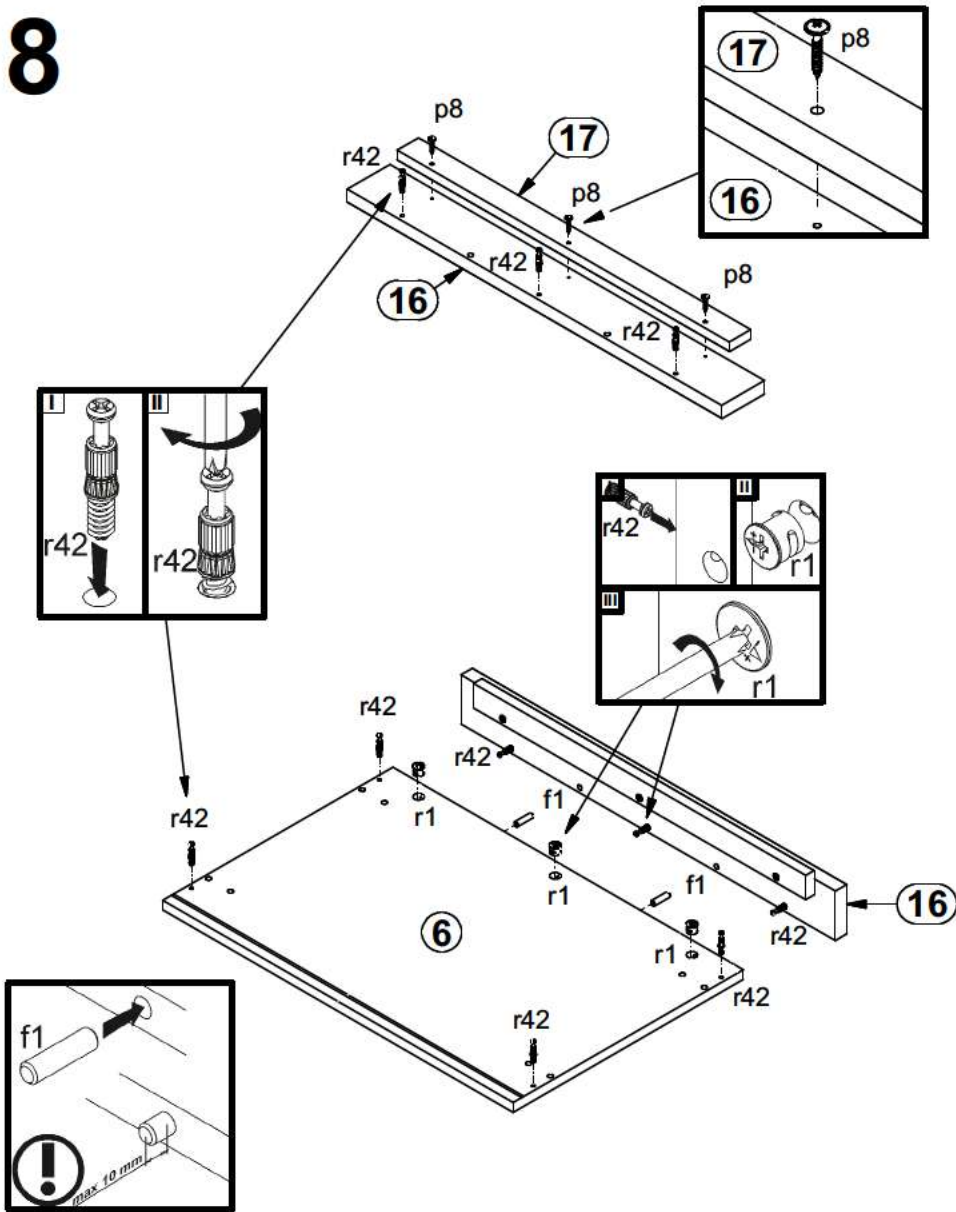
# 6



7

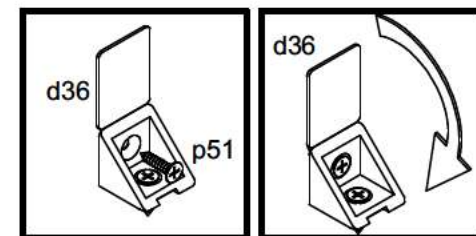
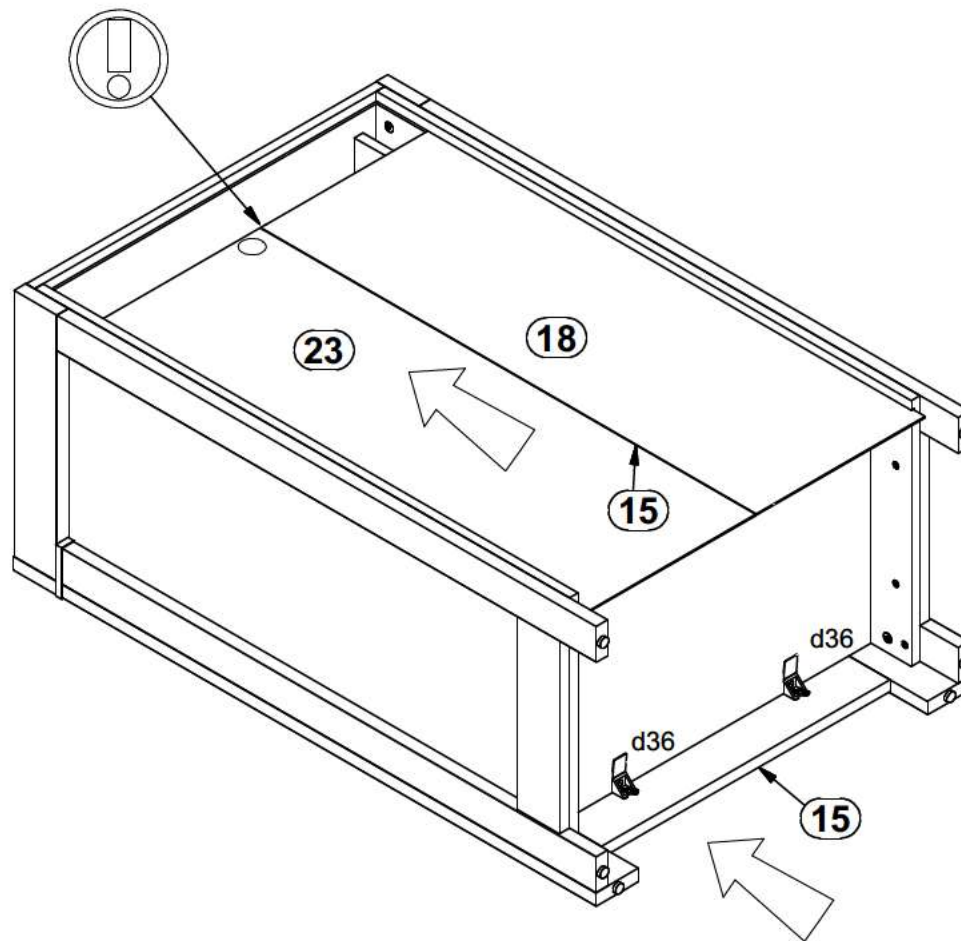
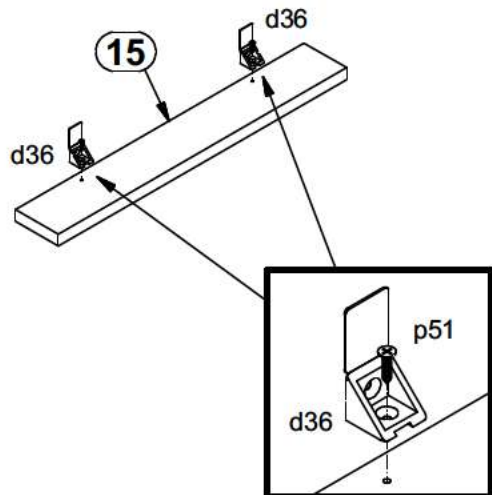


8

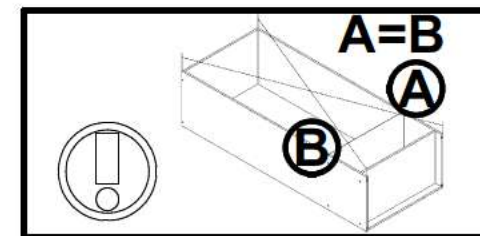
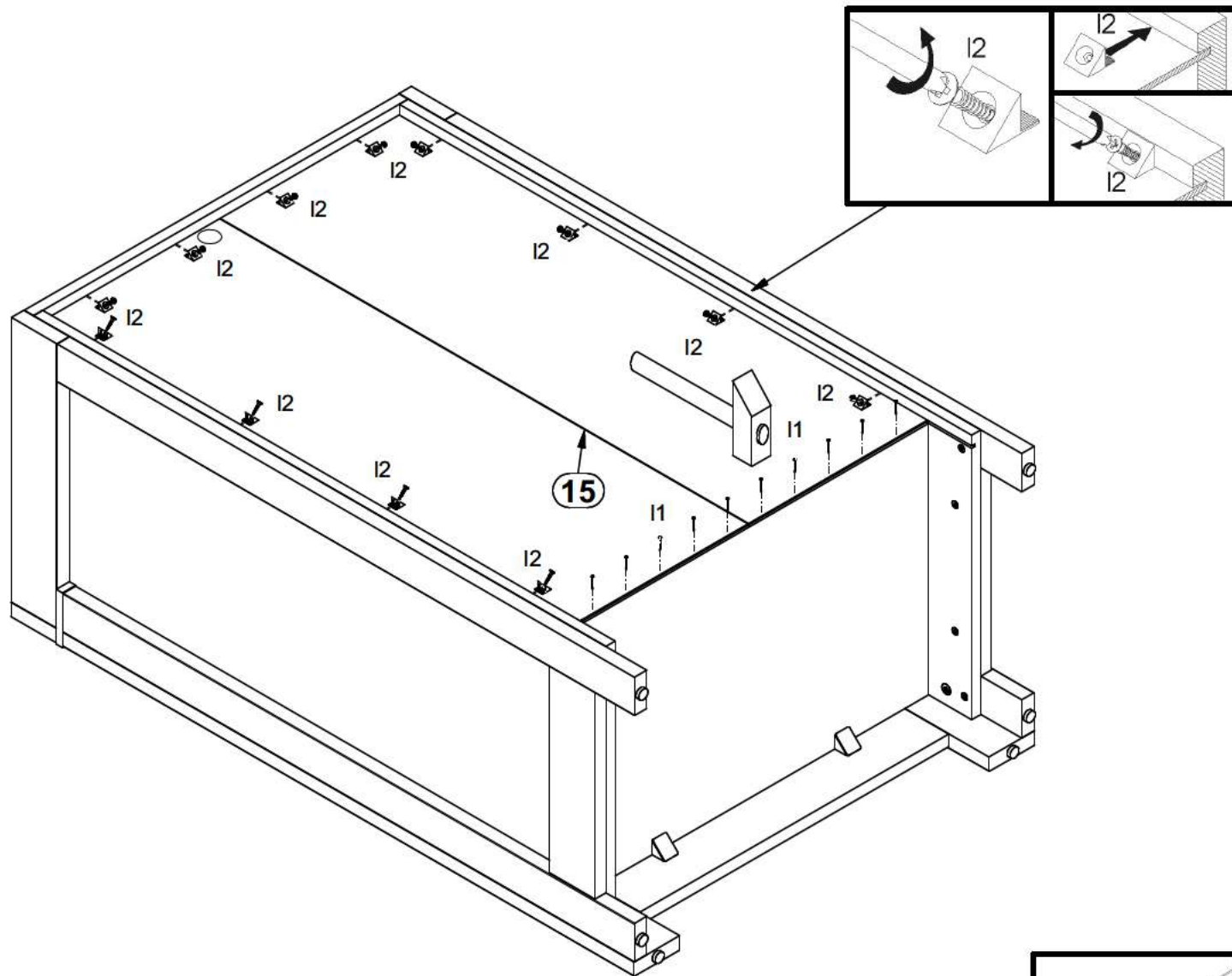




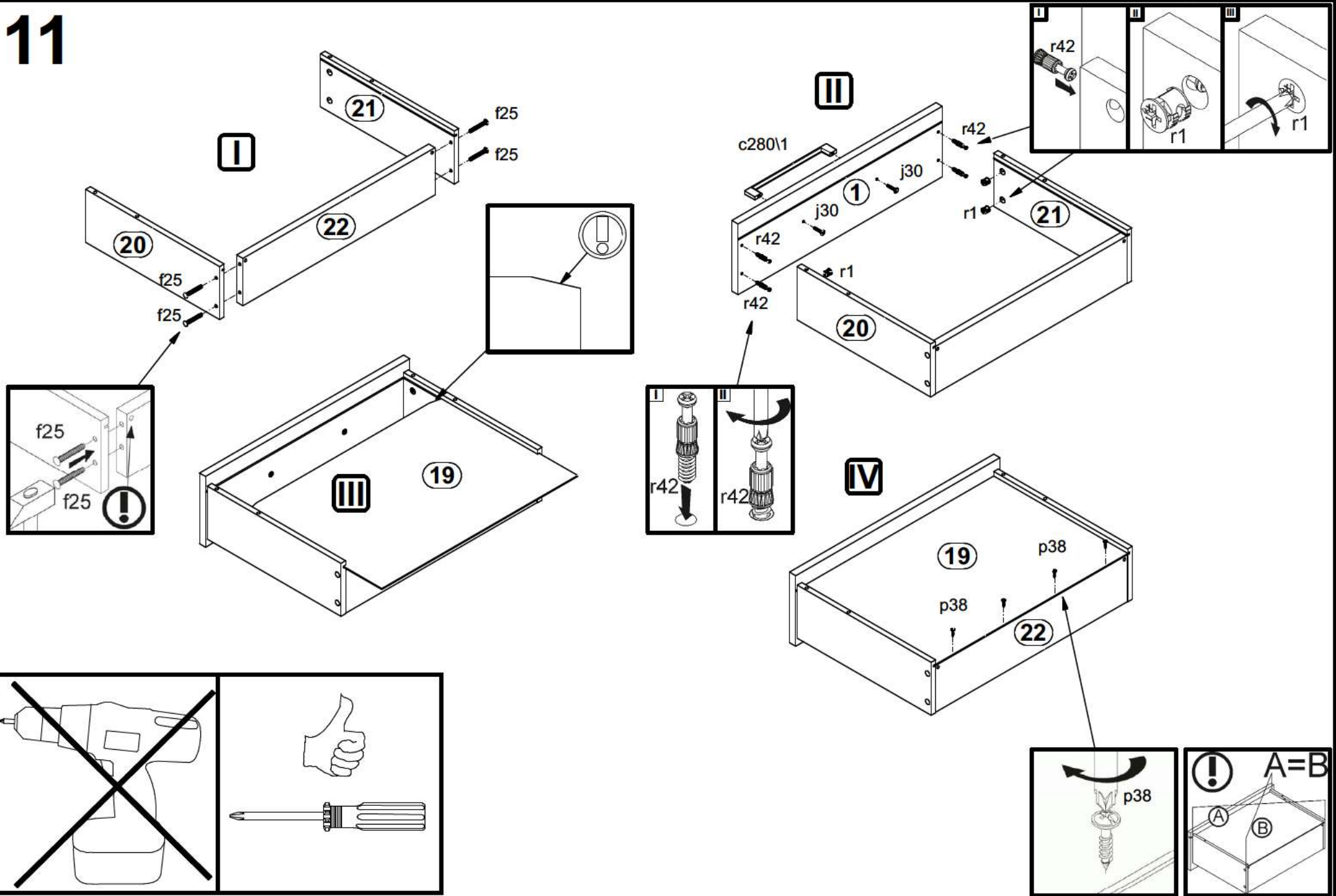
# 9



# 10



# 11



# 12

