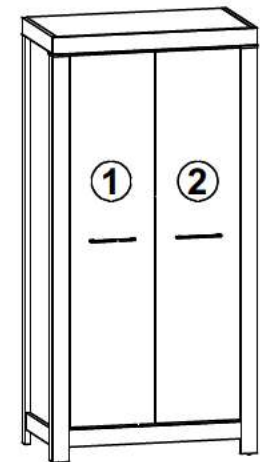
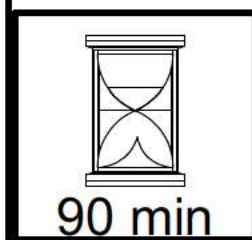


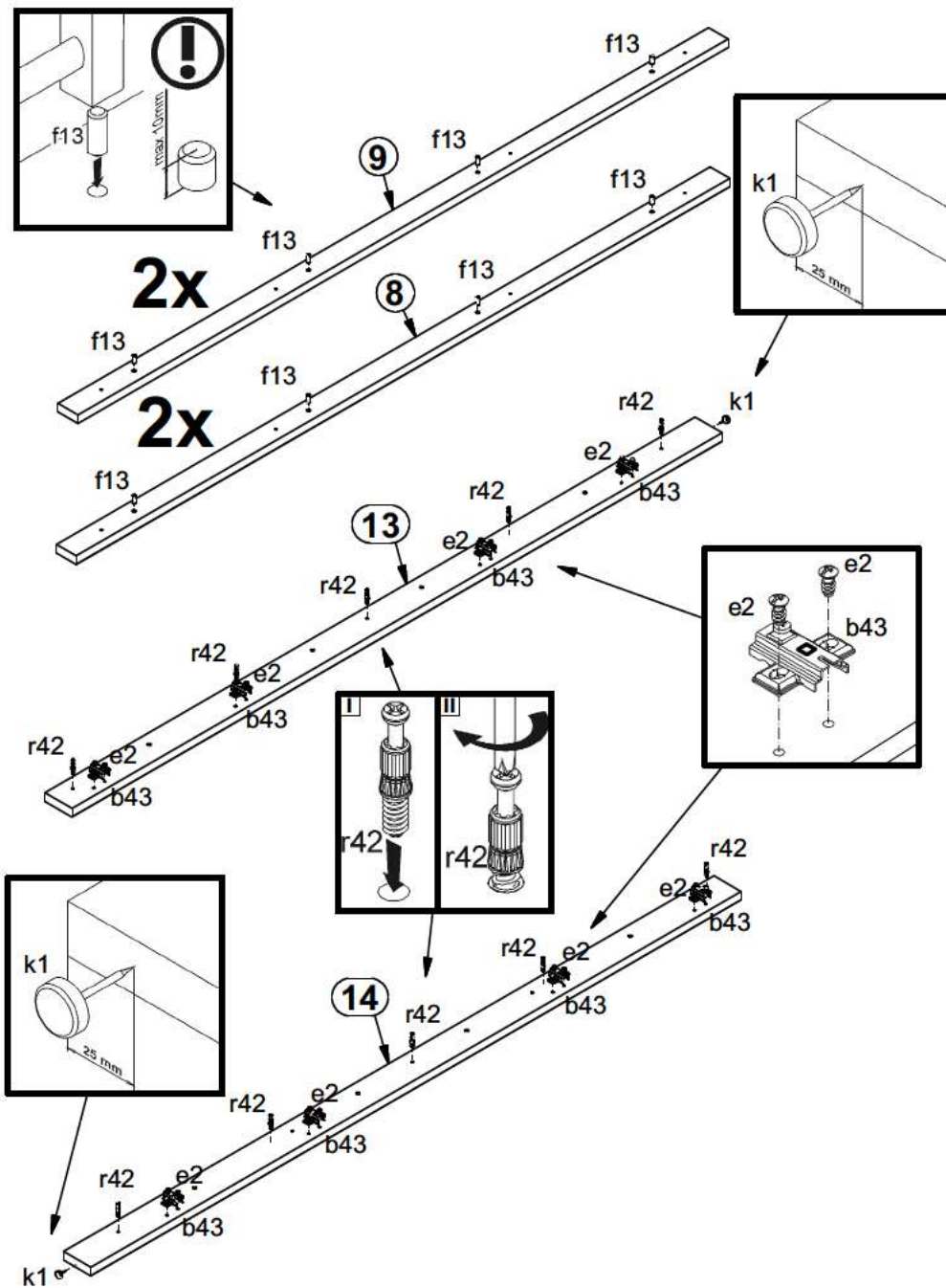
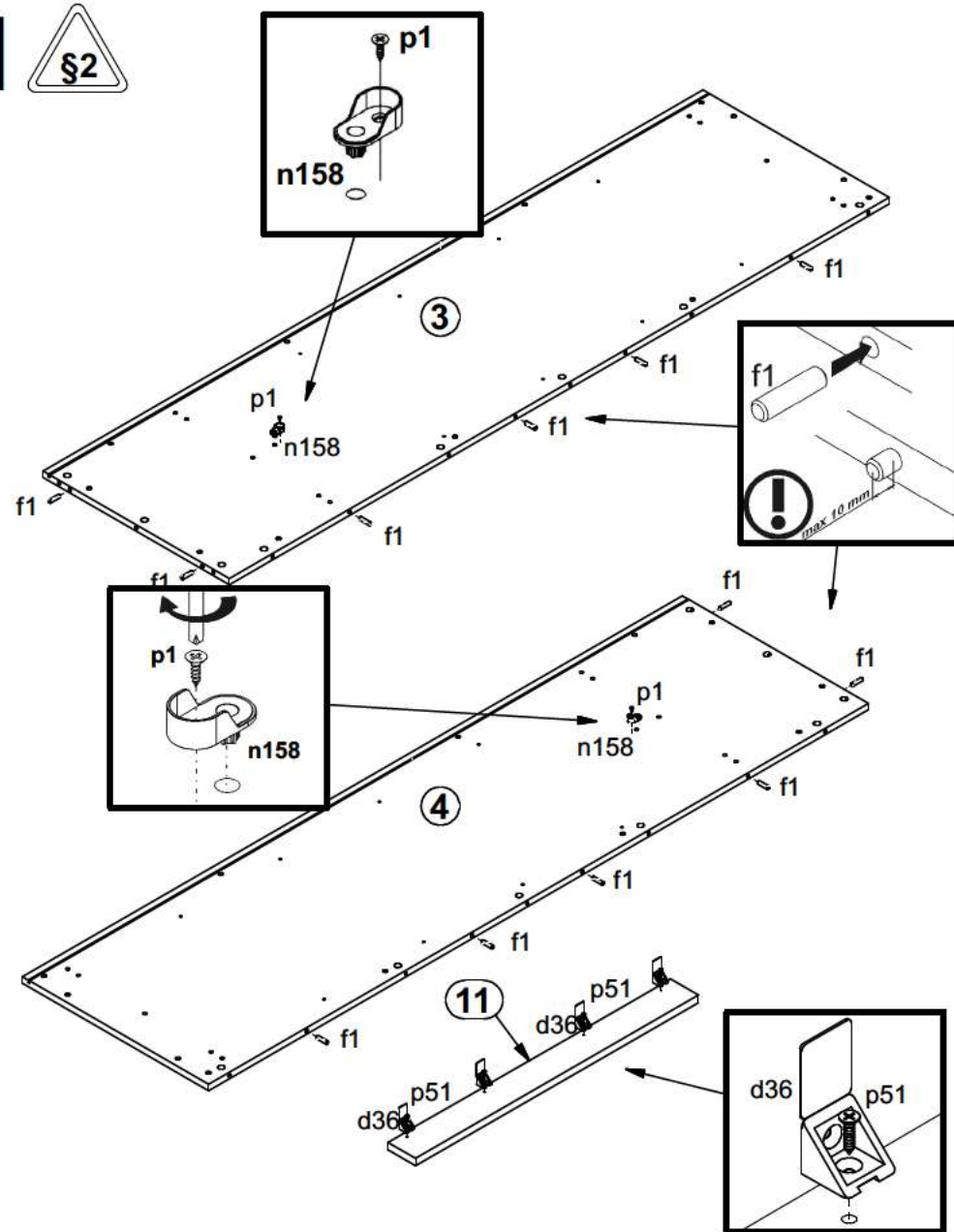
| A | B | C (mm) | | D |
|----|------------|--------|-----|-----|
| 1 | S228 016 | 1750 | 402 | 3/4 |
| 2 | S228 017 | 1750 | 402 | 3/4 |
| 3 | S228 130 | 1914 | 540 | 1/4 |
| 4 | S228 131 | 1914 | 540 | 1/4 |
| 5 | S228 211 | 936 | 540 | 1/4 |
| 6 | S228 330 | 904 | 520 | 1/4 |
| 7 | S228 331 | 904 | 517 | 1/4 |
| 8 | S228N 5507 | 1920 | 58 | 2/4 |
| 9 | S228N 5509 | 1910 | 58 | 2/4 |
| 10 | S228N 5554 | 981 | 80 | 2/4 |
| 11 | S228N 5555 | 820 | 80 | 2/4 |
| 12 | S228N 5556 | 902 | 60 | 1/4 |
| 13 | S228N 5557 | 1910 | 80 | 2/4 |
| 14 | S228N 5558 | 1910 | 80 | 2/4 |
| 15 | S228N 5581 | 540 | 80 | 2/4 |
| 16 | S228N 5583 | 424 | 80 | 2/4 |
| 17 | S228 582 | 1738 | 29 | 1/4 |
| 18 | S228 961 | 1840 | 456 | 1/4 |
| 19 | dr 897x30 | 897 | 30 | 1/4 |
| 20 | S228 3332 | 903 | 515 | 4/4 |
| 21 | Lh 1810 | 1810 | 14 | 1/4 |

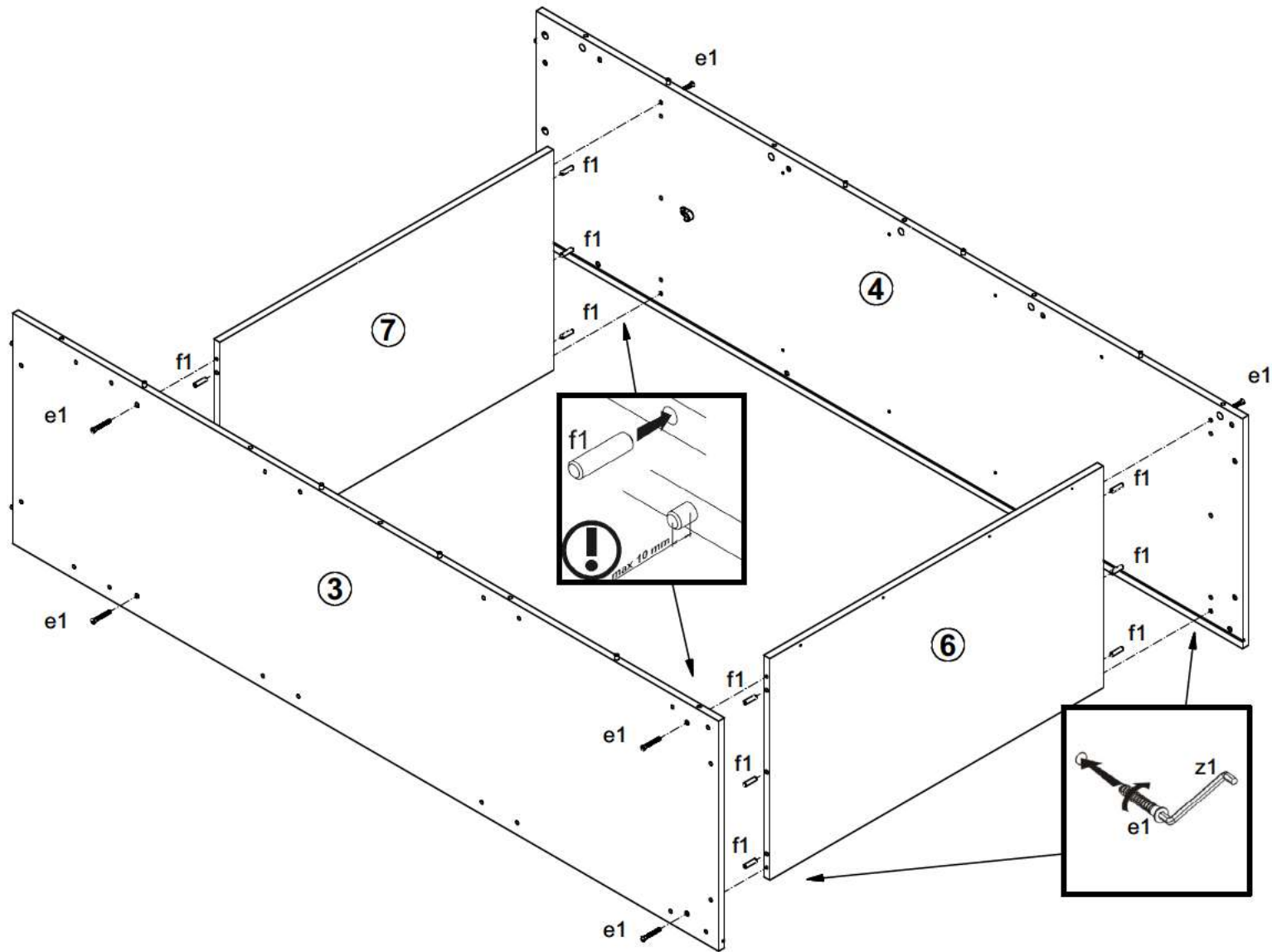
8x a132 4x a133 8x b43 2x c280\1
 4x d36 8x e1 (L7 x50 mm) 16x e2 (L6 3x13 mm) 24x e22 (L7 x28 mm)
 26x f1 (L8 x30 mm) 16x f13 (L8 x20 mm) 1x f35 (L11 0x50 mm) 6x k1 4x j30 (M4 x22 mm)
 2x k101 20x l1 14x l2 1x n14\2 2x n158 4x o21 (silikon)
 2x p1 (L8 5x13 mm) 4x p8 (L4 x25 mm) 1x p17 (L5 x60 mm)
 10x p38 (L8 5x16 mm) 24x p51 (L8 5x15 mm) 4x p79 (L8 5x20 mm) 20x r1 (L11 5x12 mm #16) 20x r42 (20\11) 16x s1 12x s2 (L11 6) 1x z1 16x d1 (Ø5x17 mm)

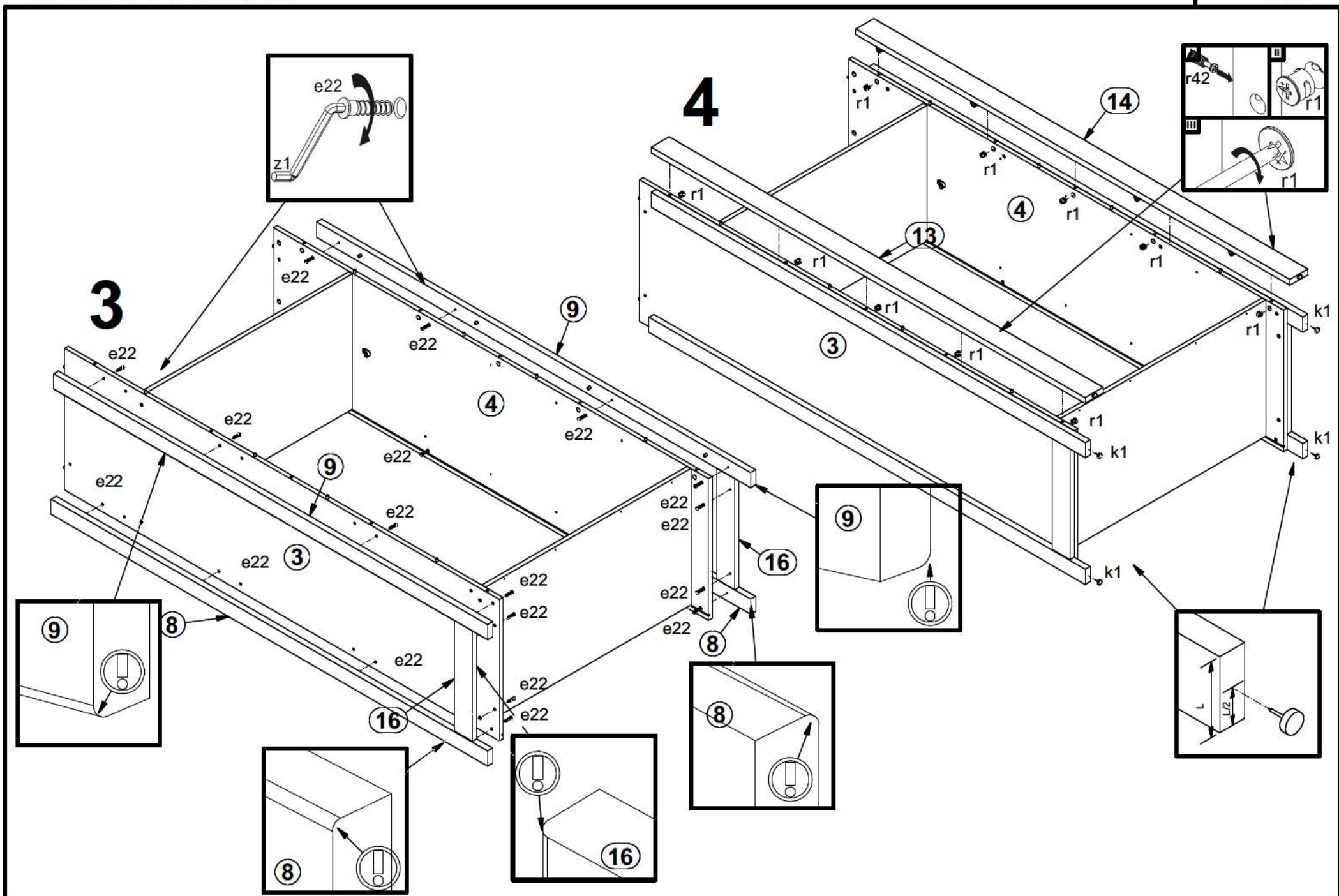
cm 0 1 2 3 4 5 6 7 8 9 10



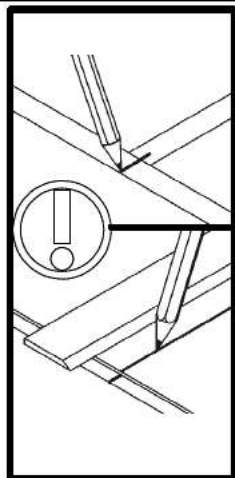
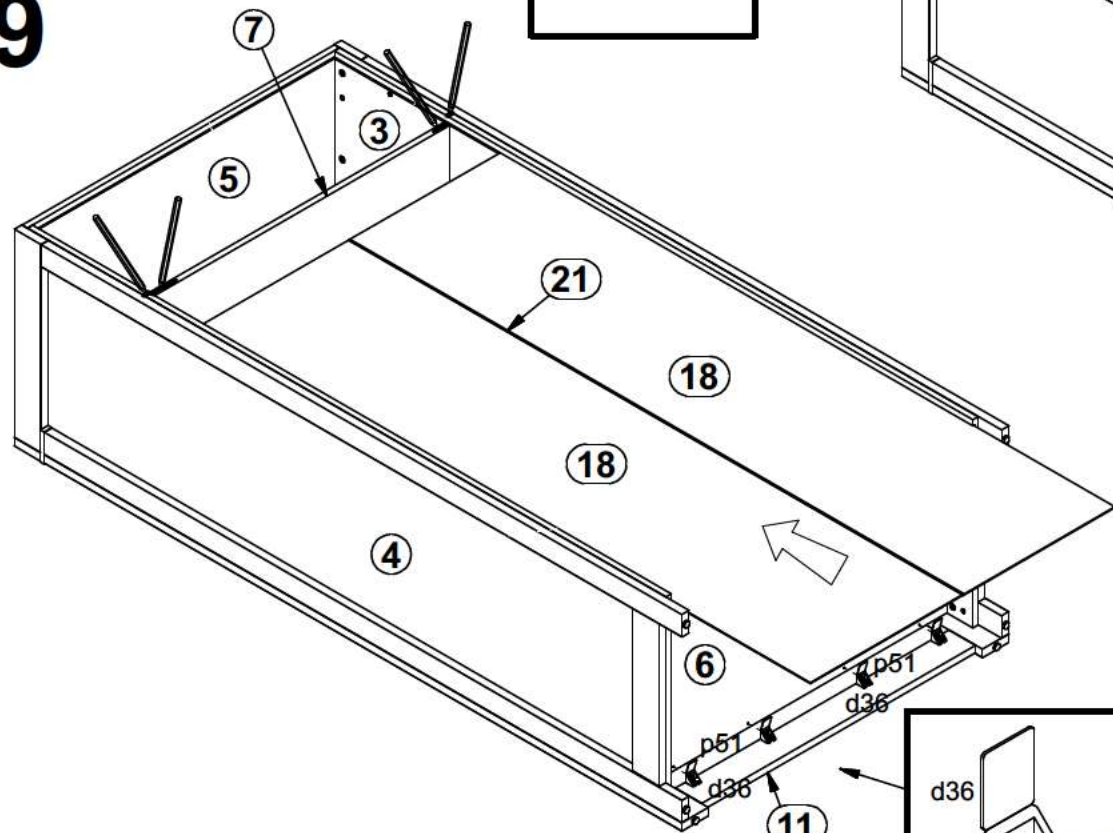
1 



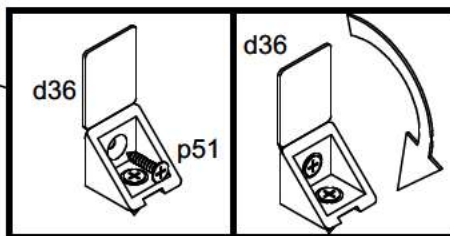
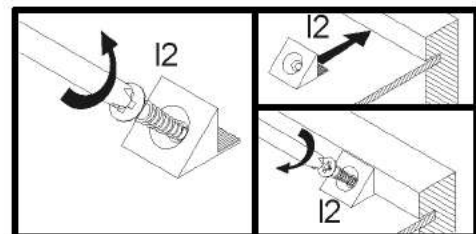
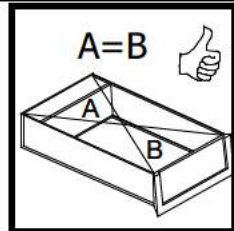
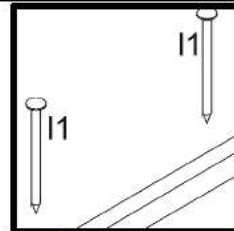
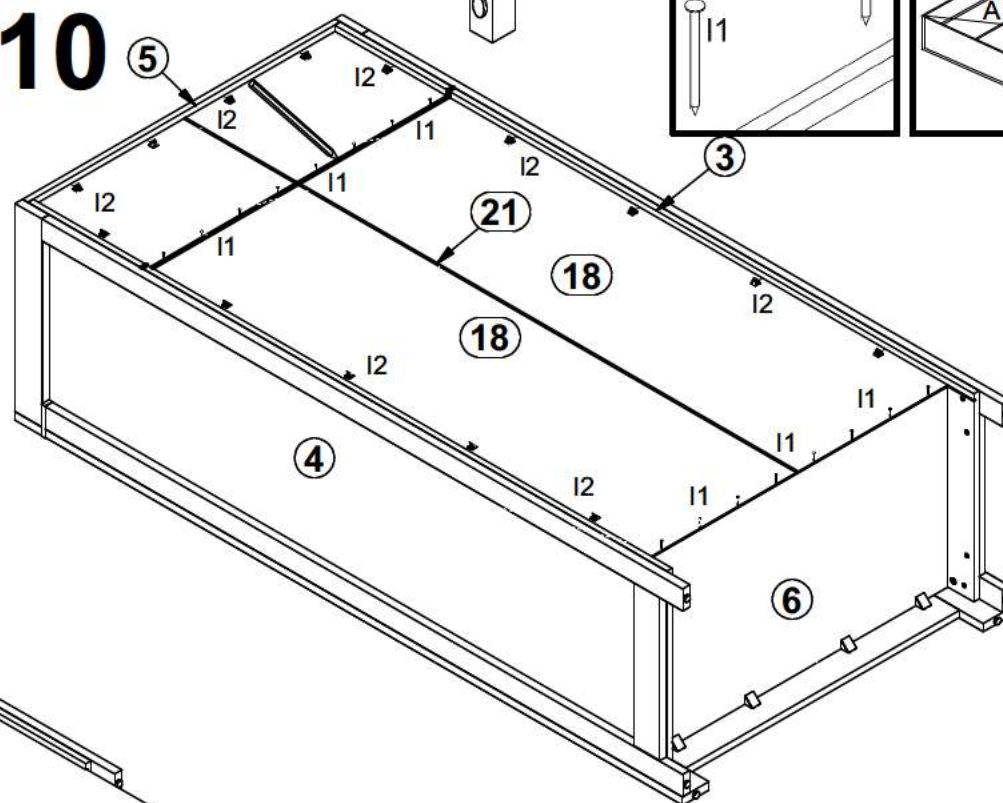
2  §6



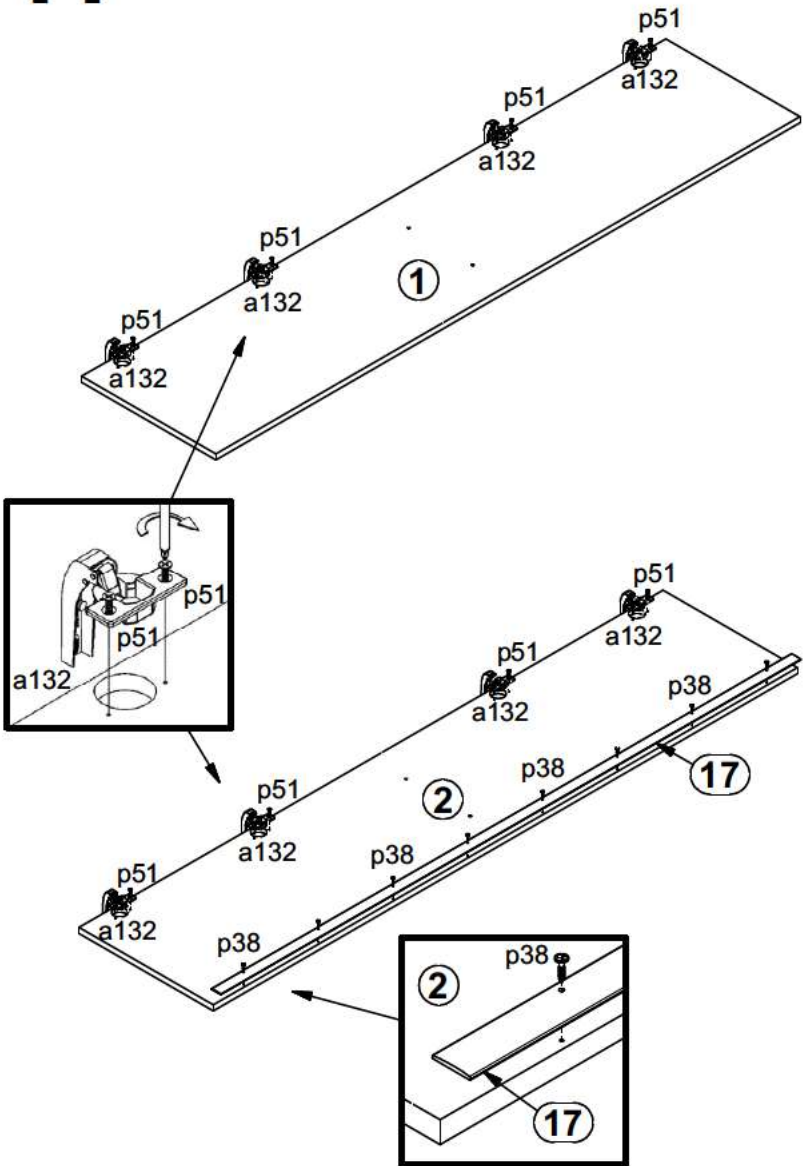
9



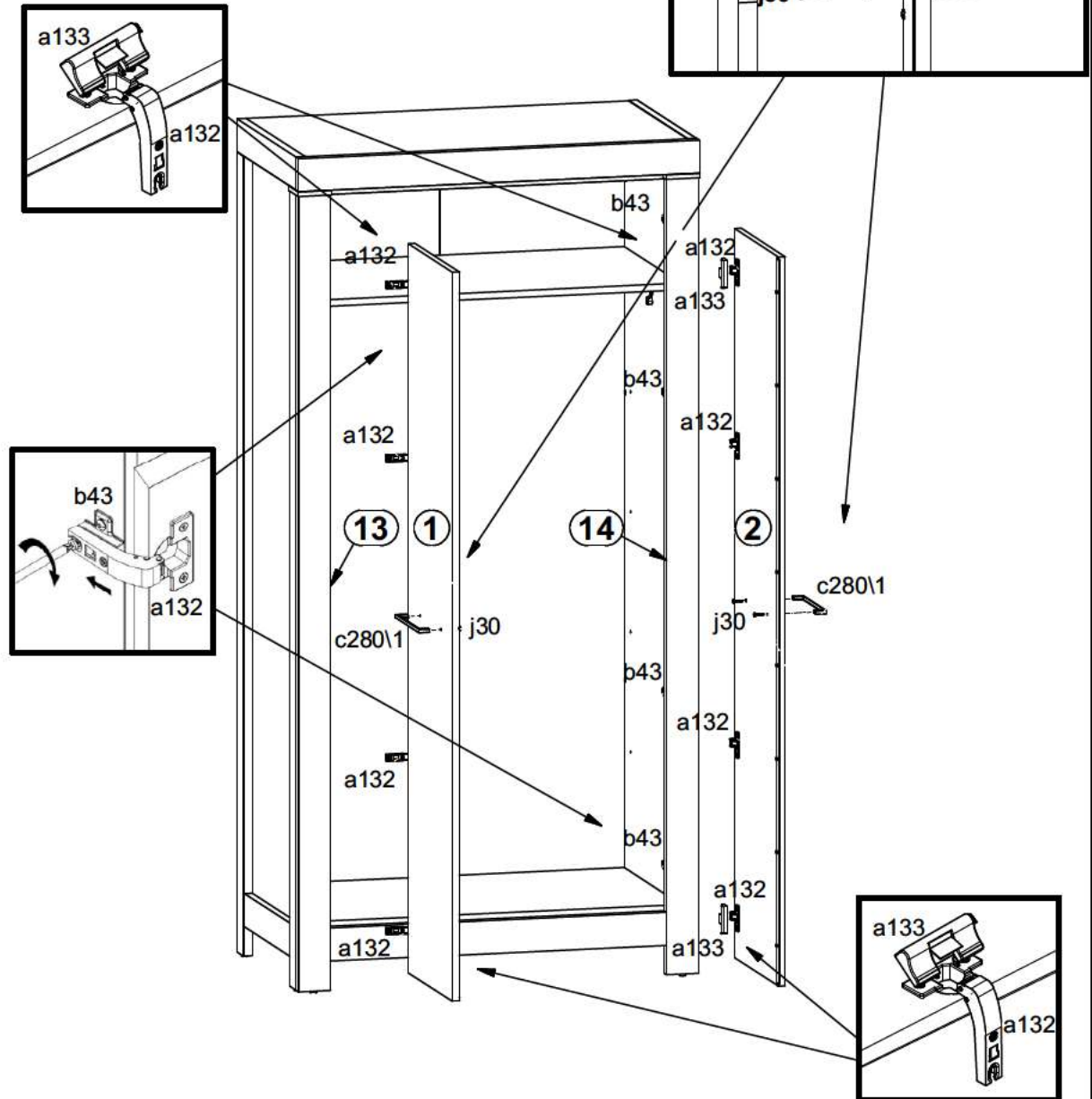
10



11



12



13

