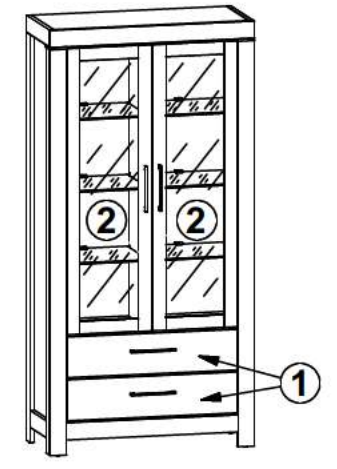
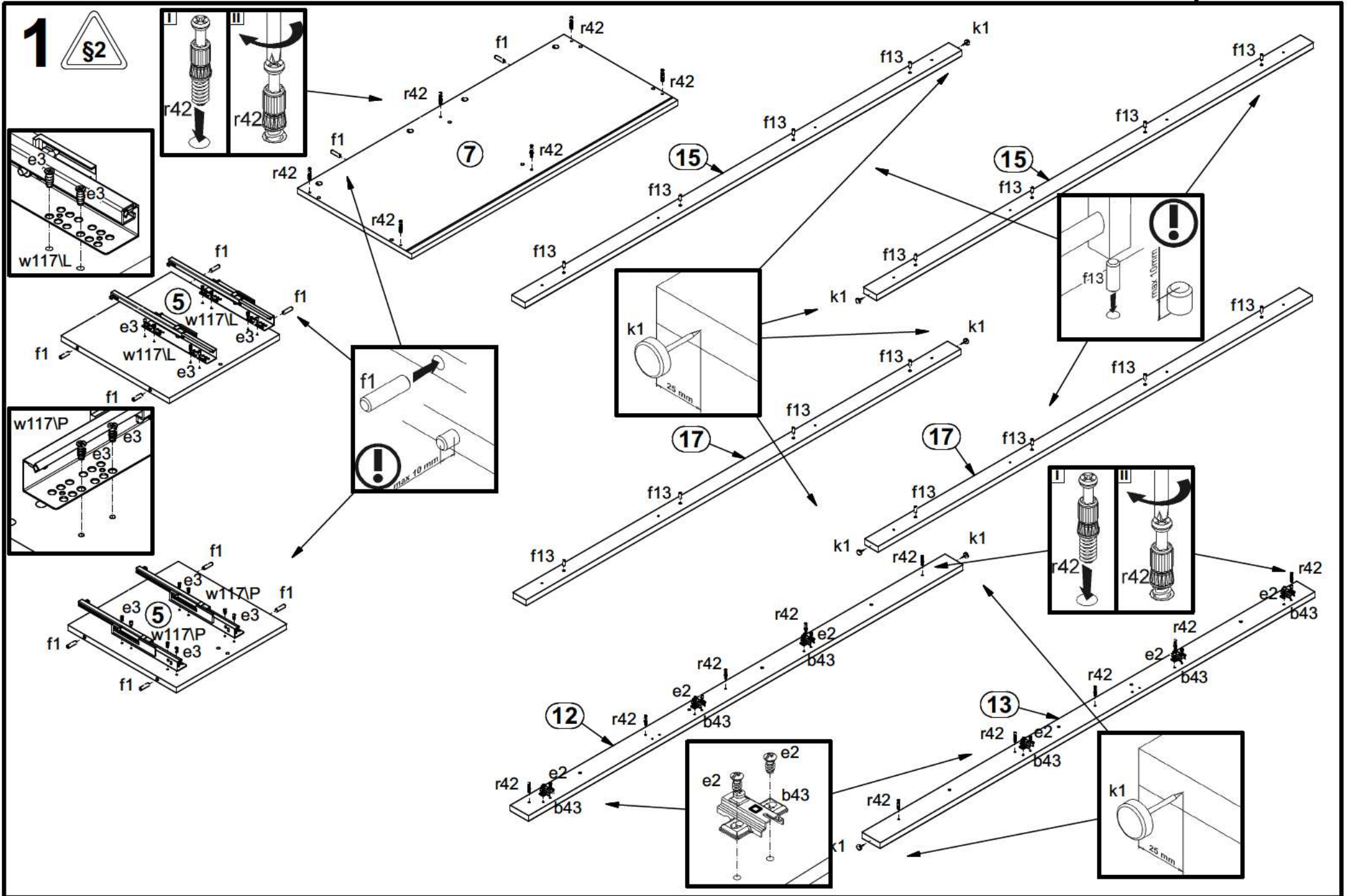


A	B	C (mm)		D
1	S228 0014	814	192	2/3
2	S228 015	1346	402	3/3
3	S228 101	1914	401	1/3
4	S228 102	1914	401	1/3
5	S228 103	388	381	2/3
6	S228 129	1416,5	381	3/3
7	S228 210	936	401	3/3
8	S228 3327	904	381	2/3
9	S228 3328	904	381	2/3
10	S228 329	437	371	3/3
11	S228 4410	808	60	2/3
12	S228N 5504	1910	80	1/3
13	S228N 5505	1910	80	1/3
14	S228N 5506	401	80	1/3
15	S228N 5507	1920	58	1/3
16	S228N 5508	285	80	1/3
17	S228N 5509	1910	58	1/3
18	S228N 5554	981	80	1/3
19	S228N 5555	820	80	1/3
20	S228N 5556	902	60	2/3
21	S228 960	1840	456	1/3
22	S228 9977	778	358	2/3
23	BPK 511	350	140	2/3
24	BPK 512	350	140	2/3
25	ZBK 509	768	127	2/3
26	Lh 1810	1810	14	1/3

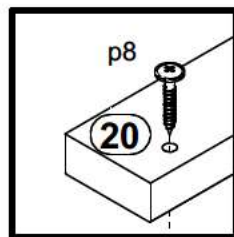
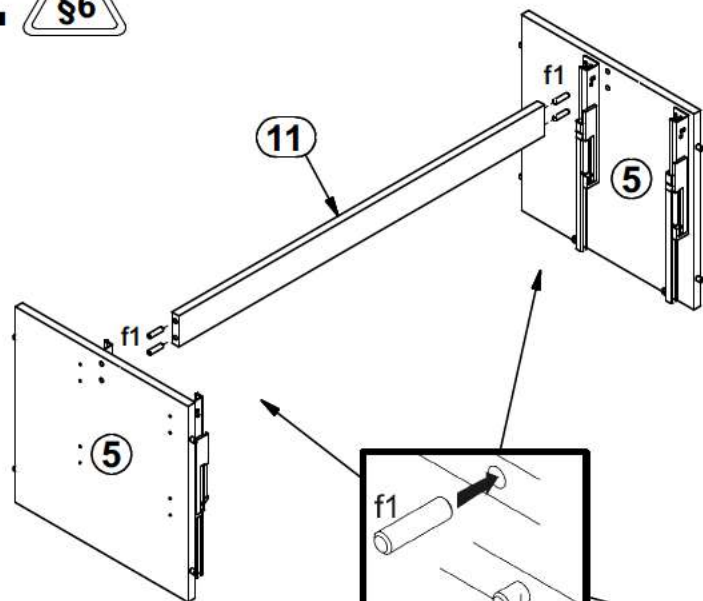
cm 0 1 2 3 4 5 6 7 8 9 10

6x a132	4x a133	6x b43	4x c280/L 192mm						
24x d33	4x d36	10x e1 U7x50 mm	12x e2 U6 3x13 mm	16x e3 U6x13 mm	24x e22 U7x28 mm	38x f1 U6x30 mm	16x f13 U6x20 mm	8x f25 U6 5x40 mm	
1x f35 U7 0x50 mm	8x j30 M4x22 mm	6x k1	2x k101	16x l1	14x l2	28x r1 U7 5x12 mm #16	28x r42 2x11	20x p51 U6 5x15 mm	
1x n142 88d 1x1915	4x n108 20x13x3 5/1	4x o21 silikon	1x o80/3	1x o80/4 9W	6x o85/1	4x p8 U4 x25 mm	1x p17 U5x60 mm	2x p25 U6 5x16 mm	16x s1
2x p35 U6 5x10 mm	14x p38 U6 5x16 mm	4x p55 U6 9x16 mm	4x p79 U3 5x20 mm	2x t35 350 mm	2x W117/L 350 mm	2x W117/P 350 mm	1x z1	16x s2 U6 16	

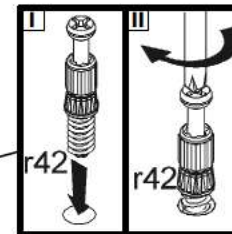
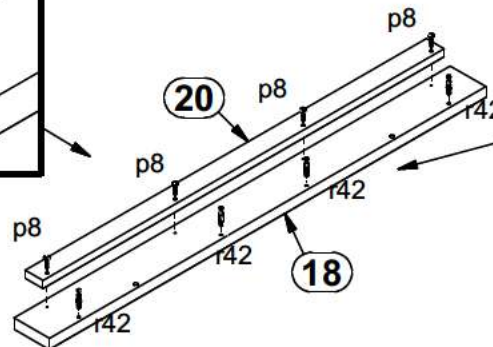




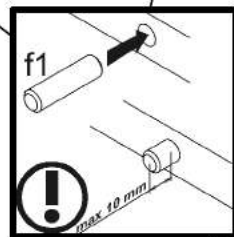
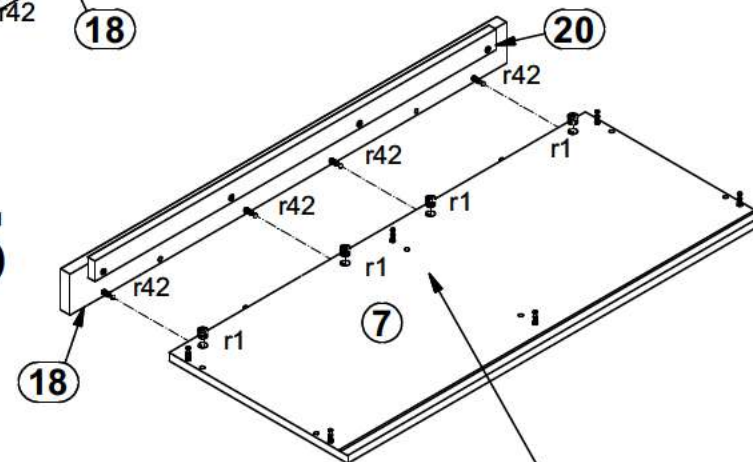
2 



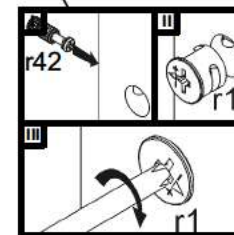
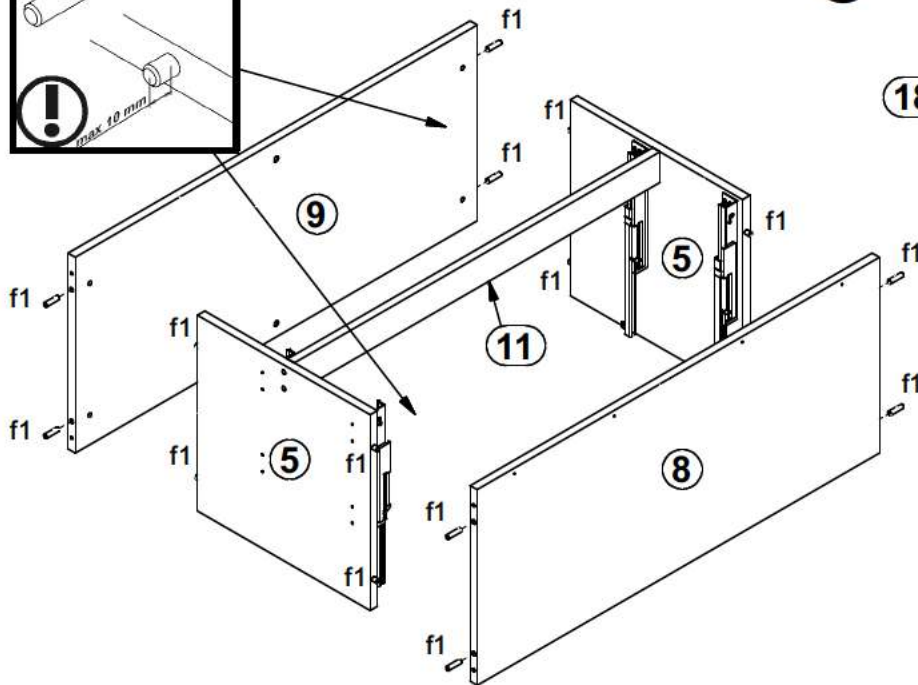
4

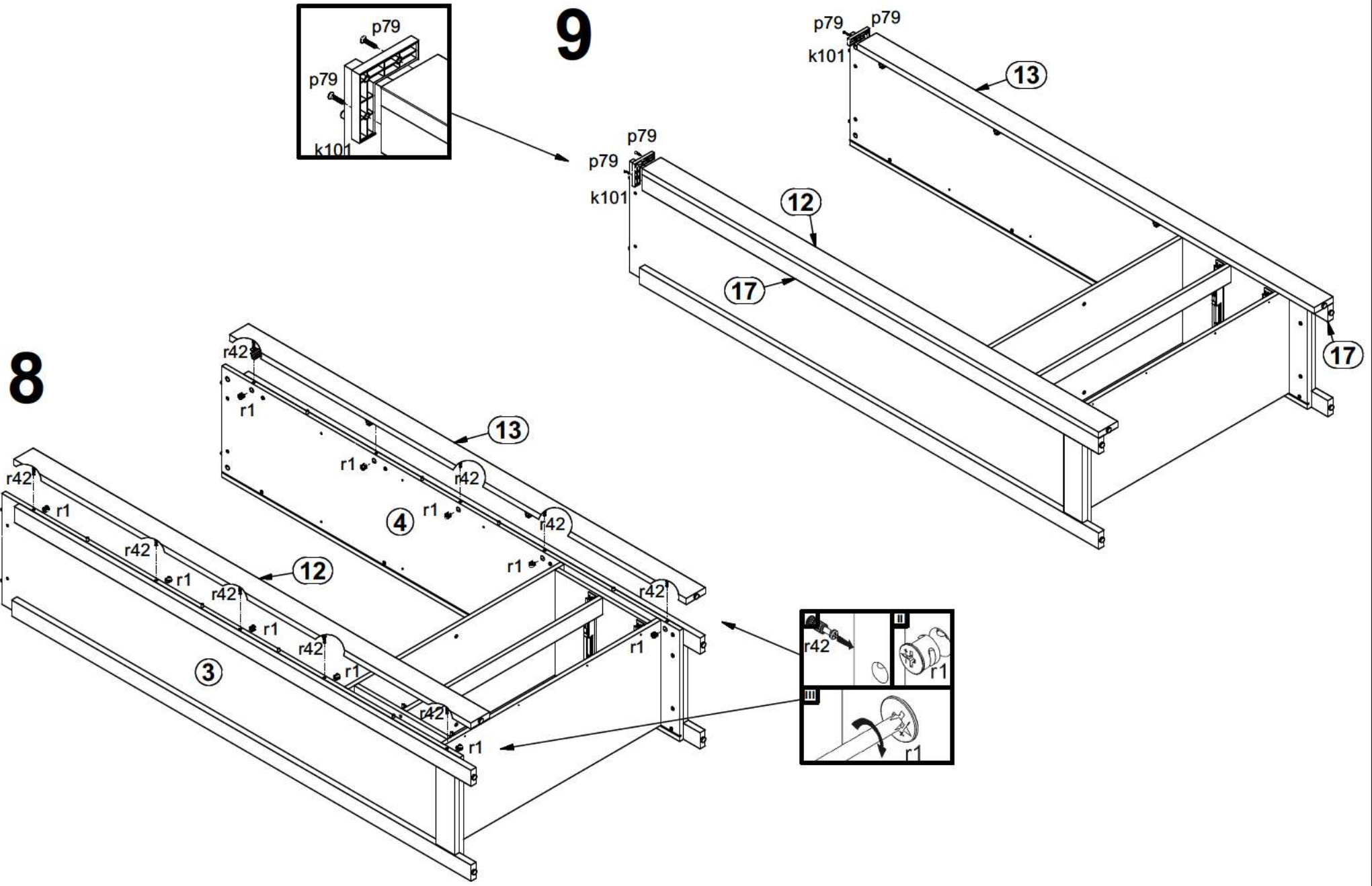


5



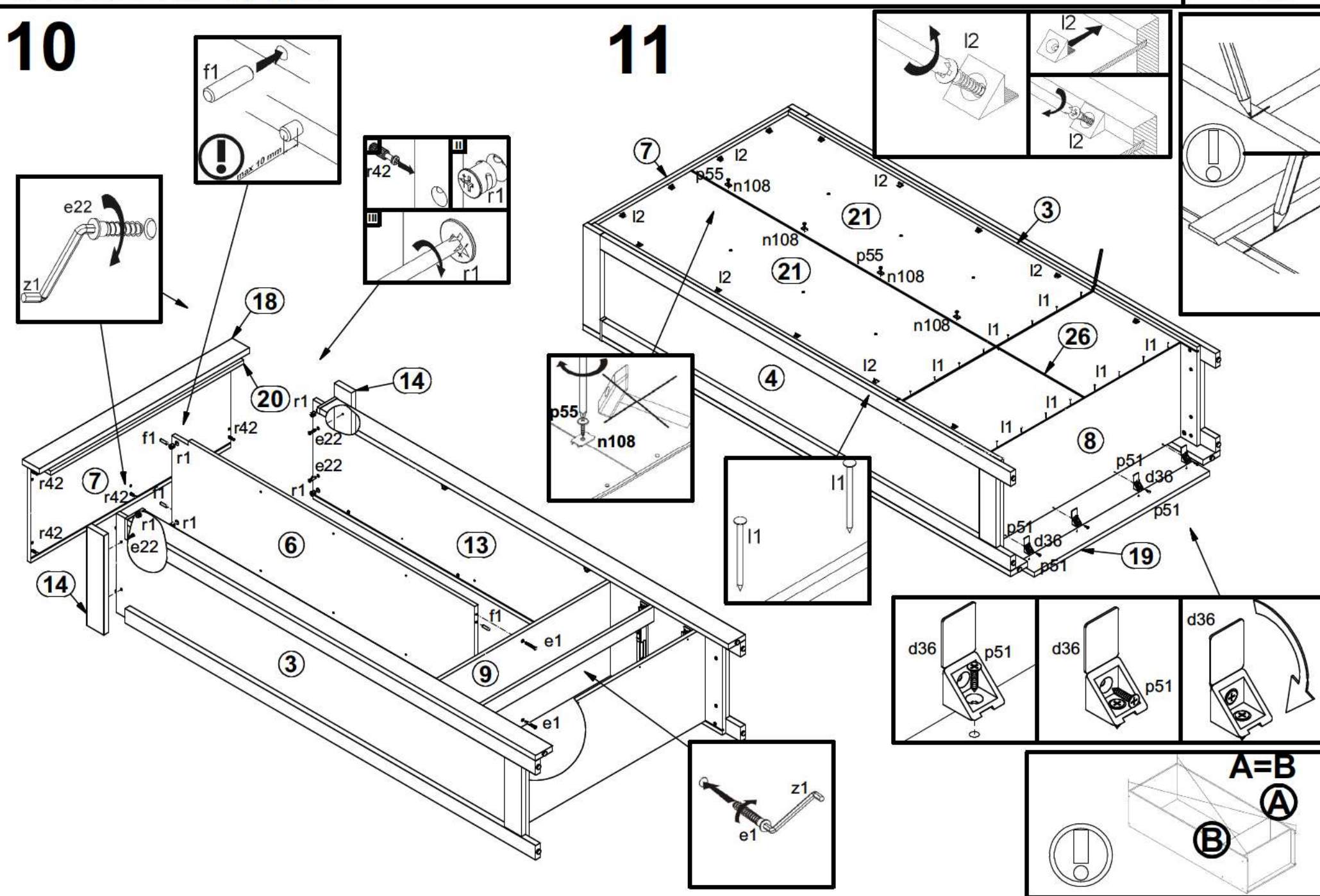
3



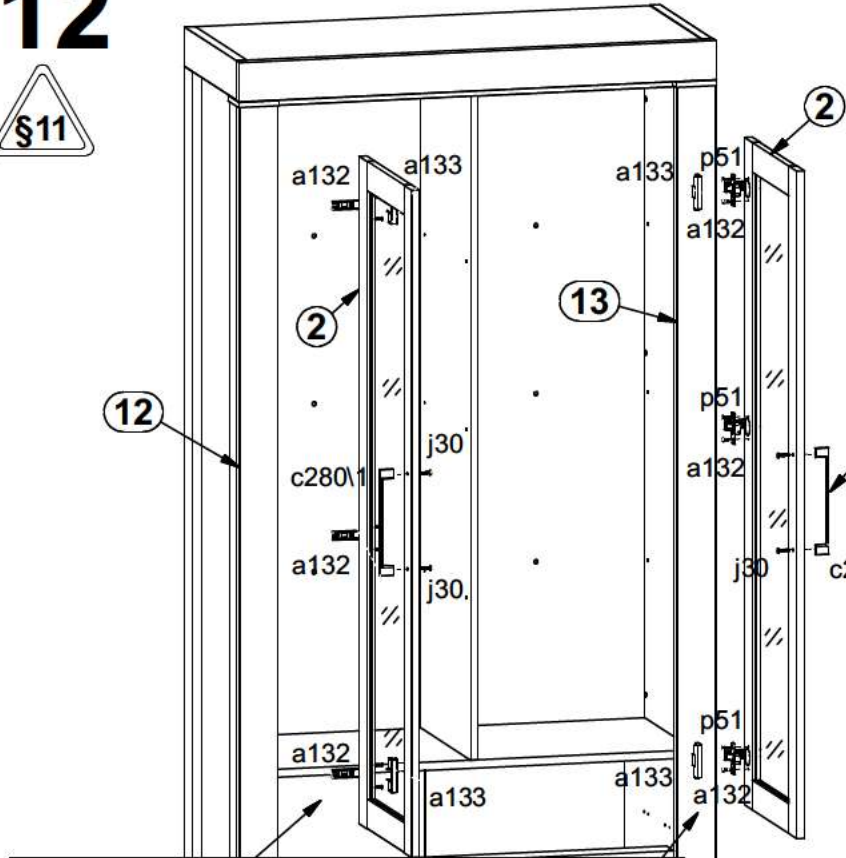


10

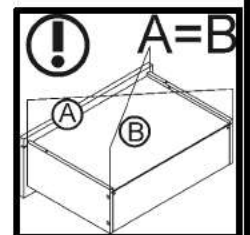
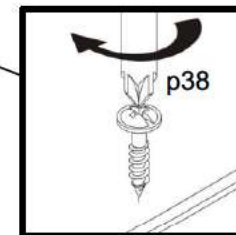
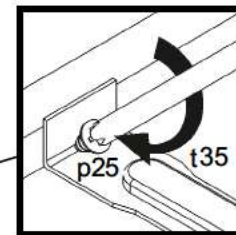
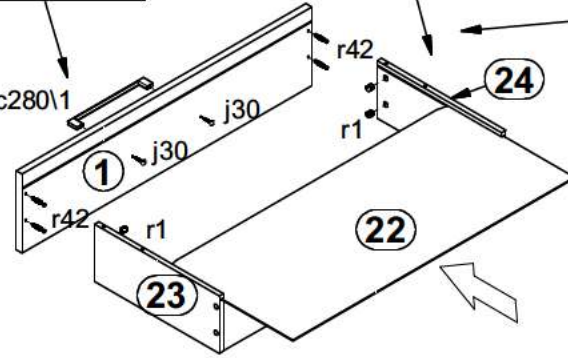
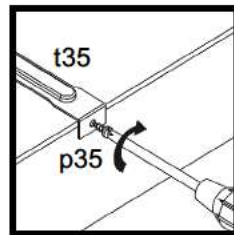
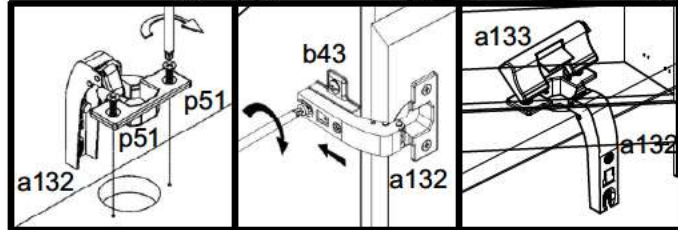
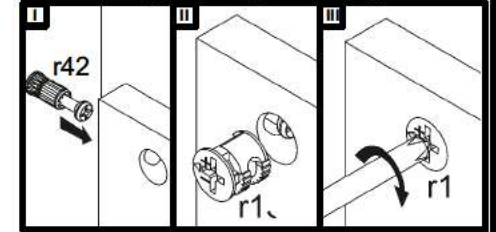
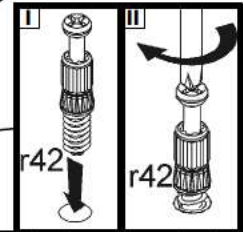
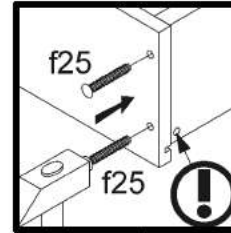
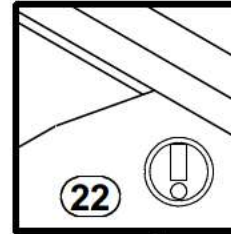
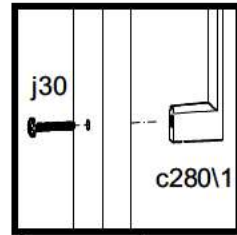
11



12

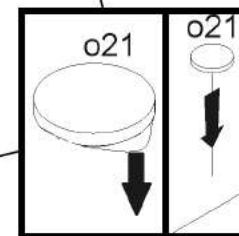
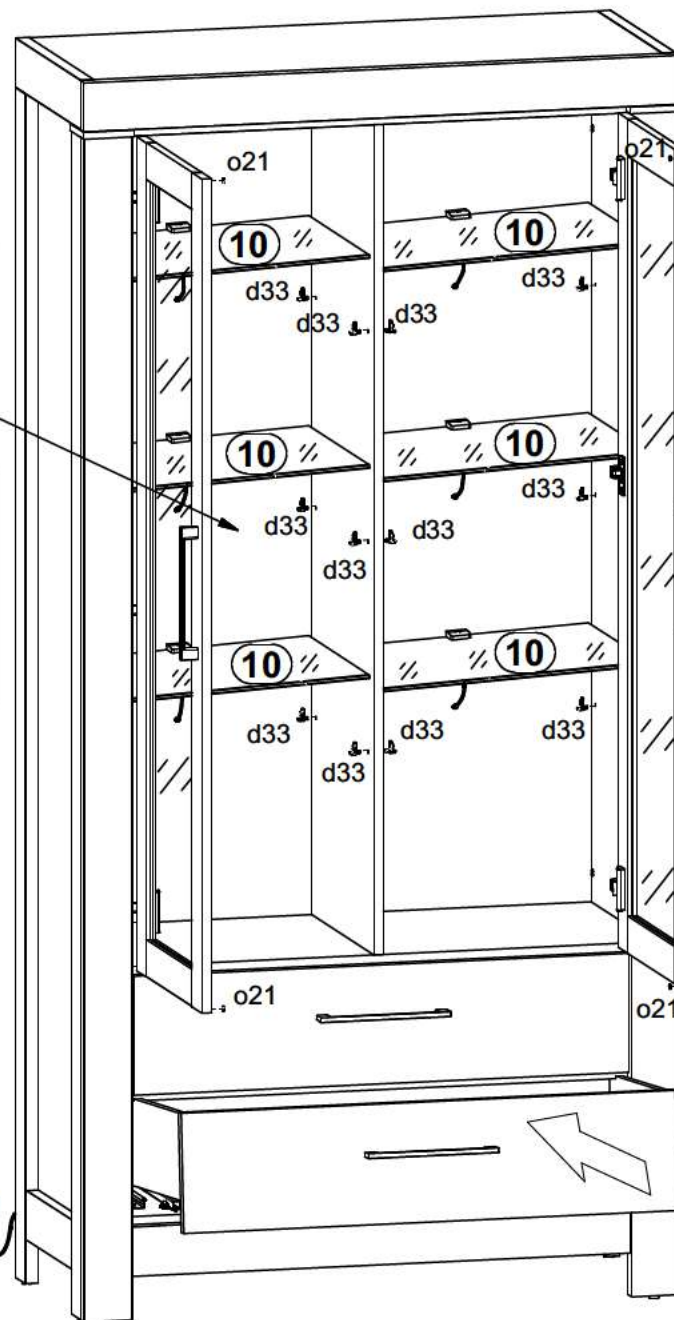
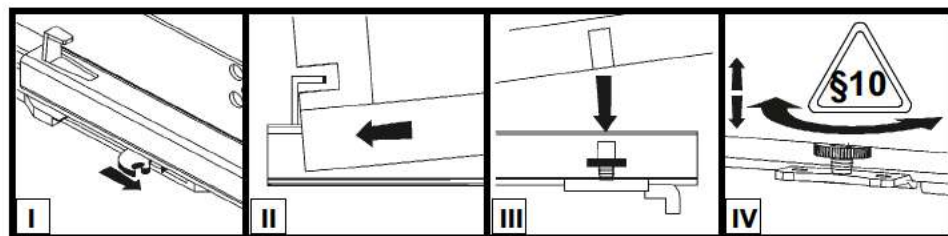
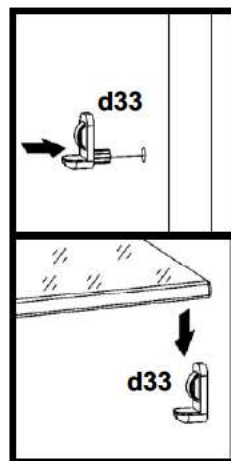
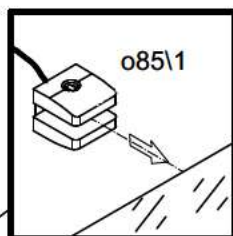


13 (2x)



14

§11



15

