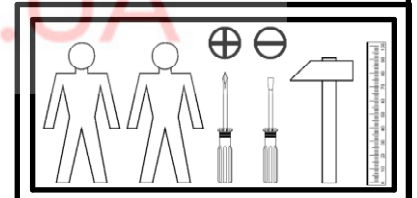
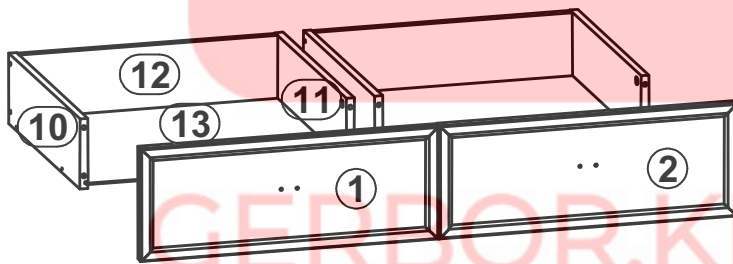
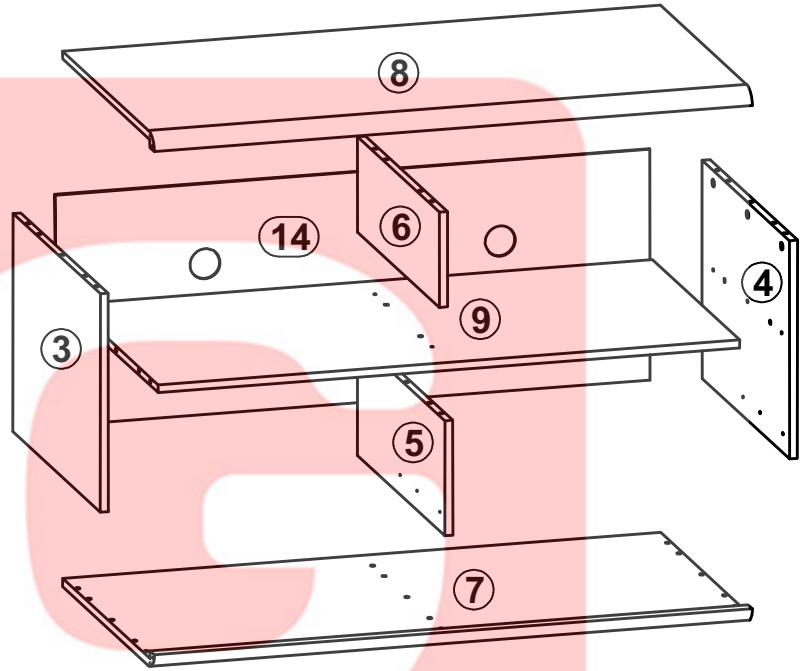
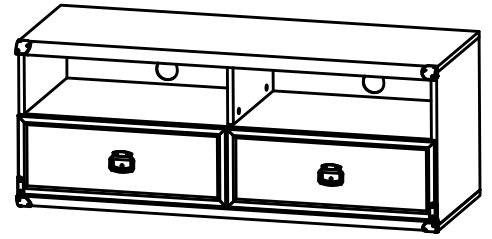


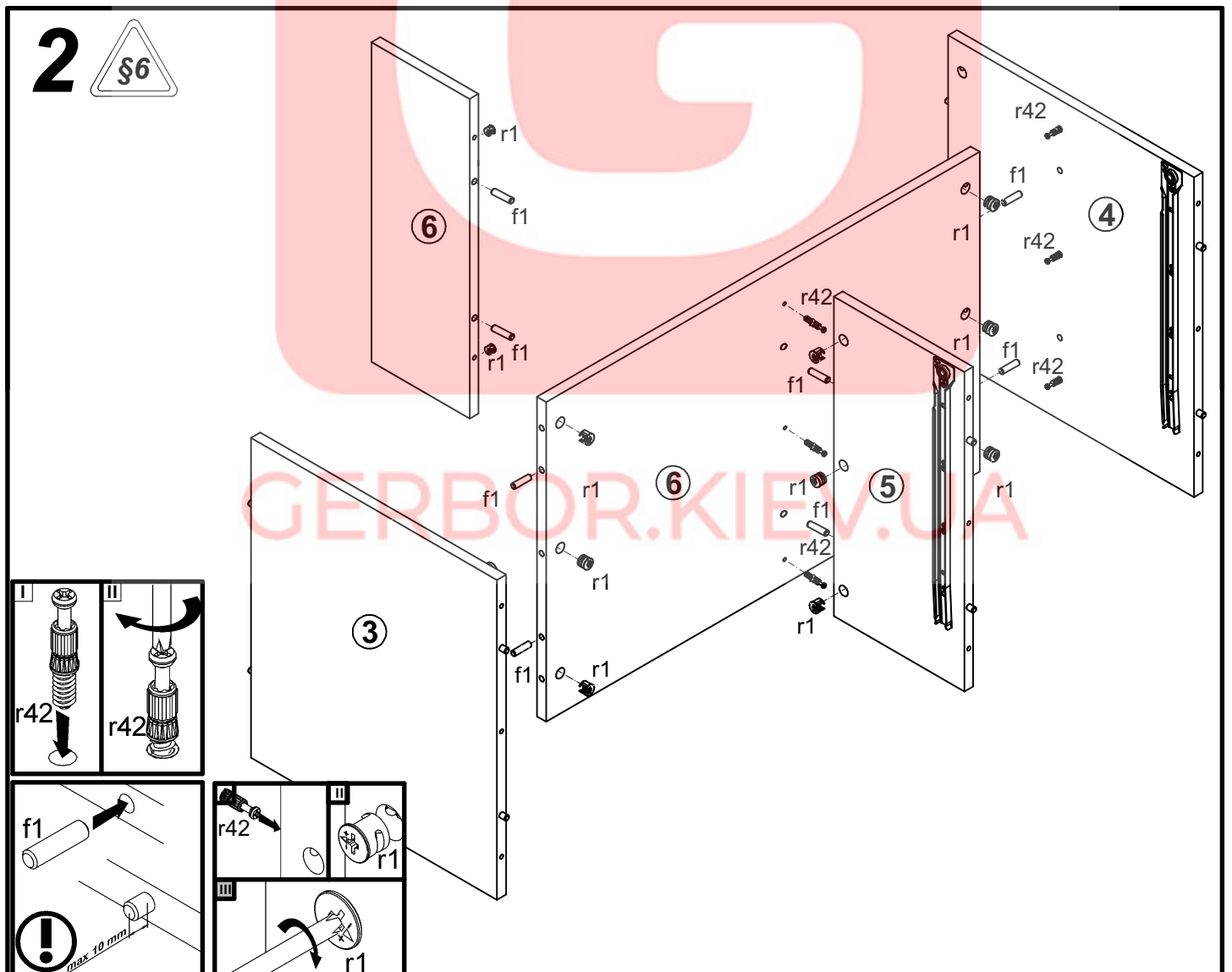
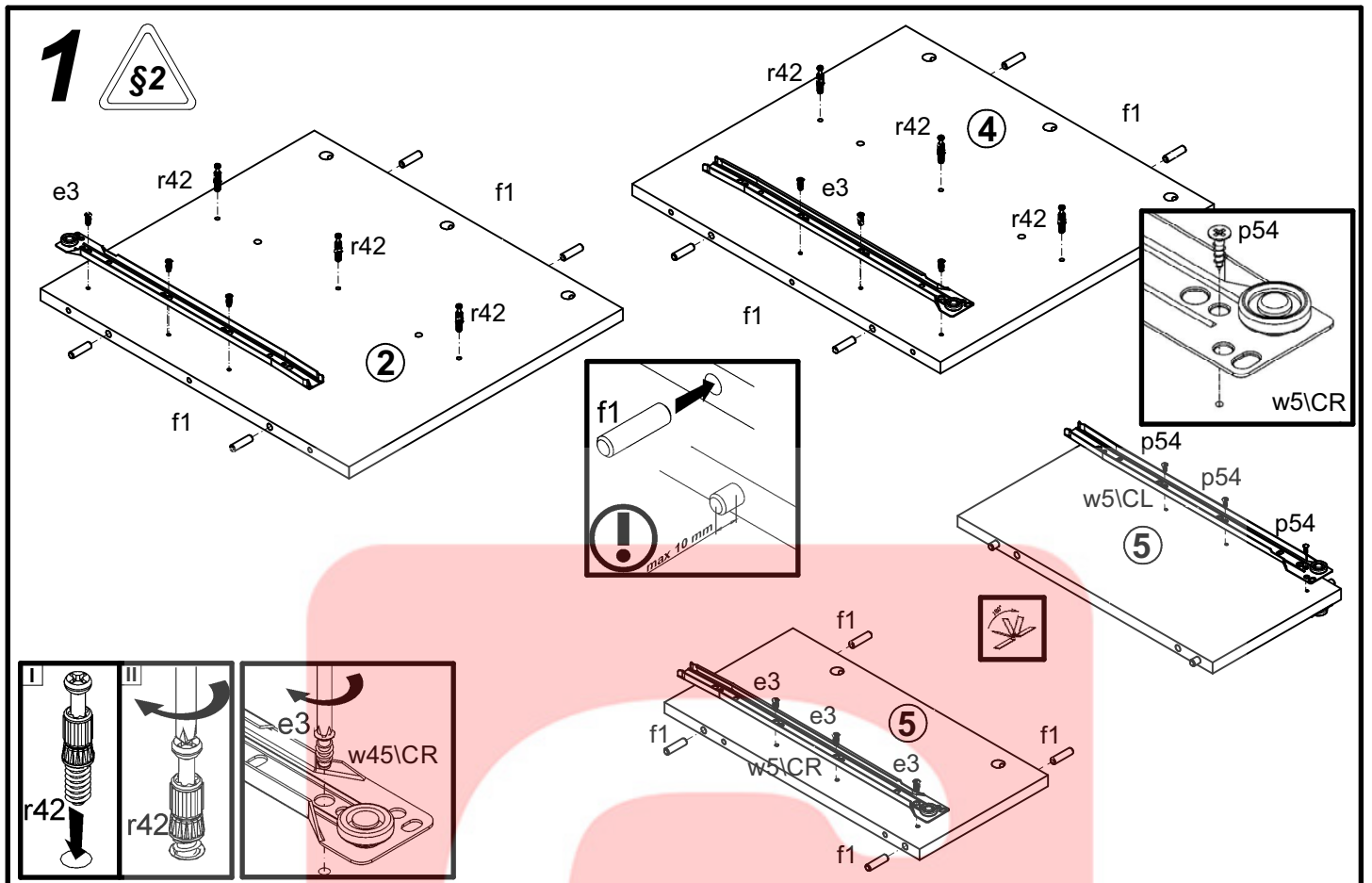
S31

S31-JRTV2so

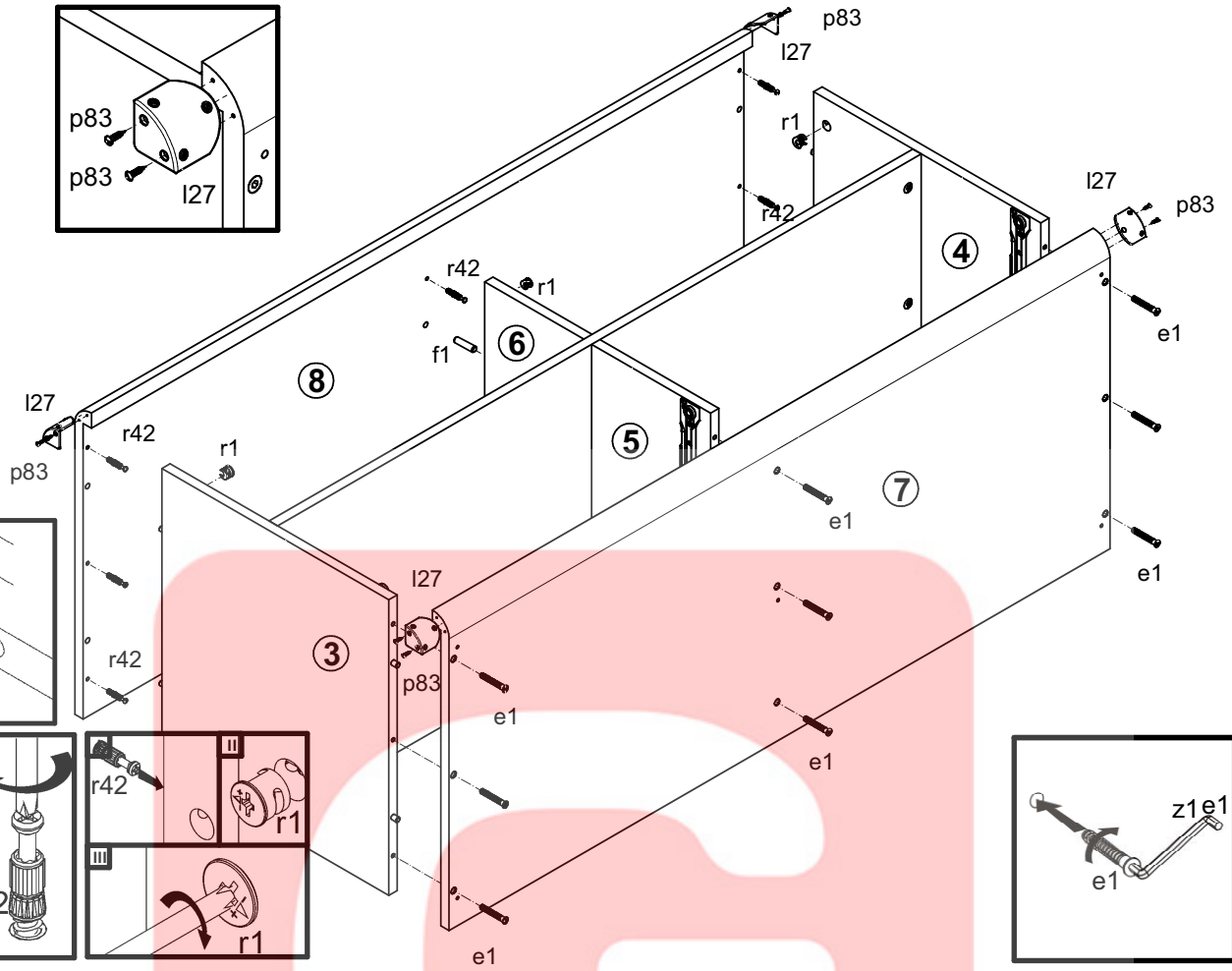
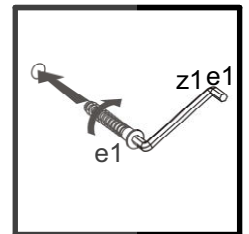
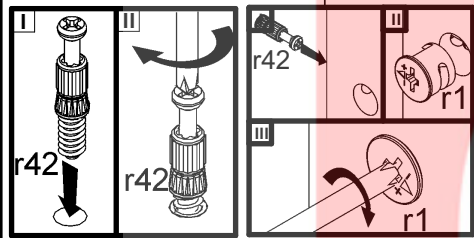
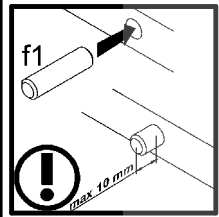
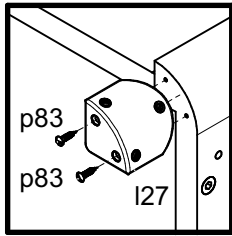
A	B	C	D	
1	S31-060	596	224	3/3
2	S31-061	596	224	3/3
3	S31-143	435	490	1/3
4	S31-144	435	490	1/3
5	S31-176	229	490	1/3
6	S31-177	190	490	1/3
7	S31-250	1199	515	2/3
8	S31-251	1199	515	2/3
9	S31-340	1166	490	1/3
10	S31-5507	400	140	1/3
11	S31-5508	400	140	1/3
12	S31-5514	518	140	1/3
13	S31-940	528	398	1/3
14	S31-941	460	1192	1/3



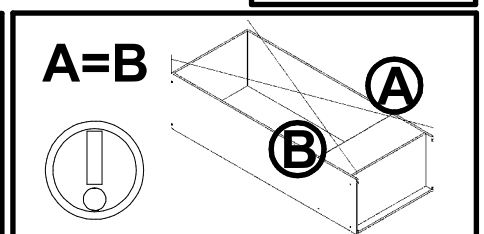
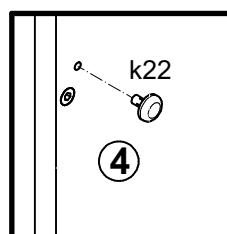
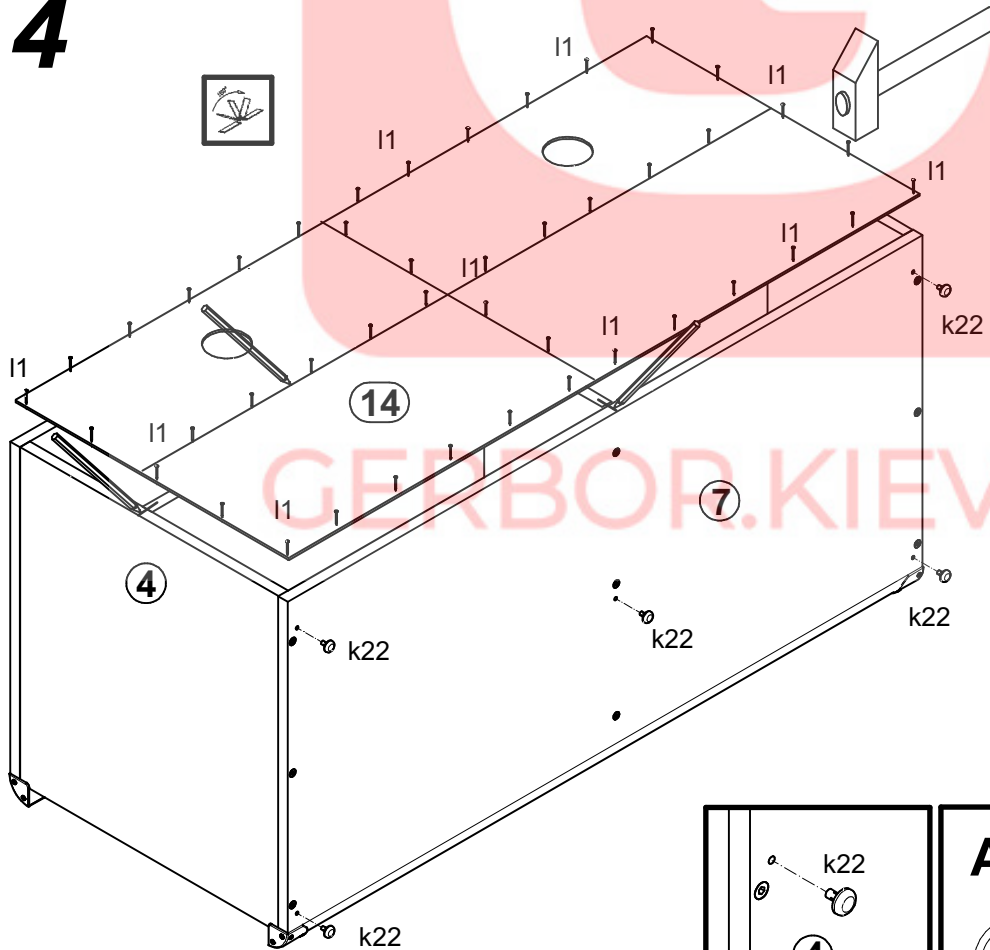
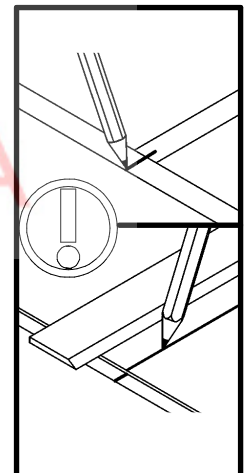
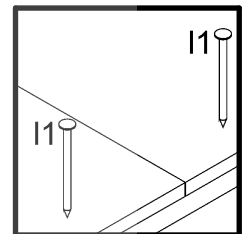
2x c158	9x Ø7x50 mm e1	8x Ø5x9 mm e19	9x Ø6x13 mm e3	20x Ø8x30 mm f1	8x Ø6.5x40 mm f25	4x M4x22 mm j30	5x Ø15 k22	45x l1
4x l27	1x l28/L	1x l28/P	4x Ø3.5x16 mm p25	12x Ø3x12 mm p83	27x Ø15x12 mm #16 r1	3x Ø3x12 mm p54	27x 20/11 r42	16x Ø16 s2
2x 383 mm t14	2x 400 mm w5/CL	2x 400 mm w5/CR	2x 400 mm w5/DL	2x 400 mm w5/DR	1x 4 mm z1			



3

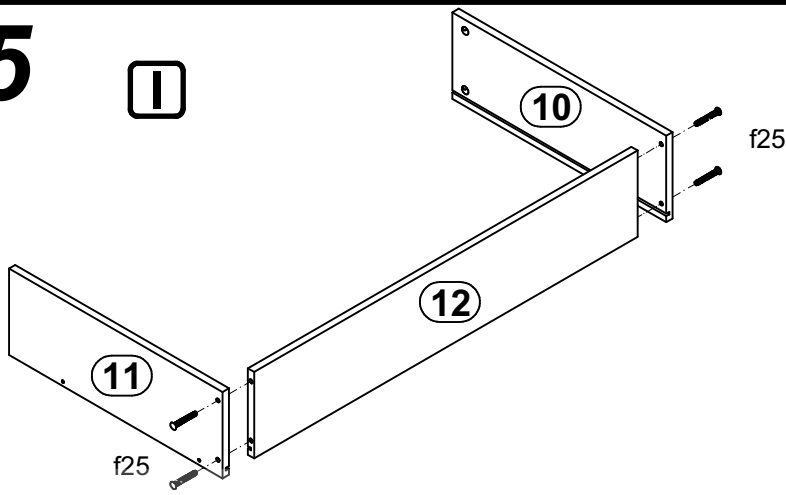


4

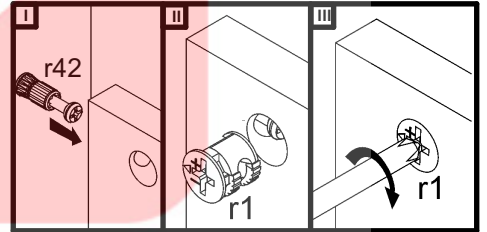
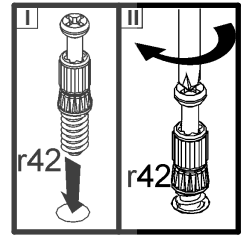
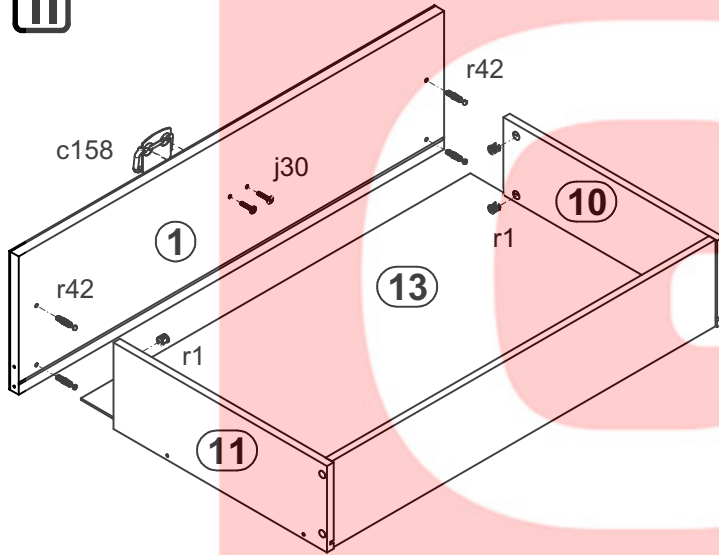


5

I



II



III

