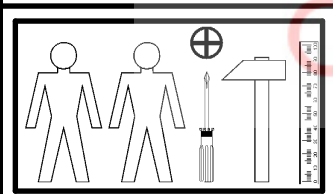
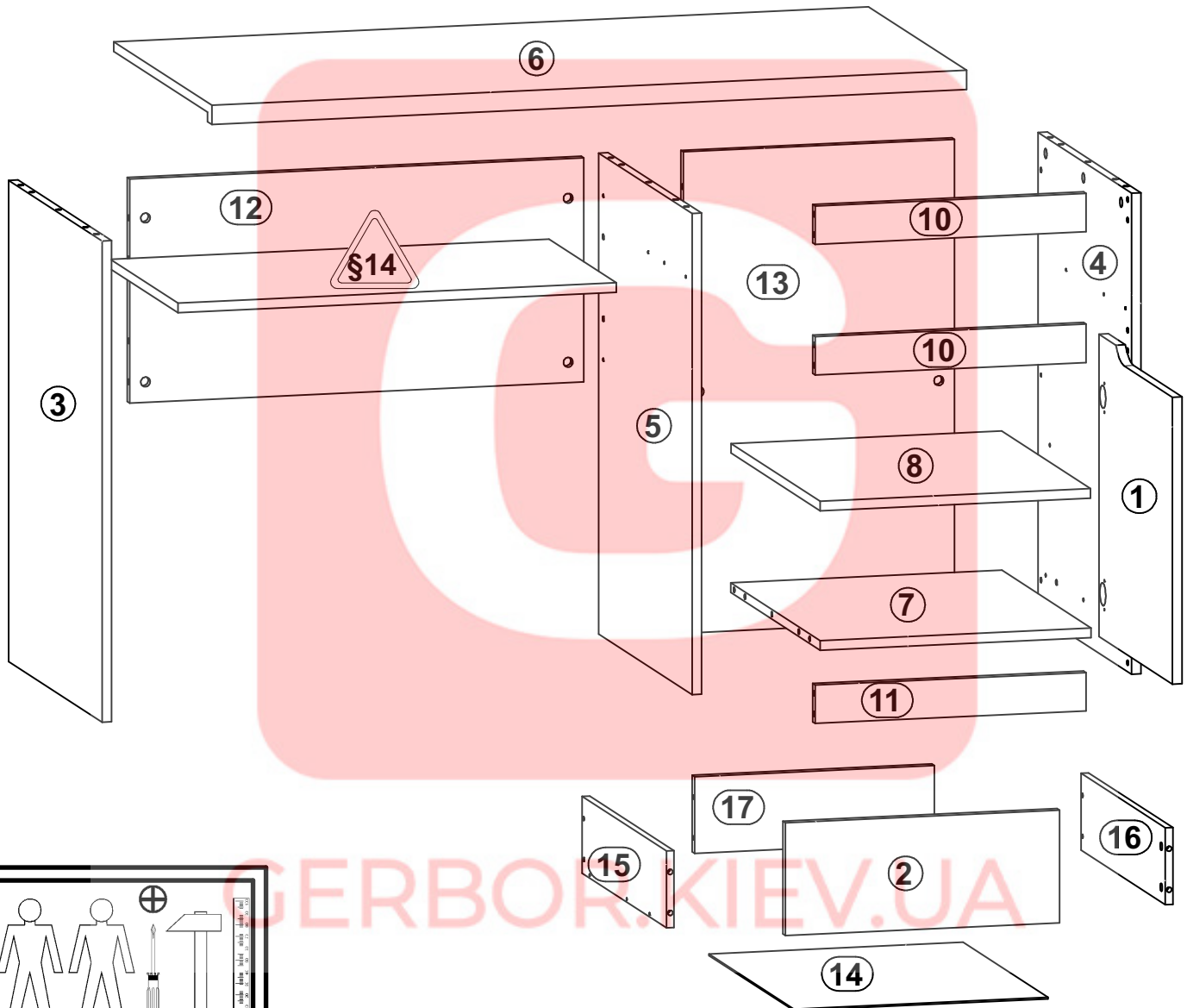
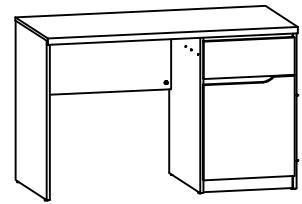
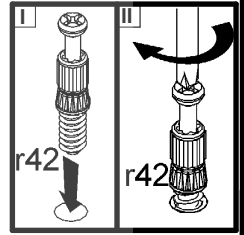
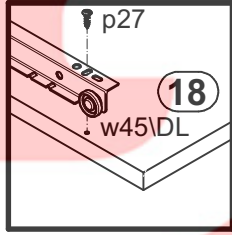
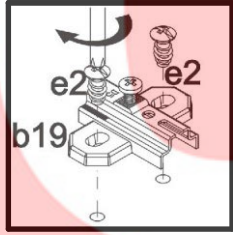
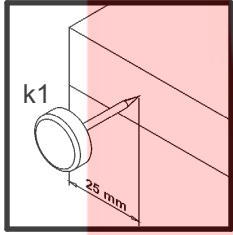
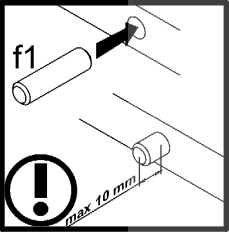
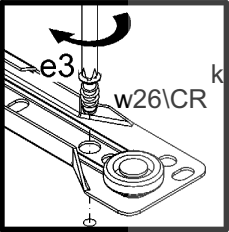
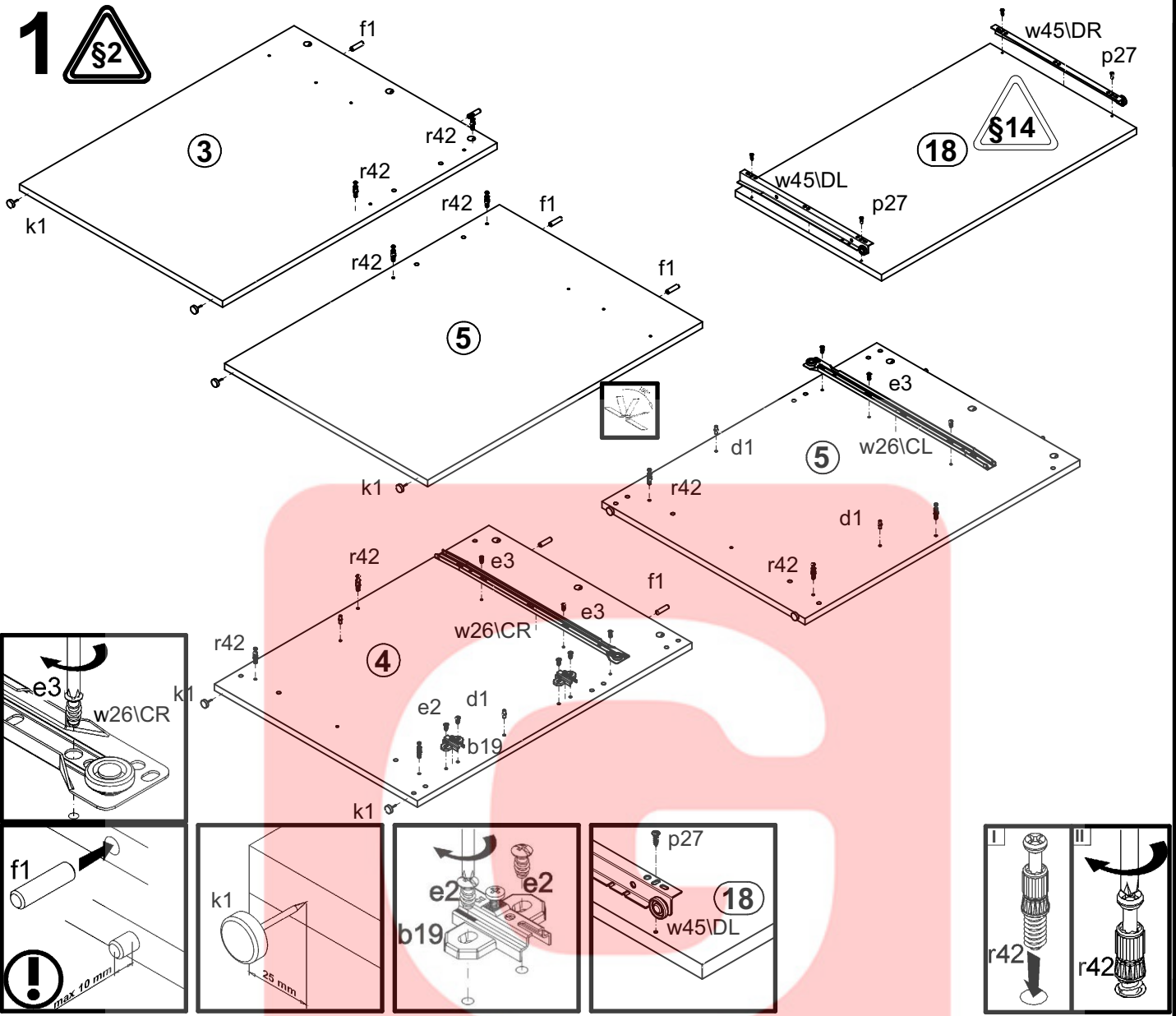


A	B	C	D	A	B	C	D
1	S162-0018	436	472	3/3	10	S162-4413	431 60 2/3
2	S162-0019A	436	176	3/3	11	S162-4414	431 60 2/3
3	S162-1118	751	555	1/3	12	S162-4415	722 350 1/3
4	S162-1119	751	555	1/3	13	S162-4422	751 431 2/3
5	S162-1120	751	555	1/3	14	S162-9915	404 505 1/3
6	S162-2207	1203	582	2/3	15	BB-509	500 120 2/3
7	S162-3212	431	530	1/3	16	BB-510	500 120 2/3
8	S162-3213	430	529	1/3	17	ZB-5514	373 120 2/3

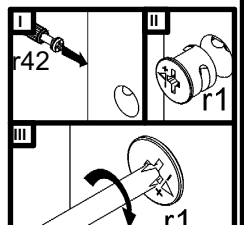
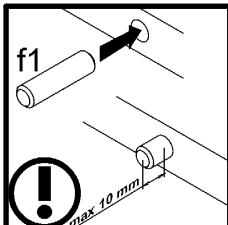
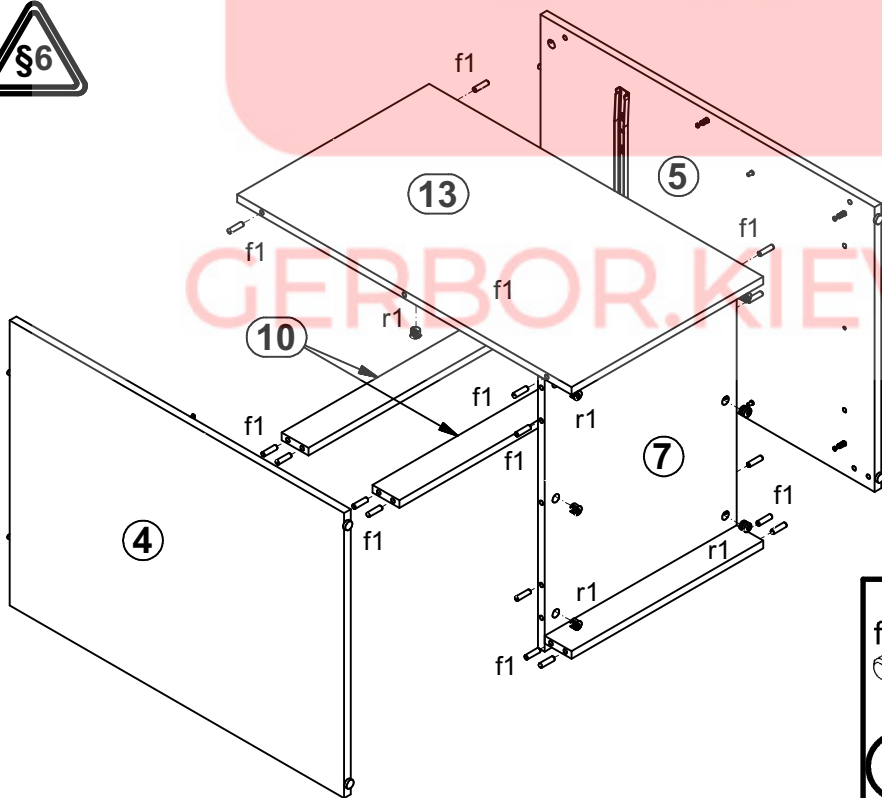


2x a68	2x b19	4x d1 Ø5x17 mm	6x e19 Ø5x9 mm	4x e2 Ø6.3x13 mm	6x e3 Ø6x13 mm	25x r1 Ø15x12 mm #16	25x r42	9x s2 Ø16
3x p38 Ø3.5x16 mm	4x p51 Ø3.5x15 mm	1x w26\DR 500 mm	1x w26\CL 500 mm	1x w26\CR 500 mm	1x w26\DL 500 mm	30x f1 Ø8x30 mm	4x f25 Ø6.5x40 mm	6x k1

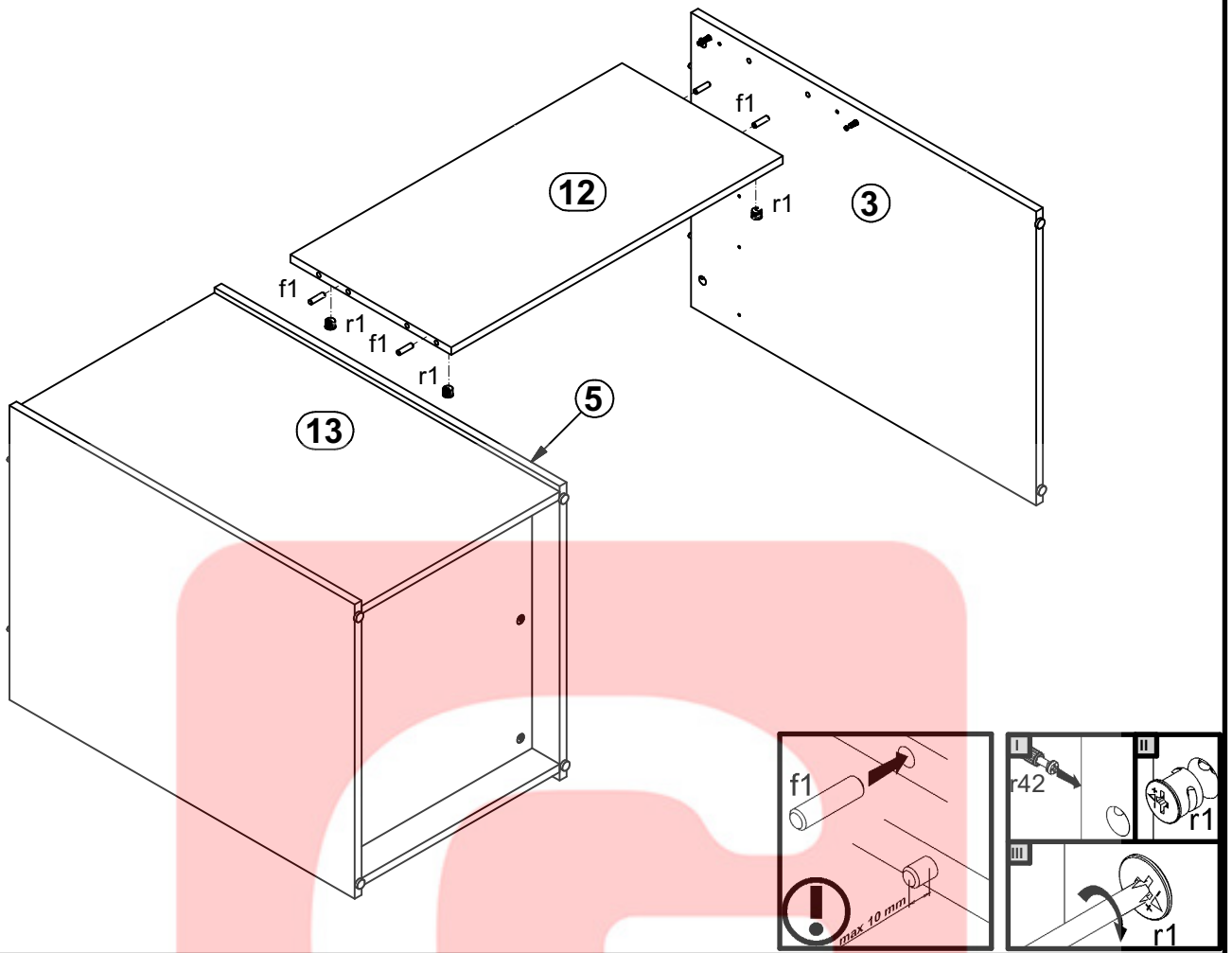
1



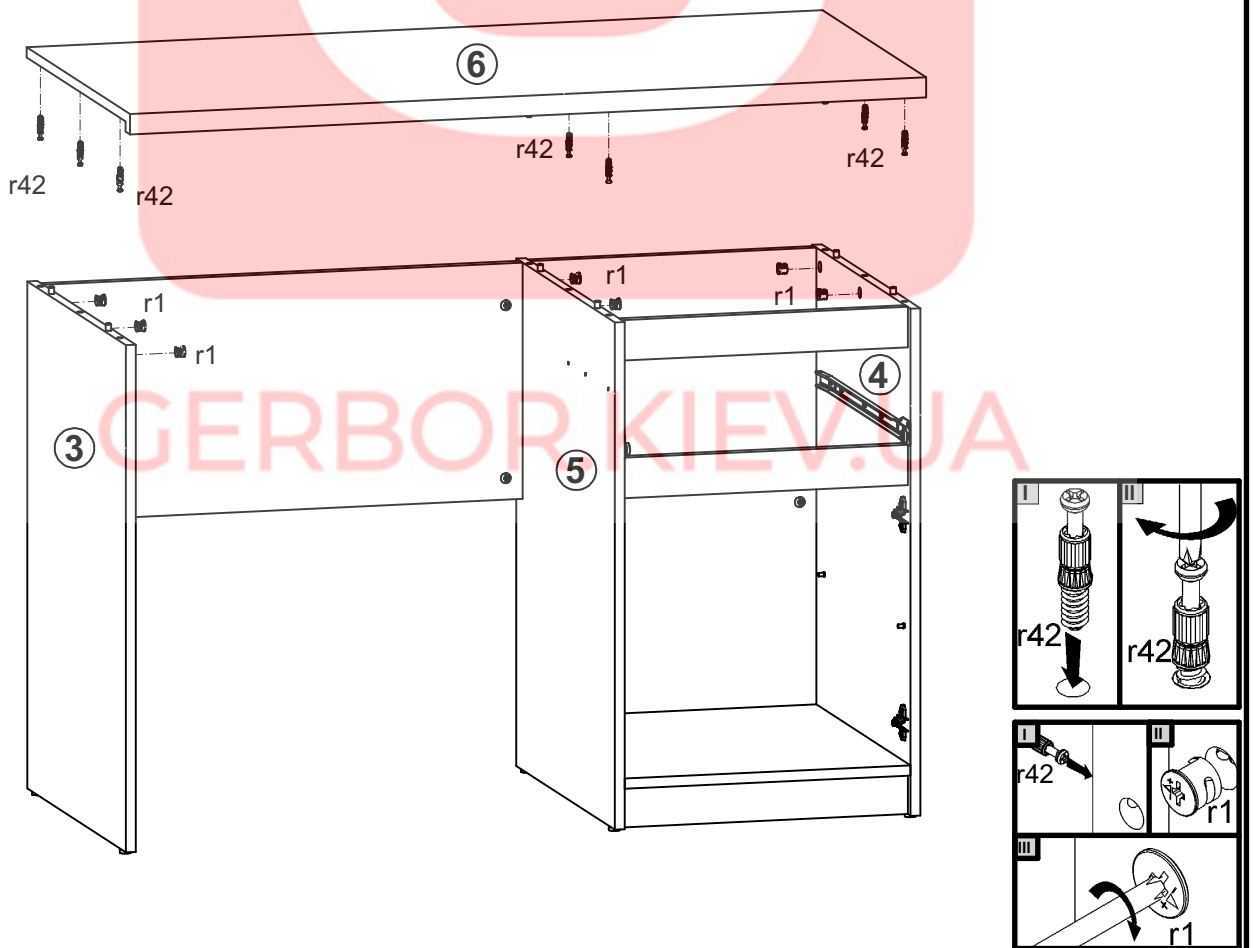
2



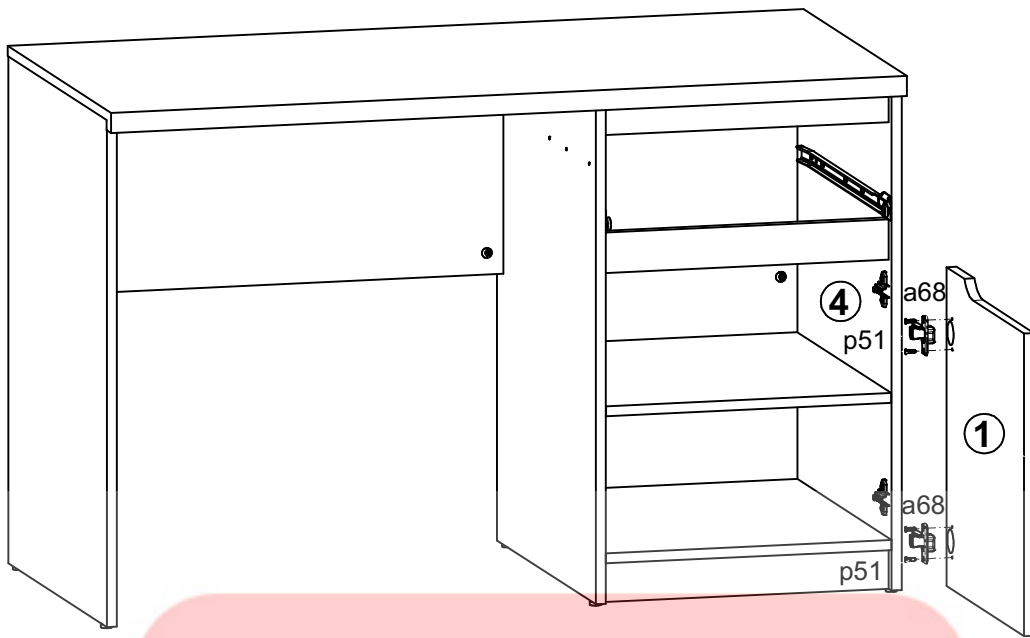
3



4



5



6

