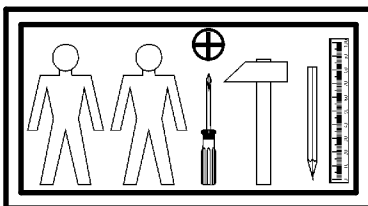
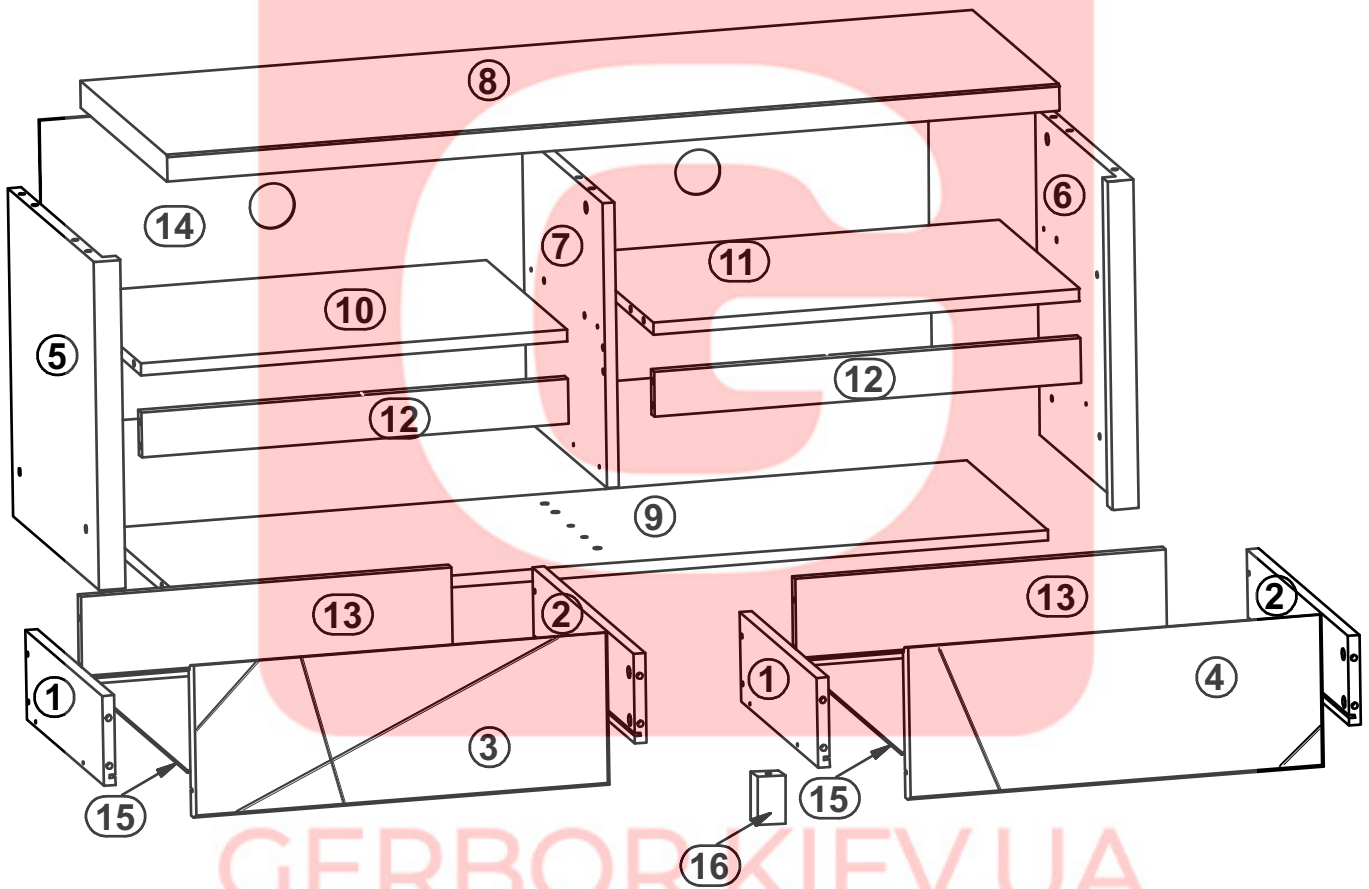
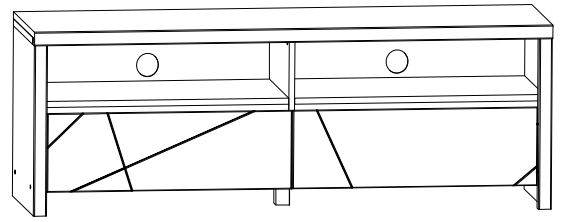
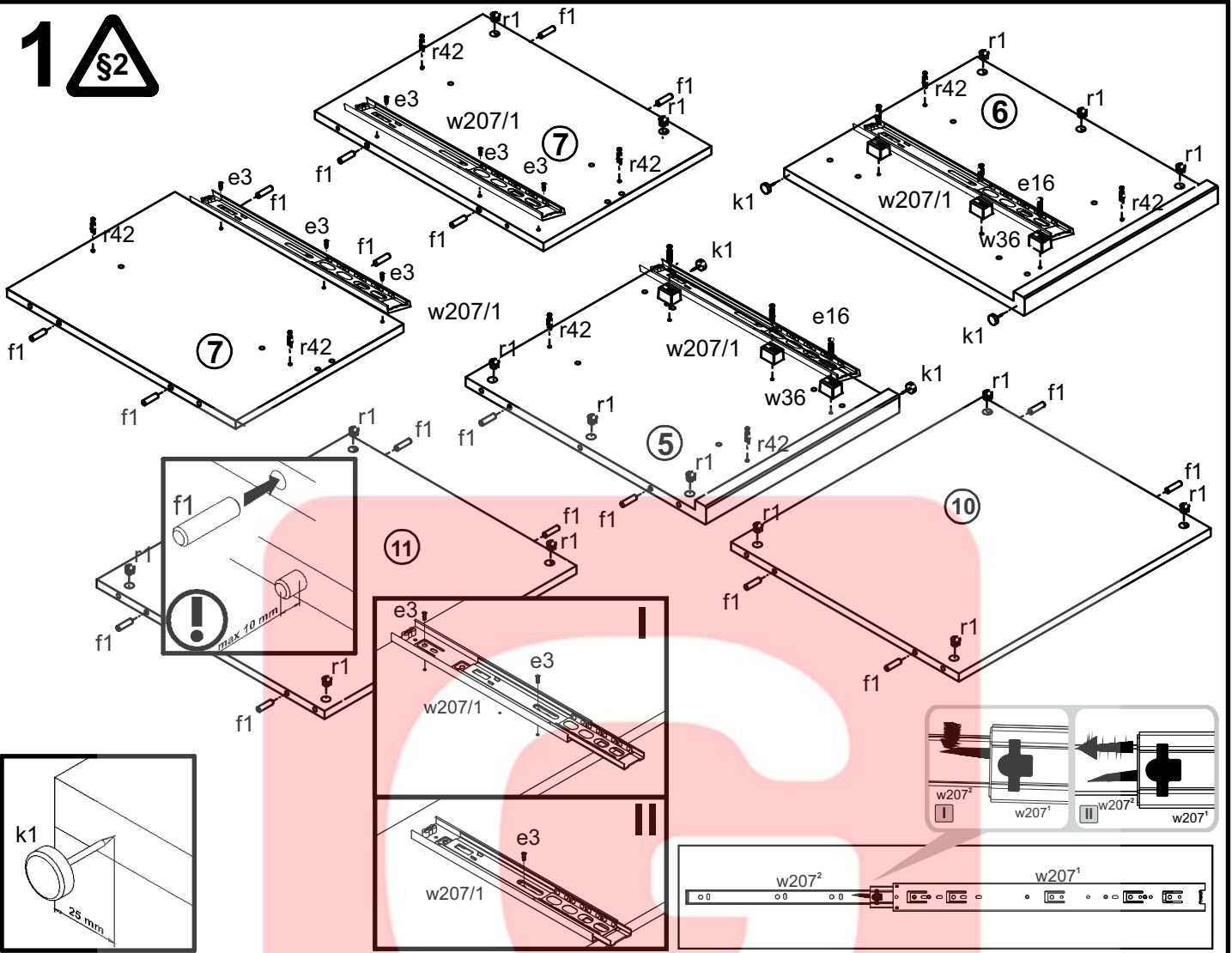


A	B	C	D	
1	N89-512	350	110	2/3
2	N89-513	350	110	2/3
3	N89-024	560	204	3/3
4	N89-025	560	204	3/3
5	N89-111	439	396	1/3
6	N89-113	439	396	1/3
7	N89-112	381	369	1/3
8	S128-233	1201	399	2/3
9	S128-347	1164	370	2/3
10	S128-348	574	369	1/3
11	S128-349	574	369	1/3
12	S128-474	574	60	1/3
13	N89-514	498	110	2/3
14	S128-944	1195	409	2/3
15	N89-906	513	348	2/3
16	ZN1-501	65	38	1/3

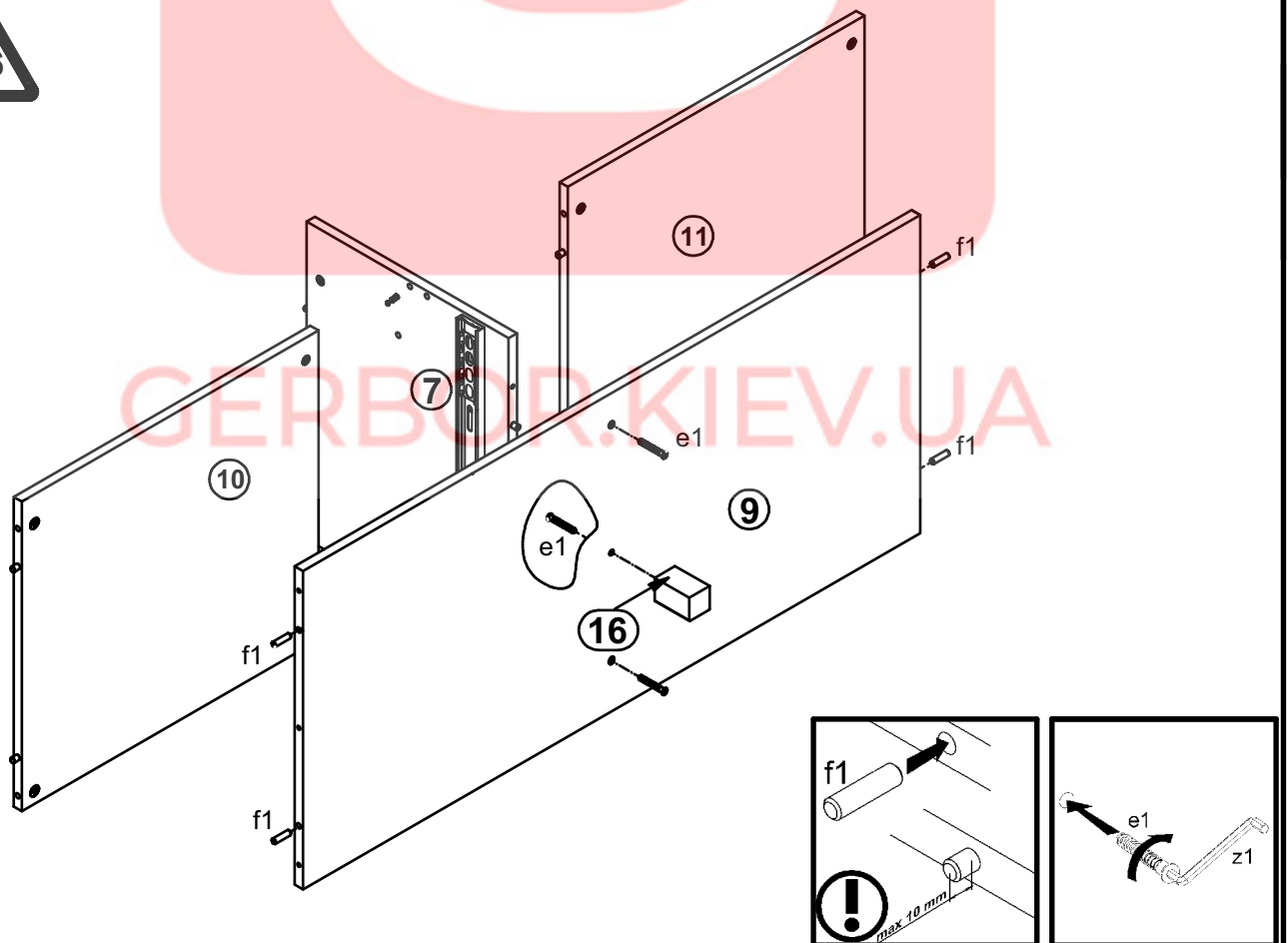


2x φ8x50 mm f6	14x ø16 s2	4x 350 mm w207/1	4x 350 mm w207/2	7x φ7x50 mm e1	6x φ6x30 mm e16	12x φ3,5x12 mm p140	6x φ6x13 mm e3	1x z1
24x φ8x30 mm f1	8x φ6,5x40 mm f25	4x k1	40x l1	22x φ15x12 mm r16 r1	22x r42	6x h=18 mm w36	4x s1	

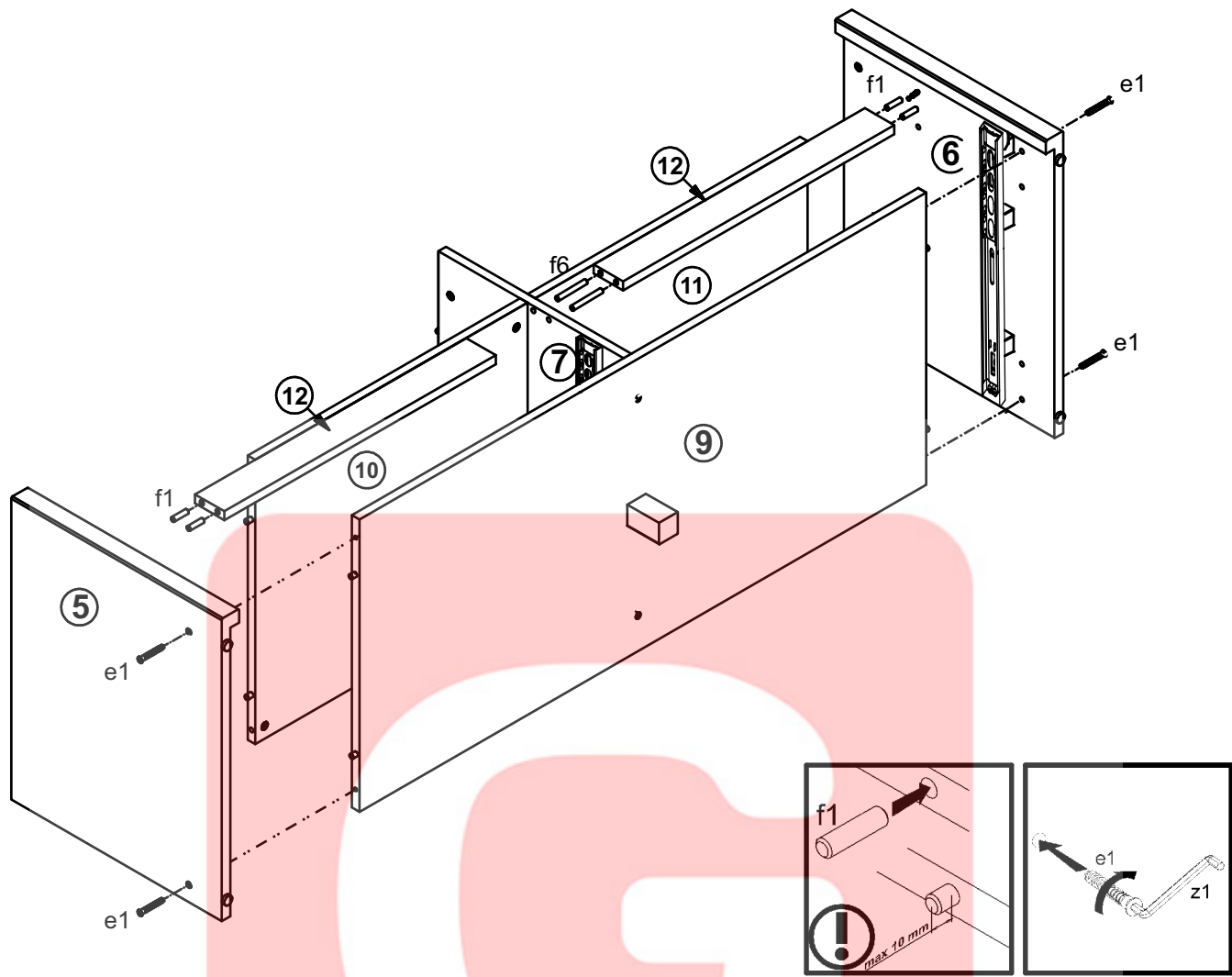
1



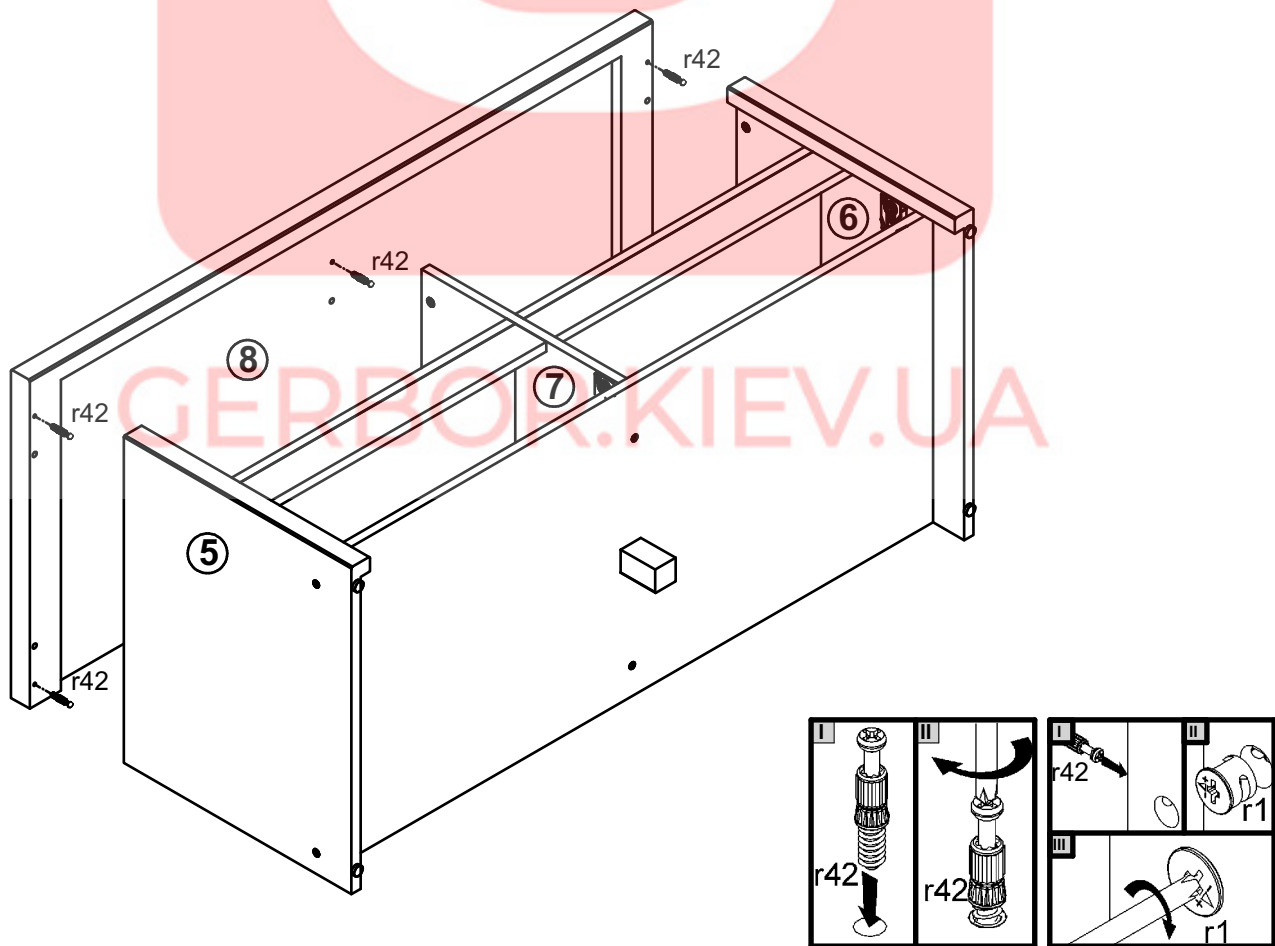
2



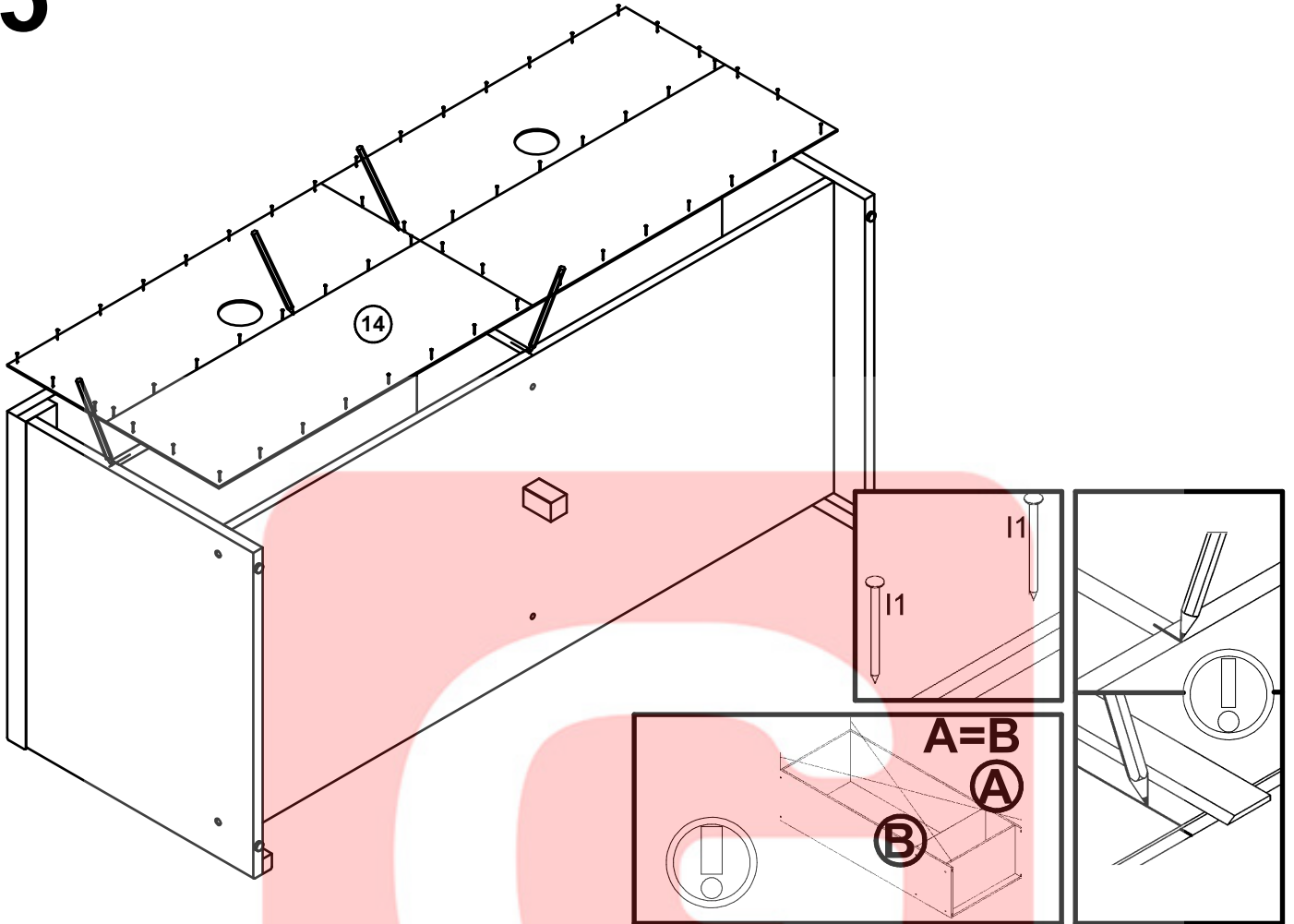
3



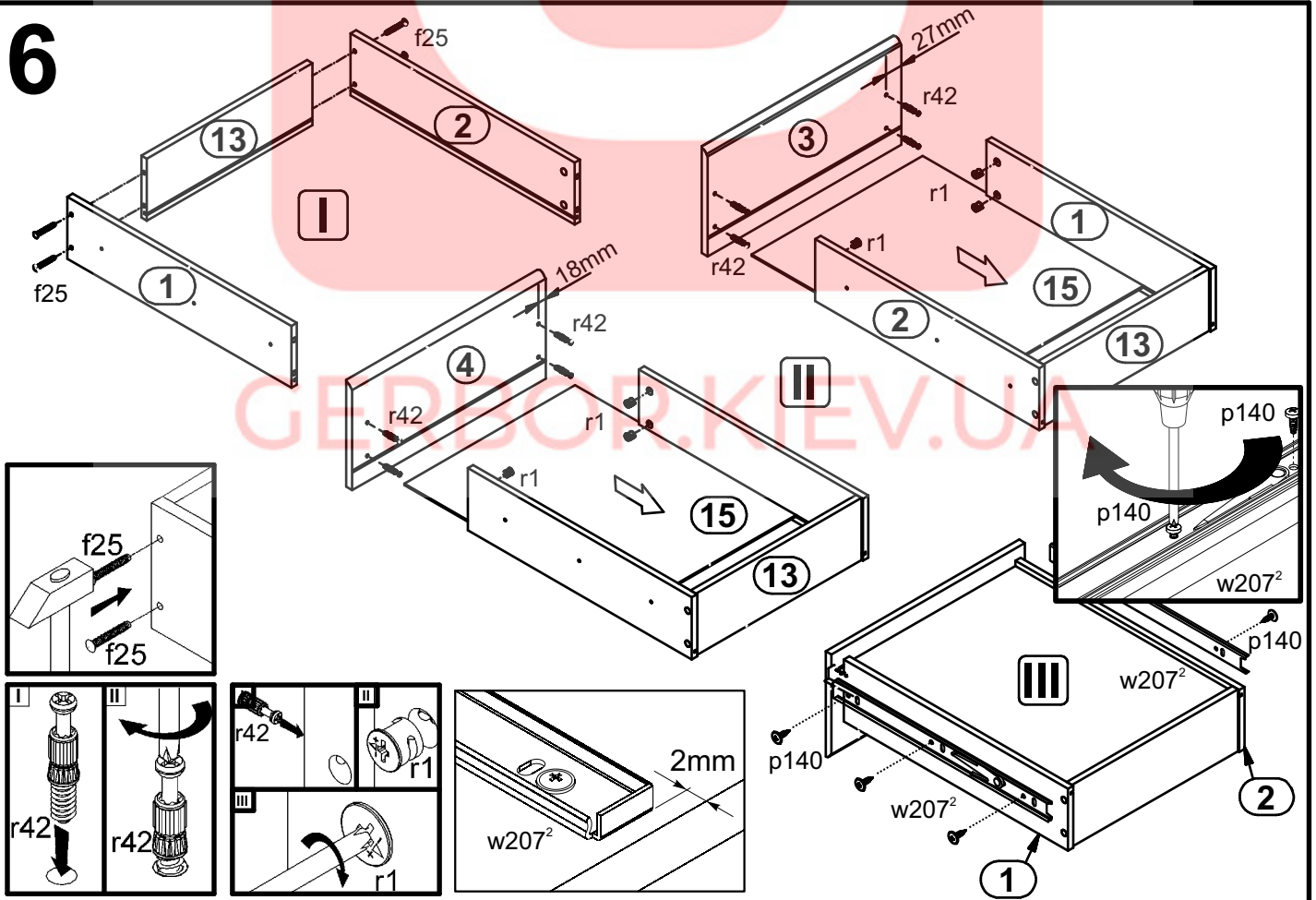
4



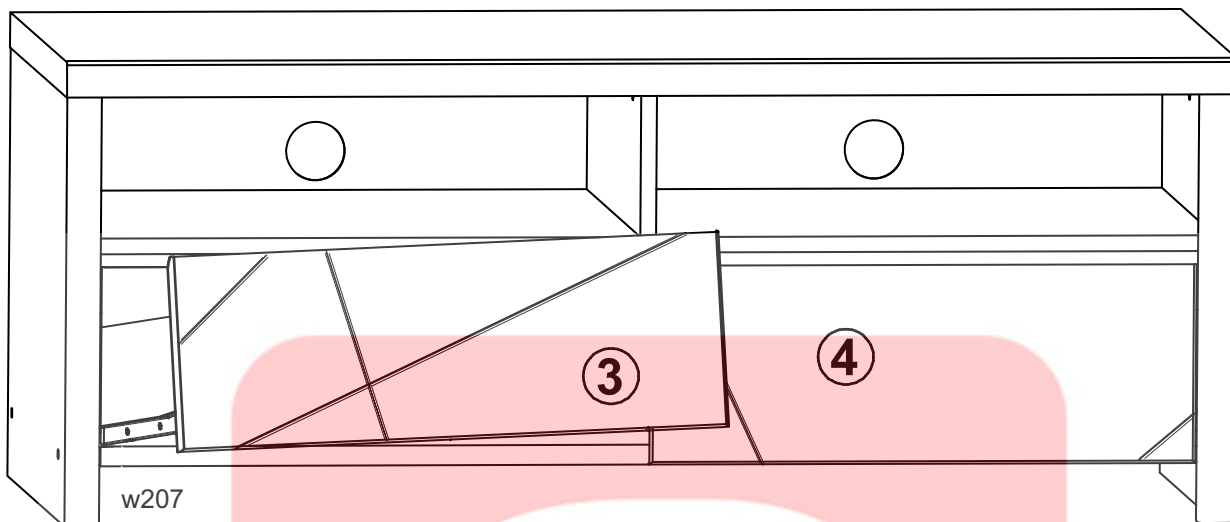
5



6



7



GERBOR.KIEV.UA