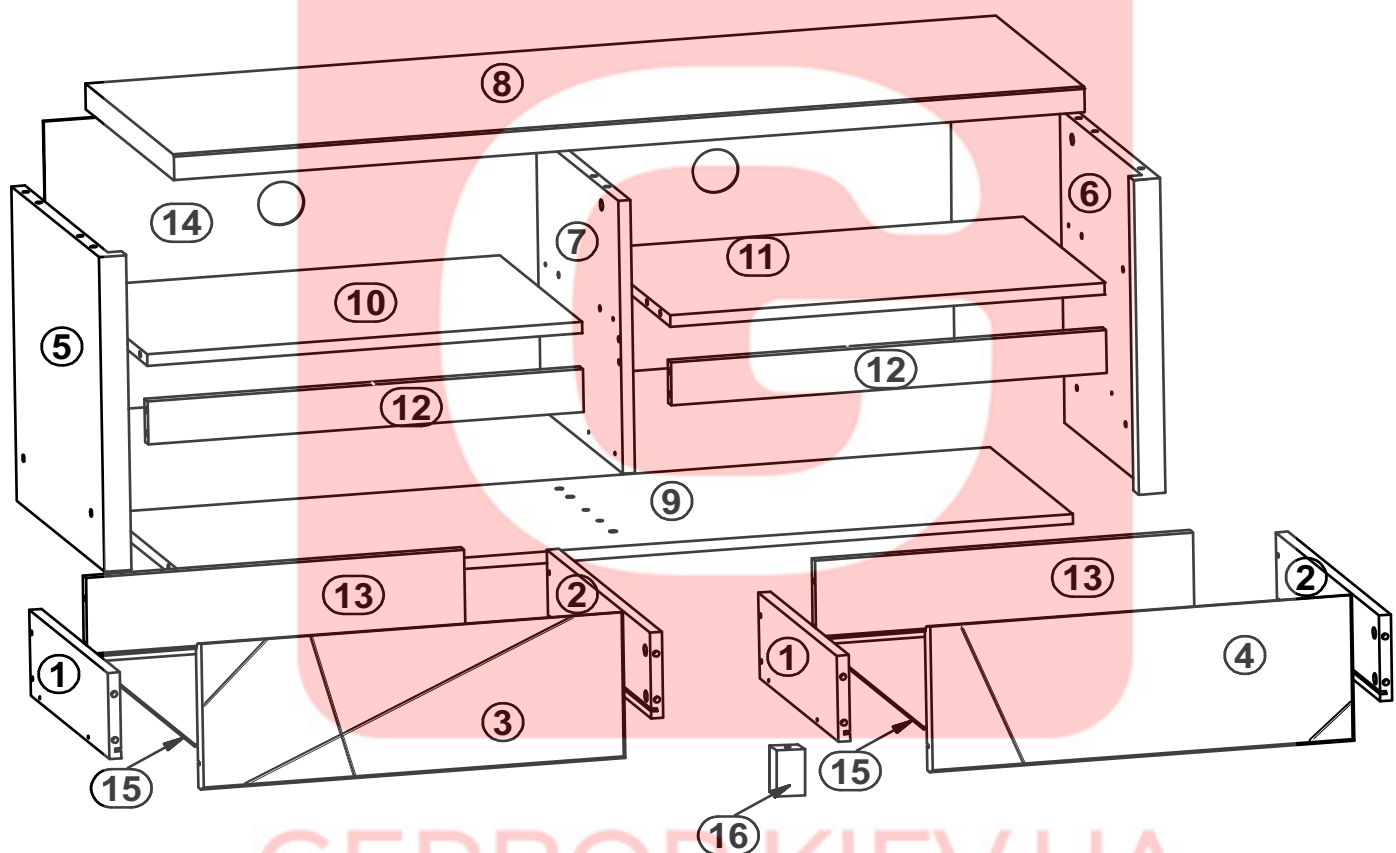
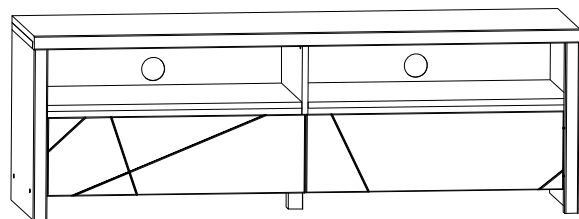
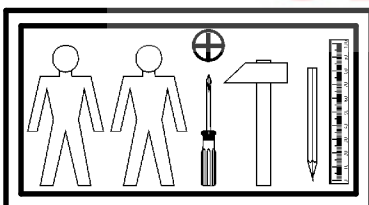


A	B	C	D	
1	N89-512	350	110	2/3
2	N89-513	350	110	2/3
3	N89-041	760	204	3/3
4	N89-042	760	204	3/3
5	N89-111	439	396	1/3
6	N89-113	439	396	1/3
7	N89-112	381	369	1/3
8	S128-236	1601	399	2/3
9	S128-368	1564	370	2/3
10	S128-369	774	369	1/3
11	S128-370	774	369	1/3
12	S128-476	774	60	1/3
13	N89-518	628	348	2/3
14	S128-951	1595	409	2/3
15	N89-912	628	348	2/3
16	ZN1-501	65	38	1/3

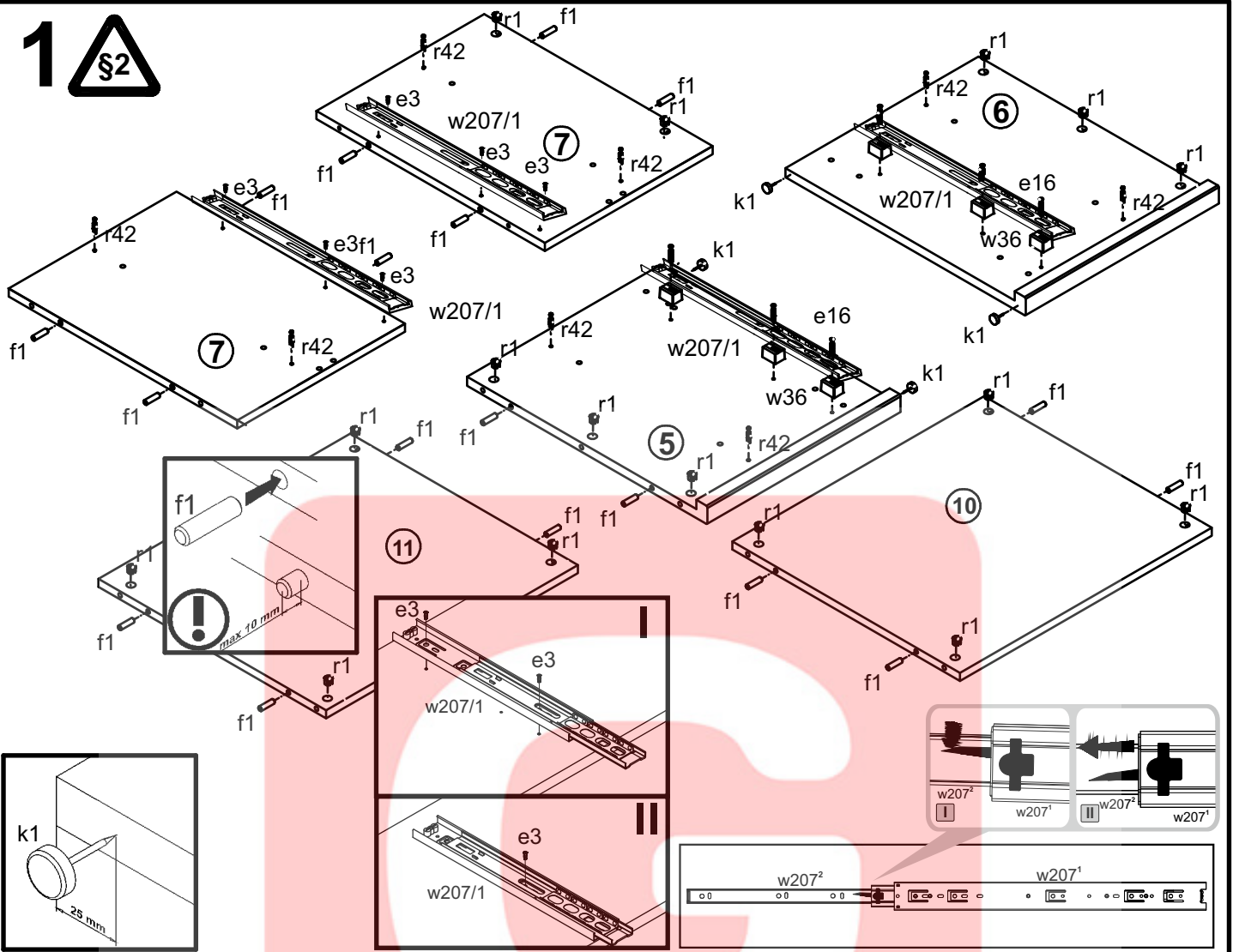


GERBOR.KIEV.UA

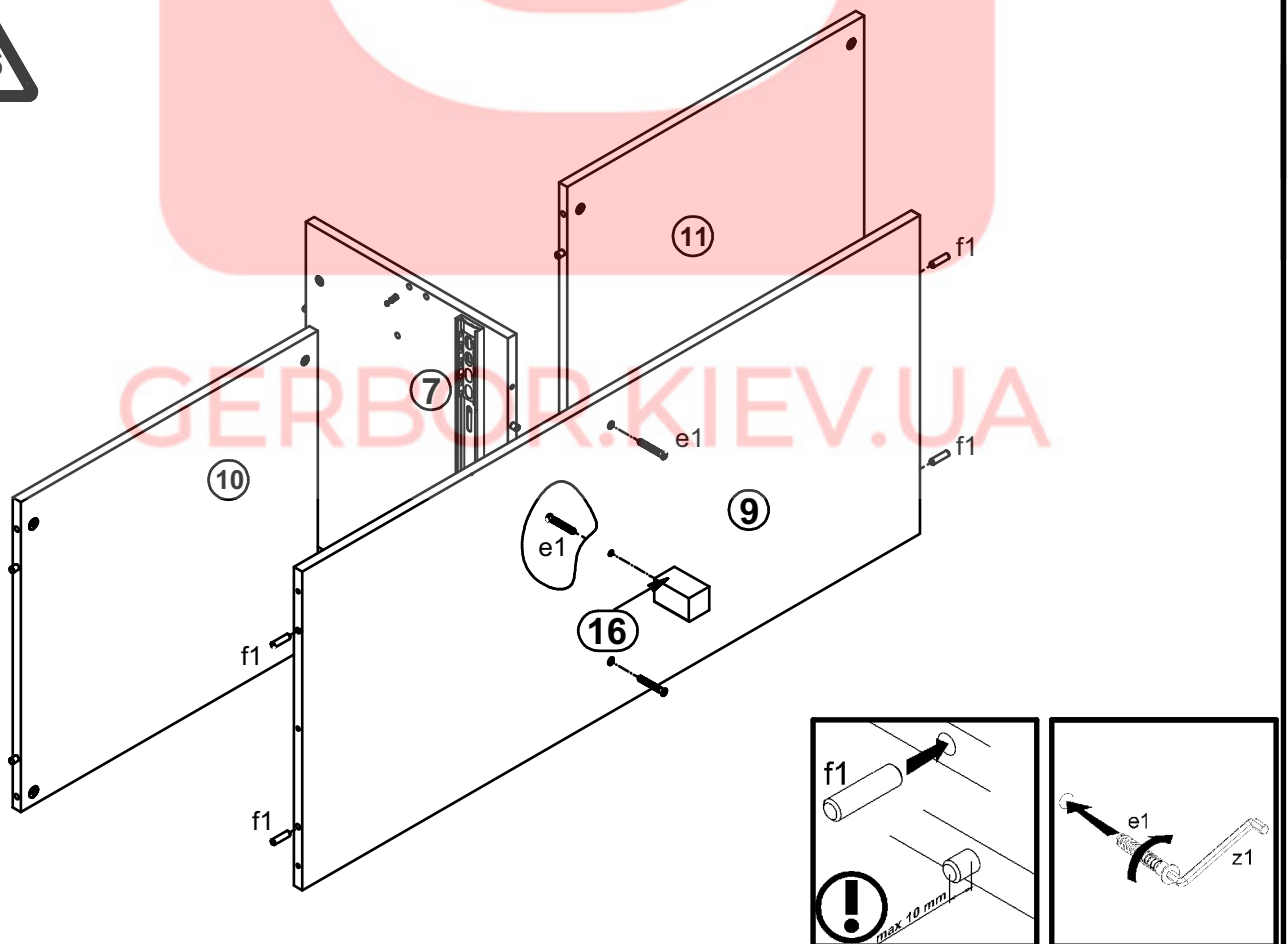


2x φ8x50 mm f6	4x φ3,5x16 mm p25	4x 350 mm w207/1	4x 350 mm w207/2	7x φ7x50 mm e1	6x φ6x30 mm e16	12x φ3,5x12 mm p140	3x φ6x13 mm e3	1x z1
24x φ8x30 mm f1	8x φ6,5x40 mm f25	4x k1	40x l1	22x φ1,5x12 mm #16 r1	22x r42	6x h=18 mm w36	4x s1	14x ø16 s2
2x 333 mm t19								

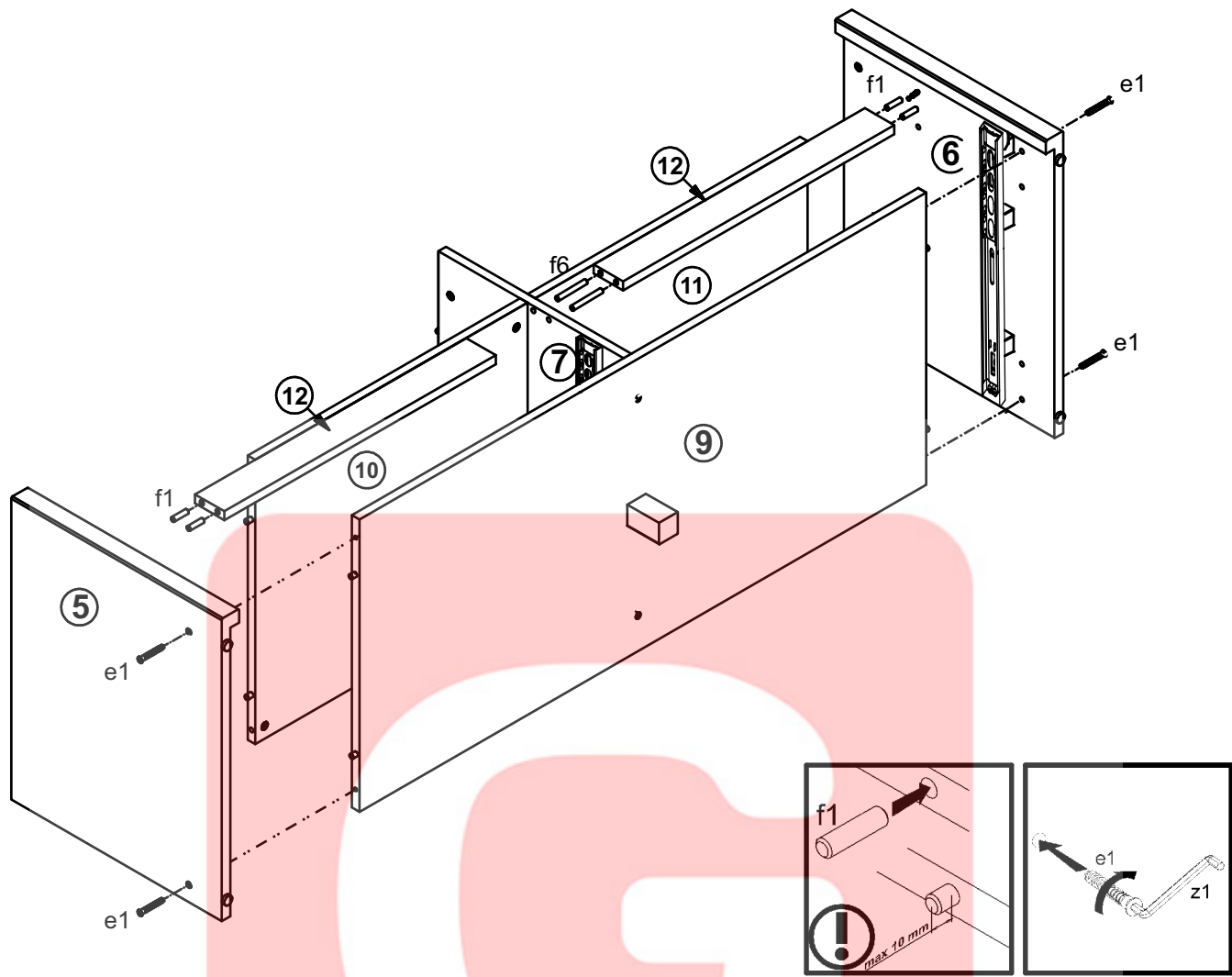
1



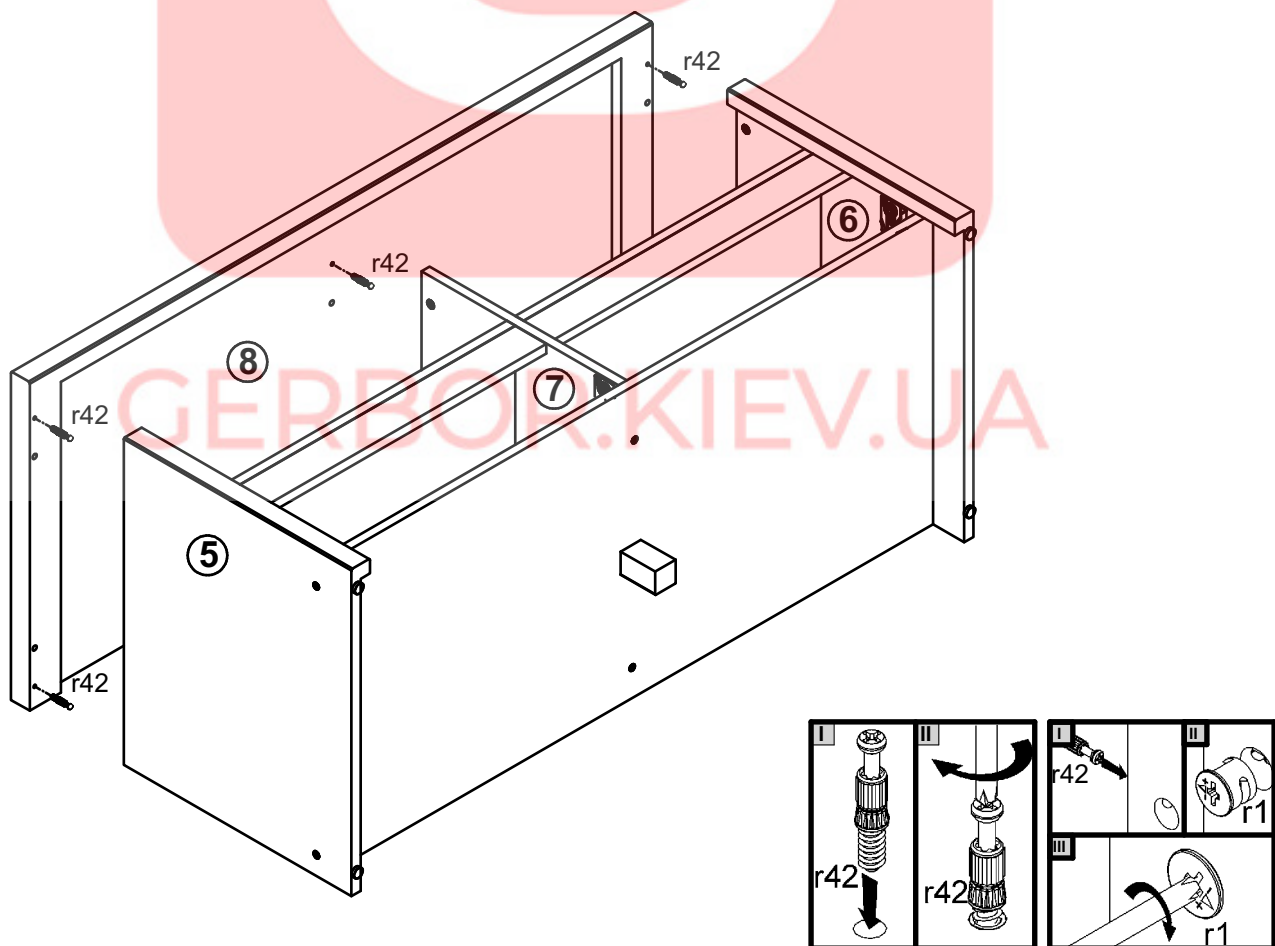
2



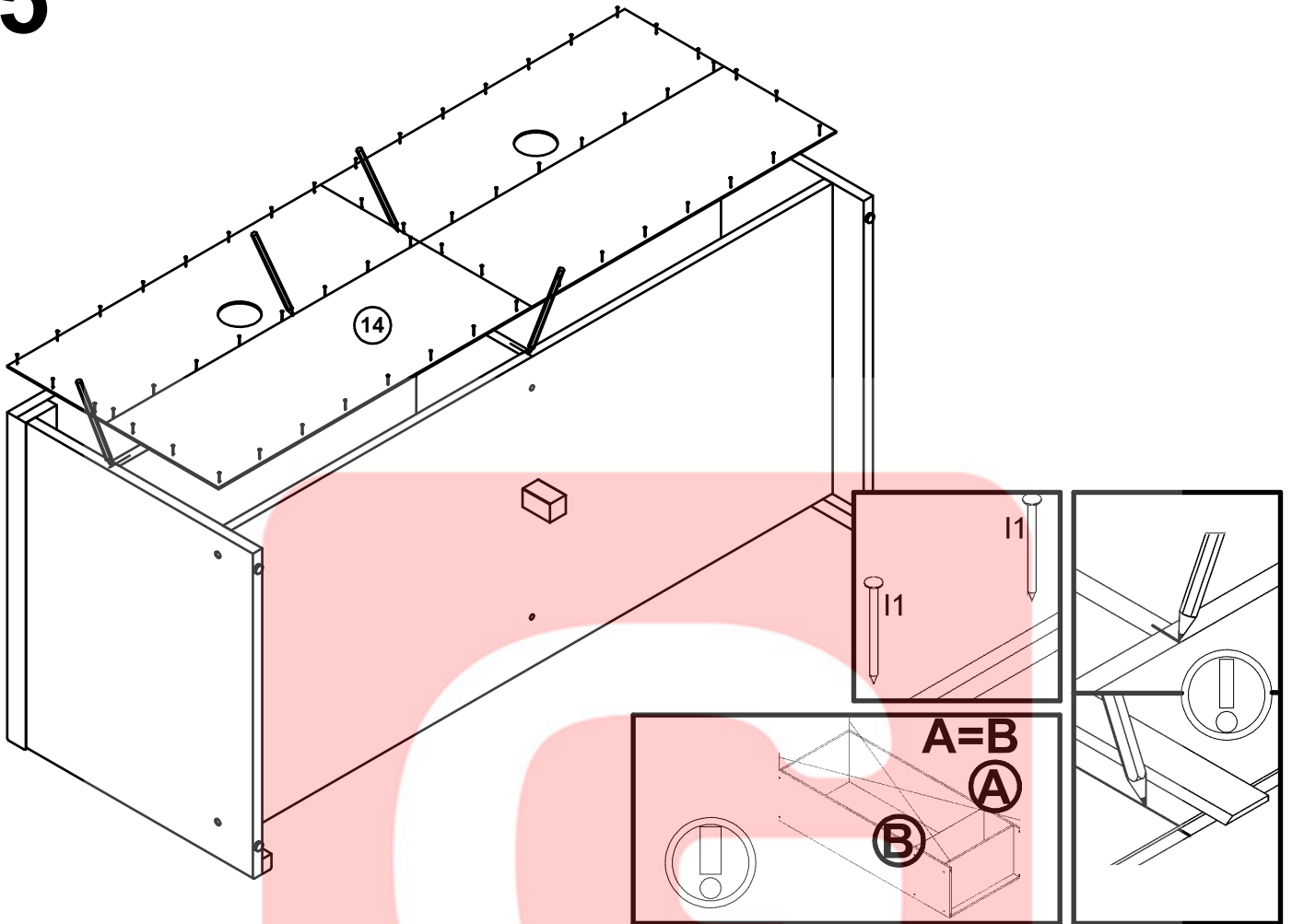
3



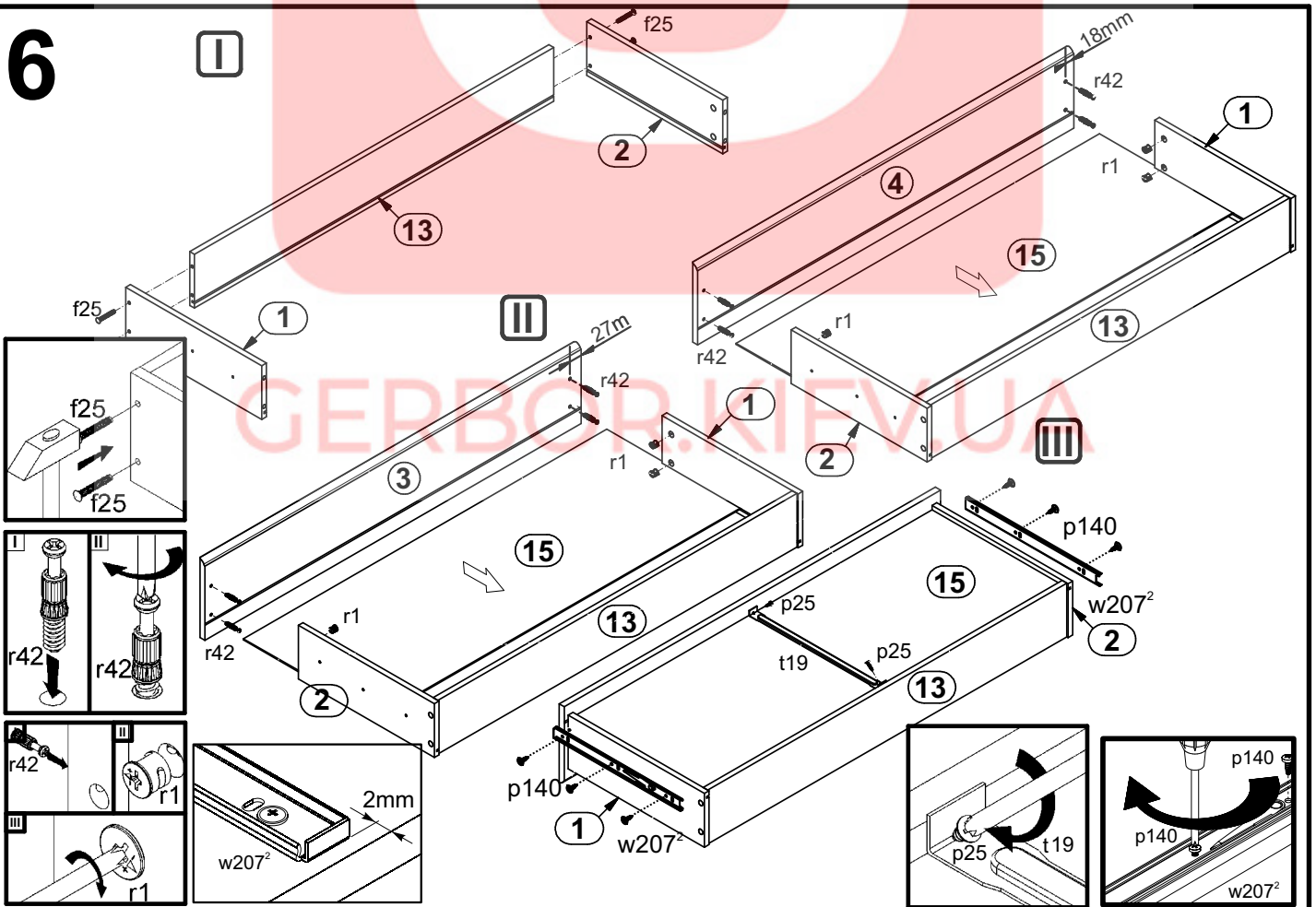
4



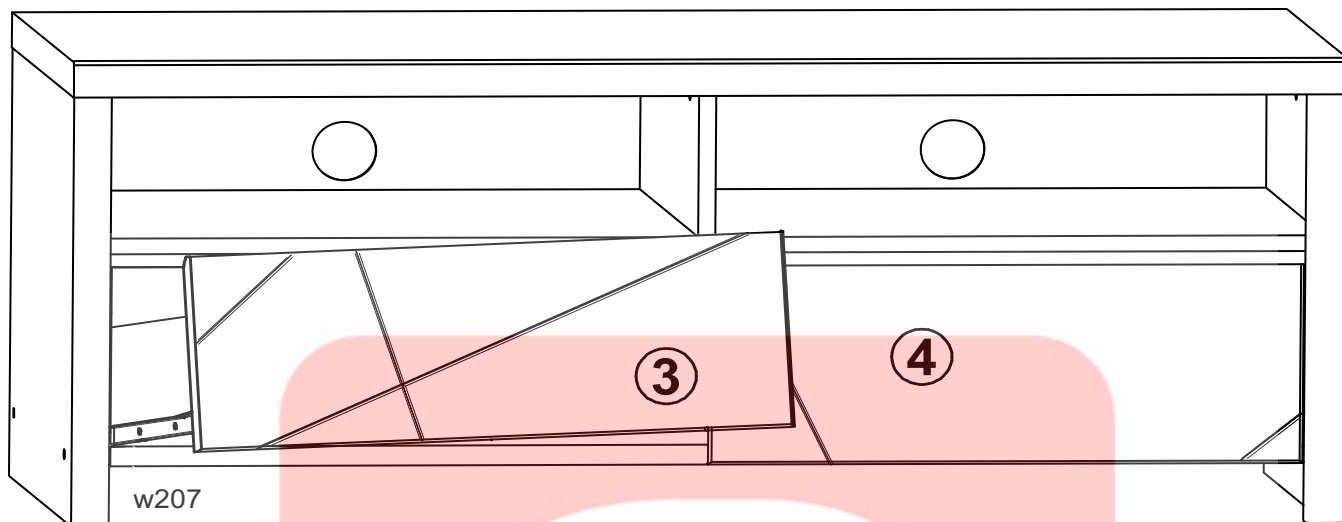
5



6



7



GERBOR.KIEV.UA