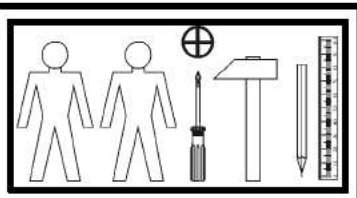
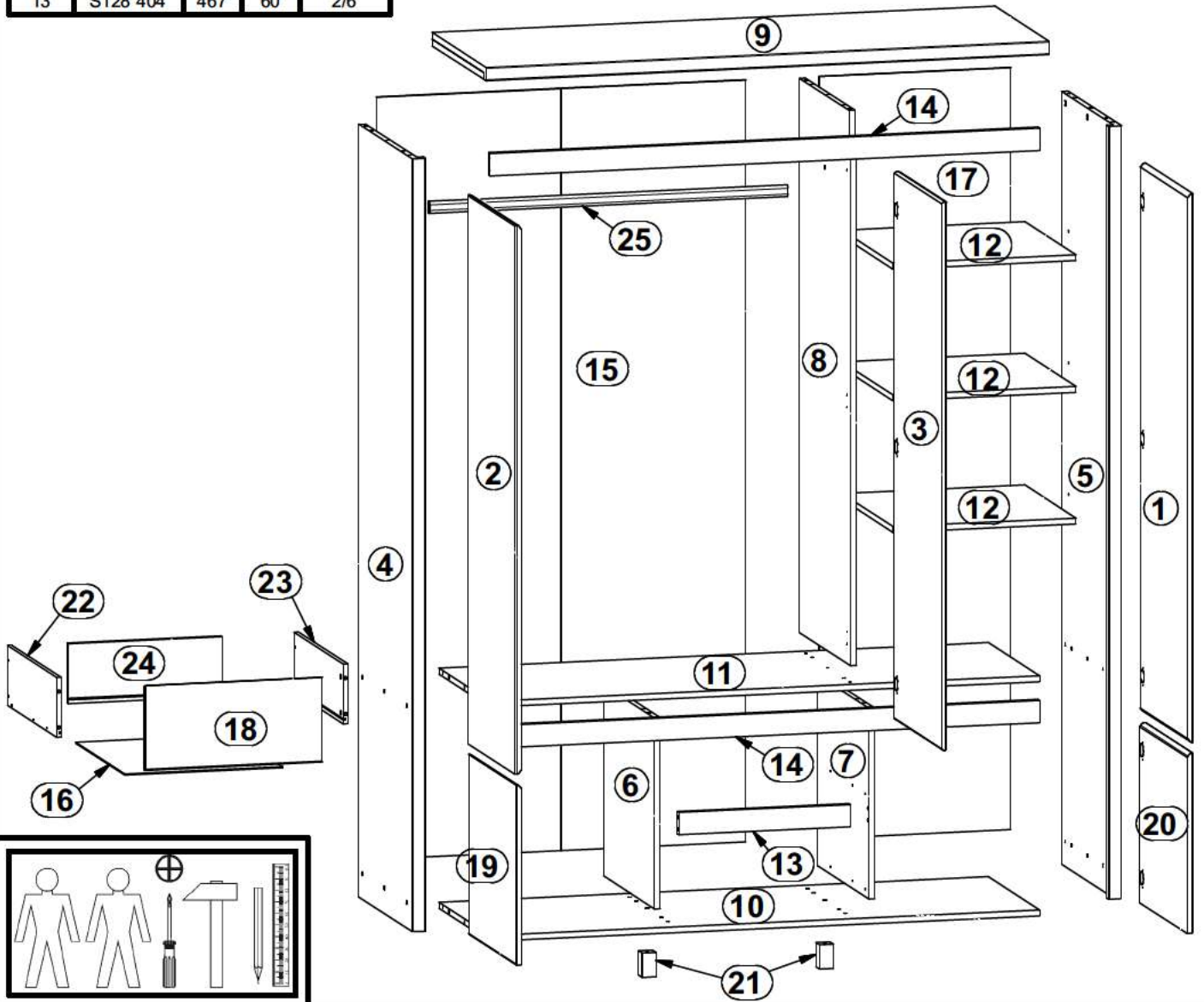
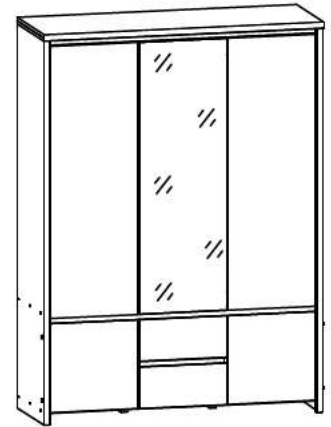


KASPIAN

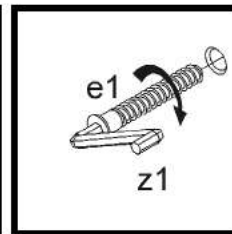
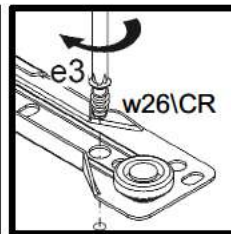
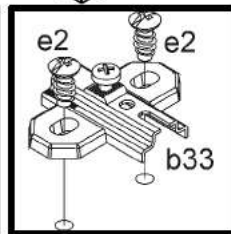
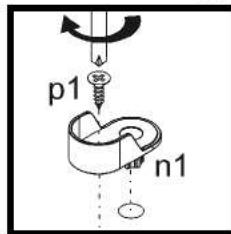
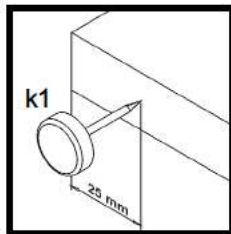
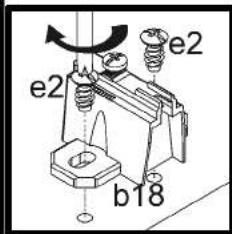
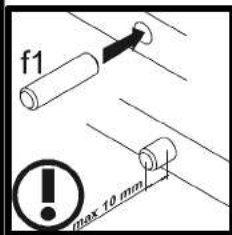
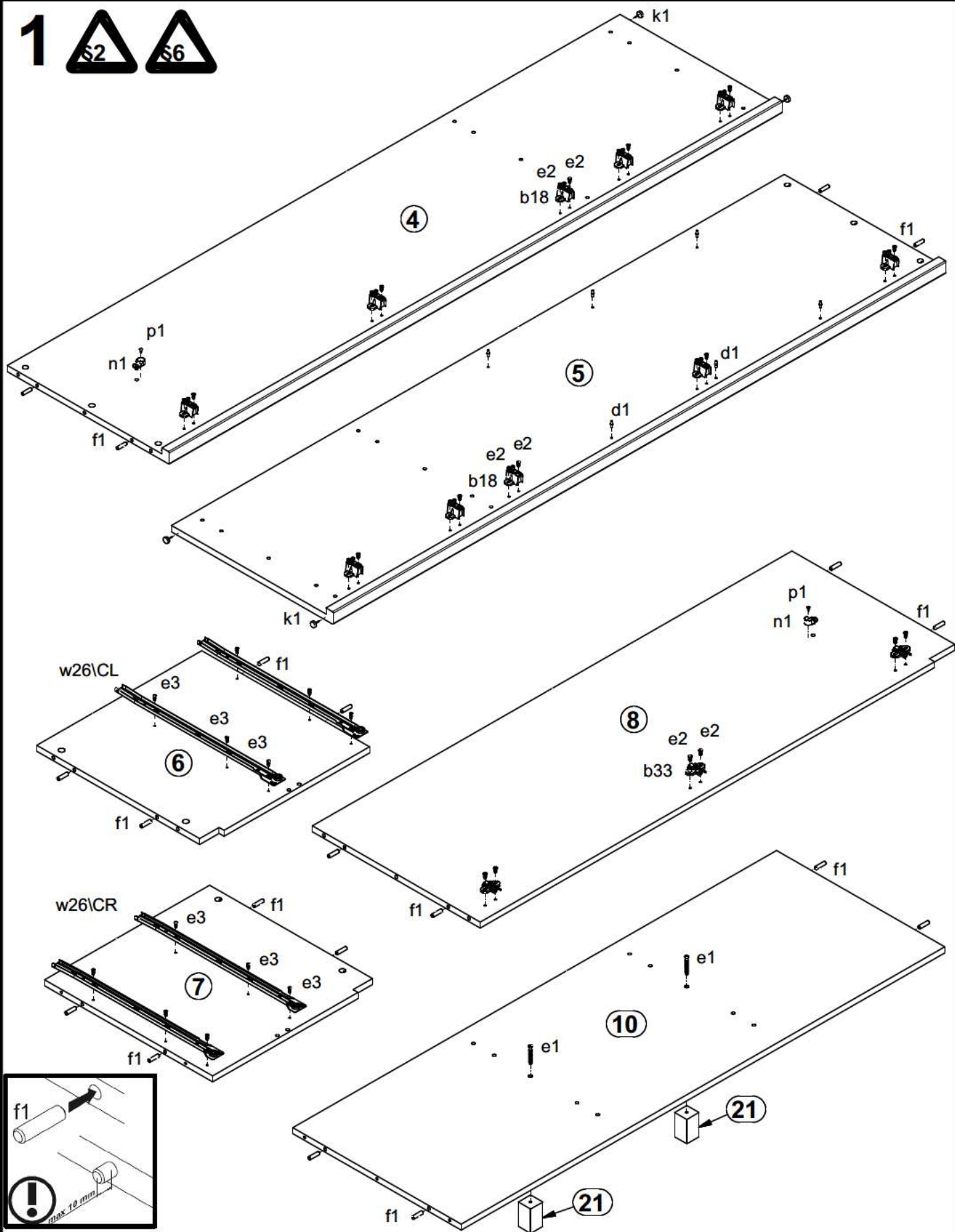
S128-SZF5D2S

A	B	C	D	A	B	C	D		
1	S128 0011	1468	482	5/6	14	S128 407	1495	60	2/6
2	S128 0012	1468	482	5/6	15	S128 912	2037	1005	1/6
3	S128 0013A	1468	482	6/6	16	S128 9913	420	498	2/6
4	S128 117	2066	546	1/6	17	S128 914	2037	521	1/6
5	S128 118	2066	546	1/6	18	S128 071	482	227	4/6
6	S128 119	510	519	3/6	19	S83 011	482	482	4/6
7	S128 120	510	519	3/6	20	S83 012	482	482	4/6
8	S128 121	1482	519	2/6	21	ZN1 501	65	38	2/6
9	S128 207	1532	549	2/6	22	BP 505	500	160	3/6
10	S128 310	1495	520	2/6	23	BP 506	500	160	3/6
11	S128 311	1495	520	2/6	24	ZP 5506	410	160	3/6
12	S128 312	498	518	3/6	25	dr 975	975	30	2/6
13	S128 404	467	60	2/6					

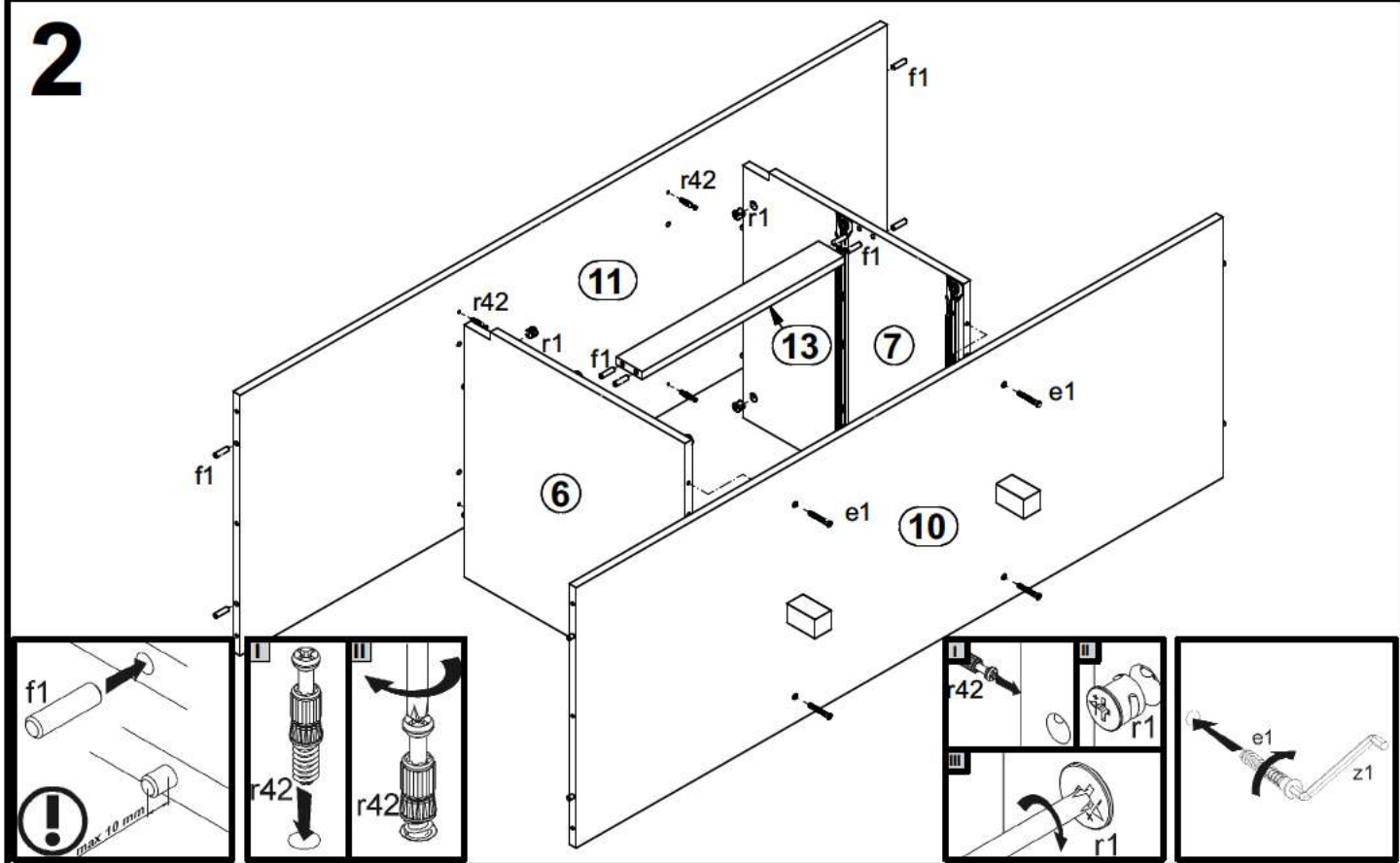


10x a43	3x a68	10x b18	3x b33	12x d1	18x e1	12x e19	26x e2	12x e3
36x f1	8x f25	4x k1	125 l1	2x n1	2x p1	26x p51	24x r1	24x r42
2x w26\CL	2x w26\CR	2x w26\DL	2x w26\DR	12x s1	12x s2	1x z1	1x n26\1	1x p38

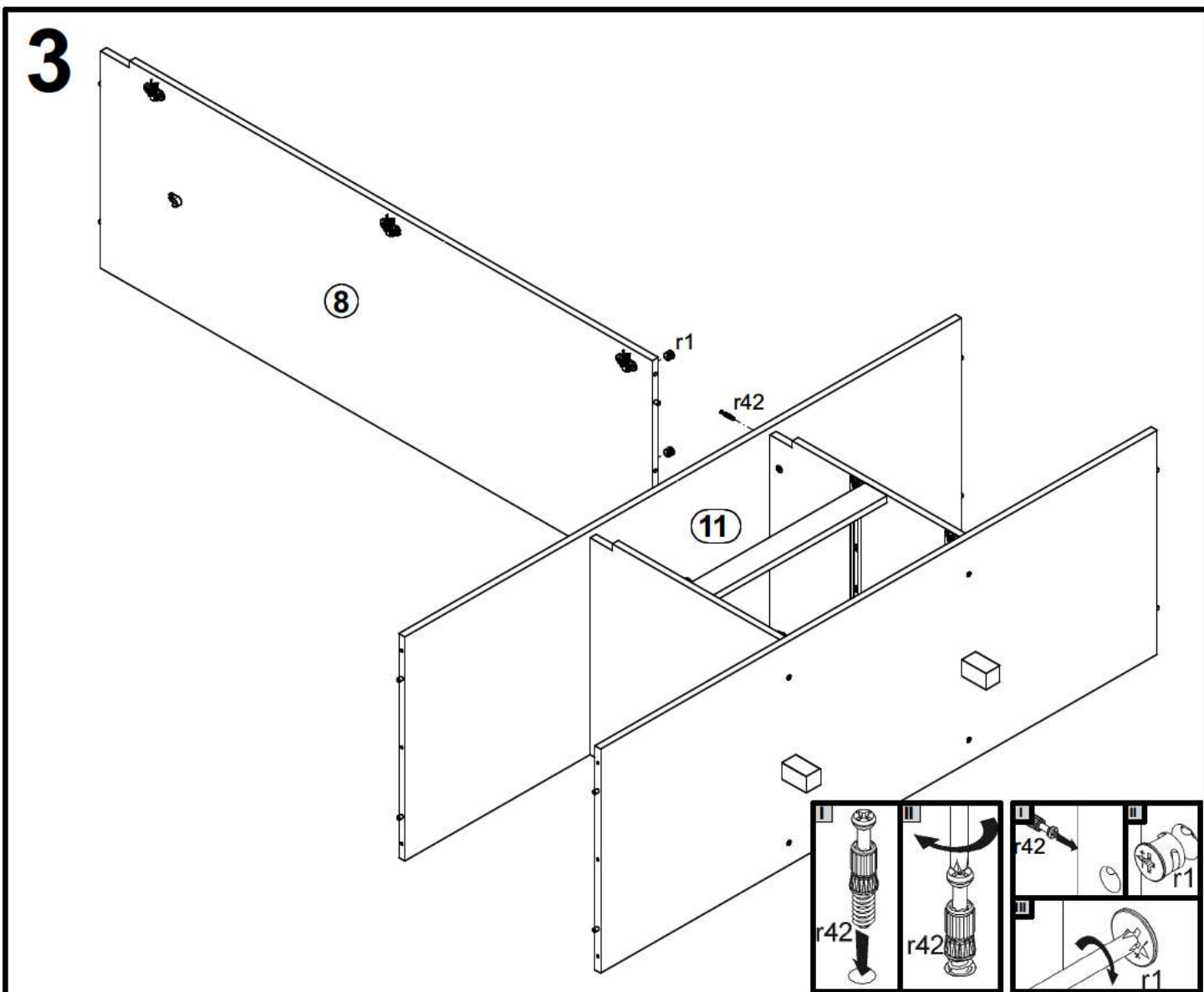
1



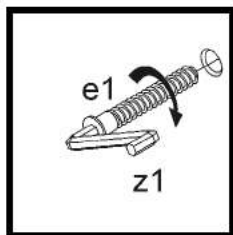
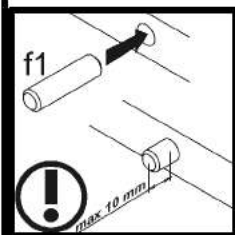
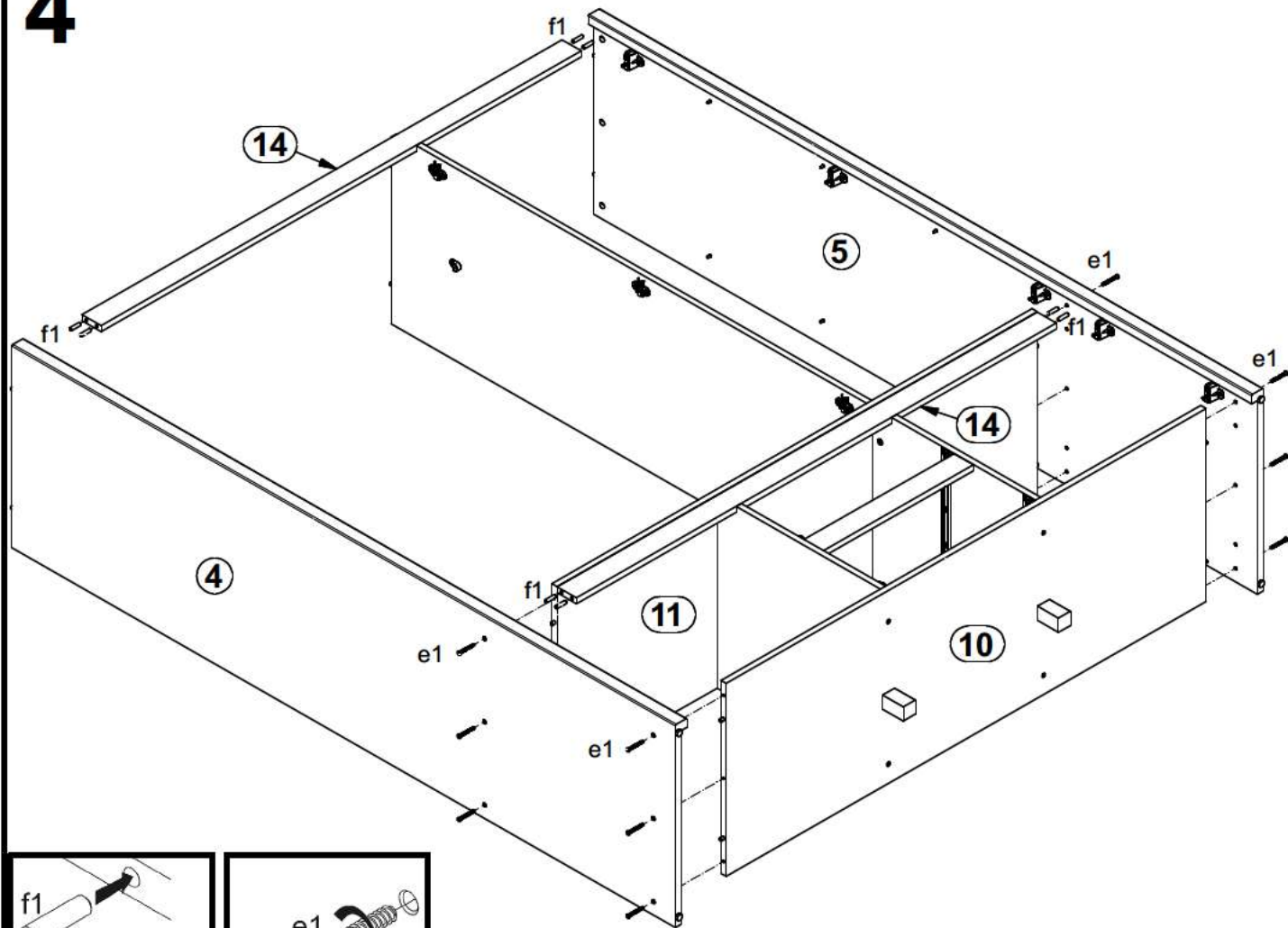
2



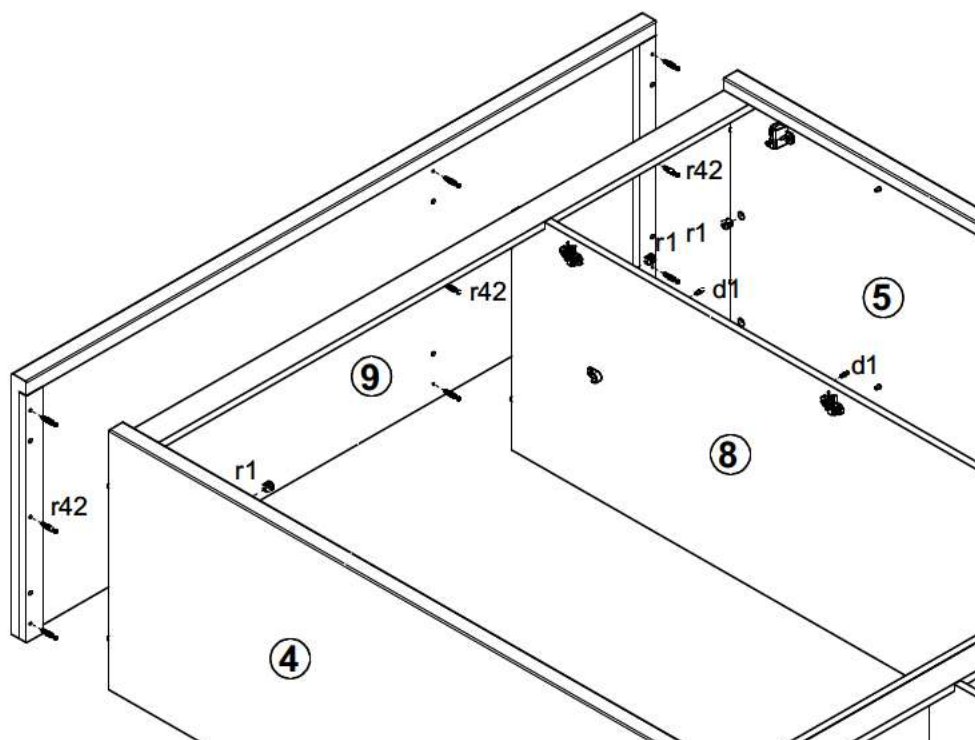
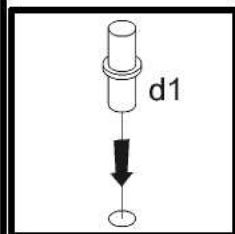
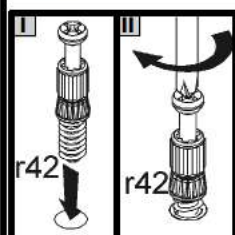
3



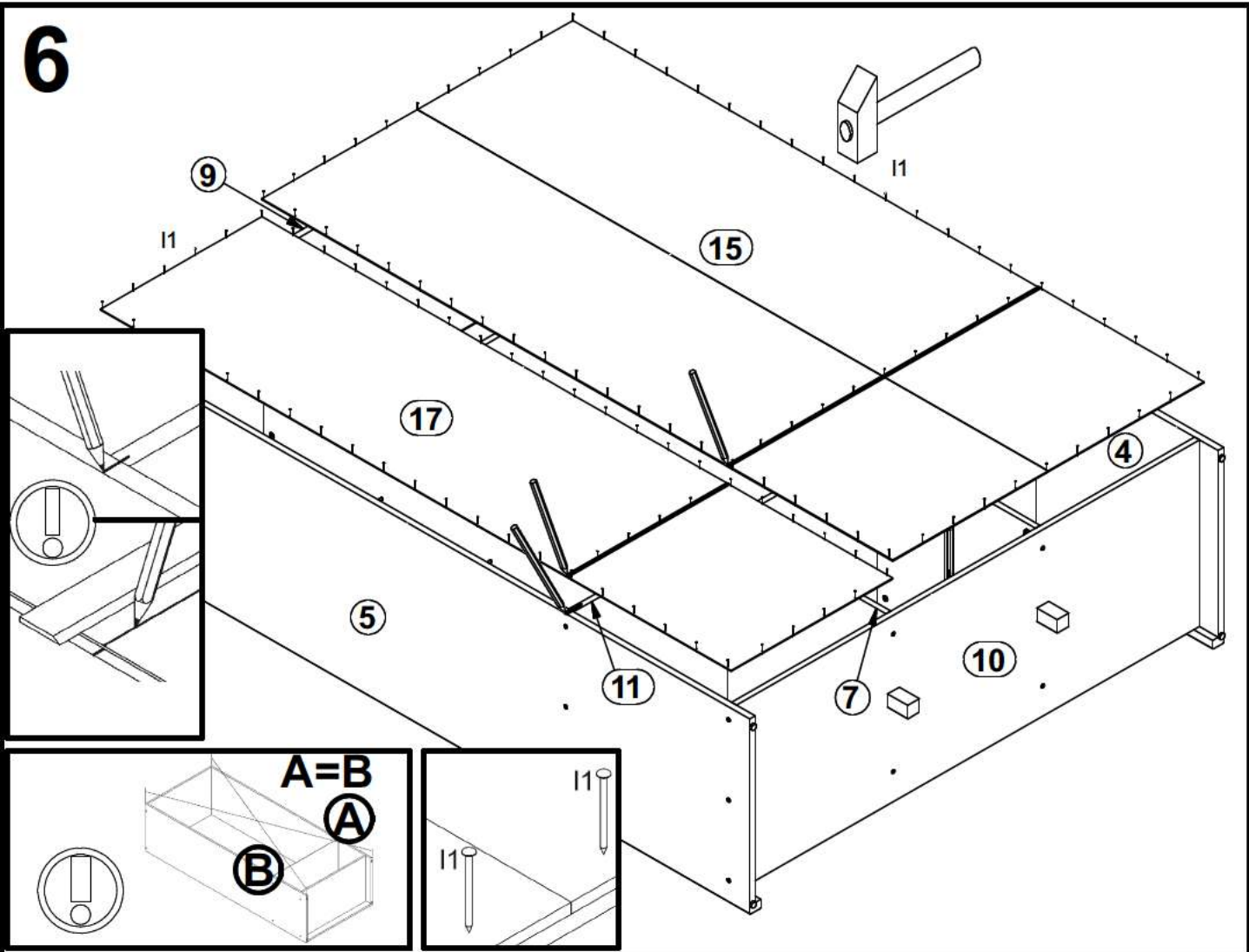
4



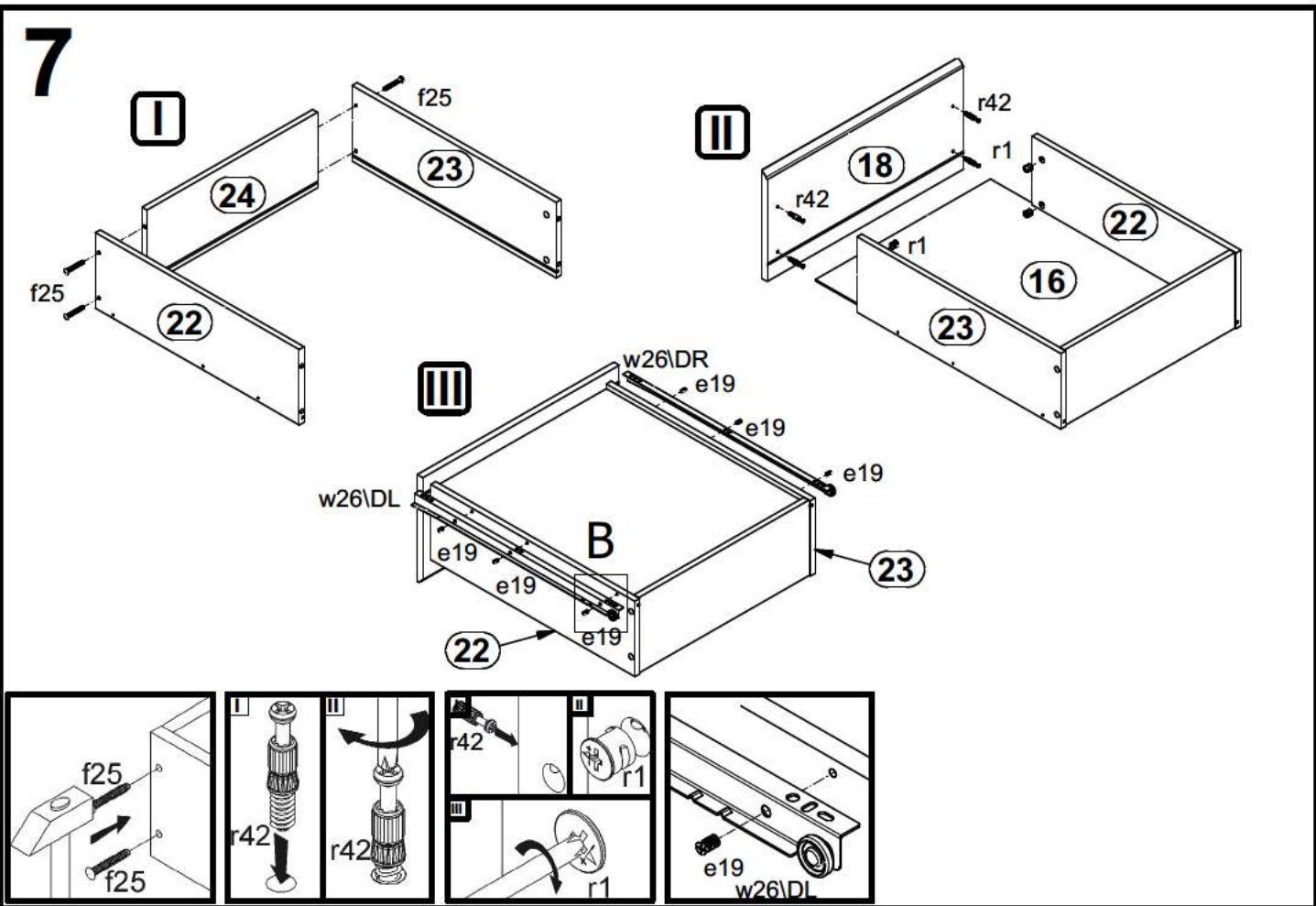
5



6



7



8

