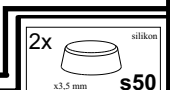
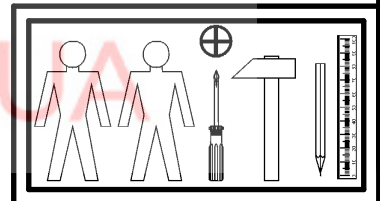
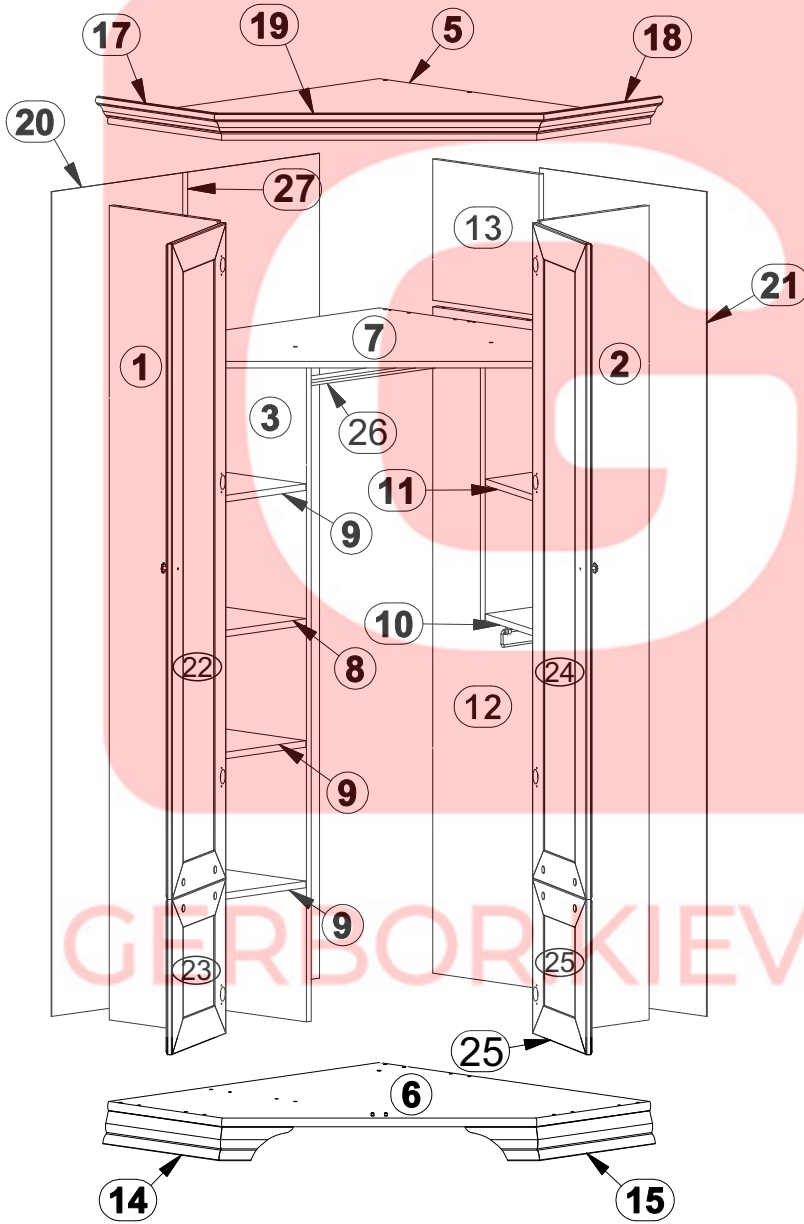
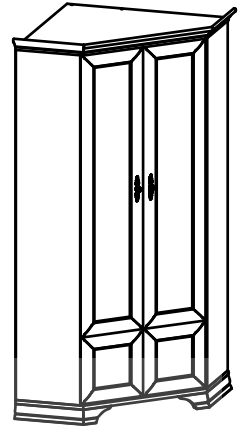


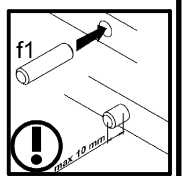
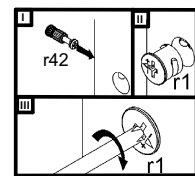
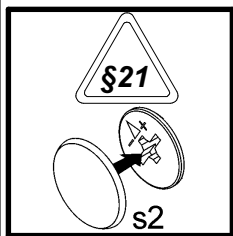
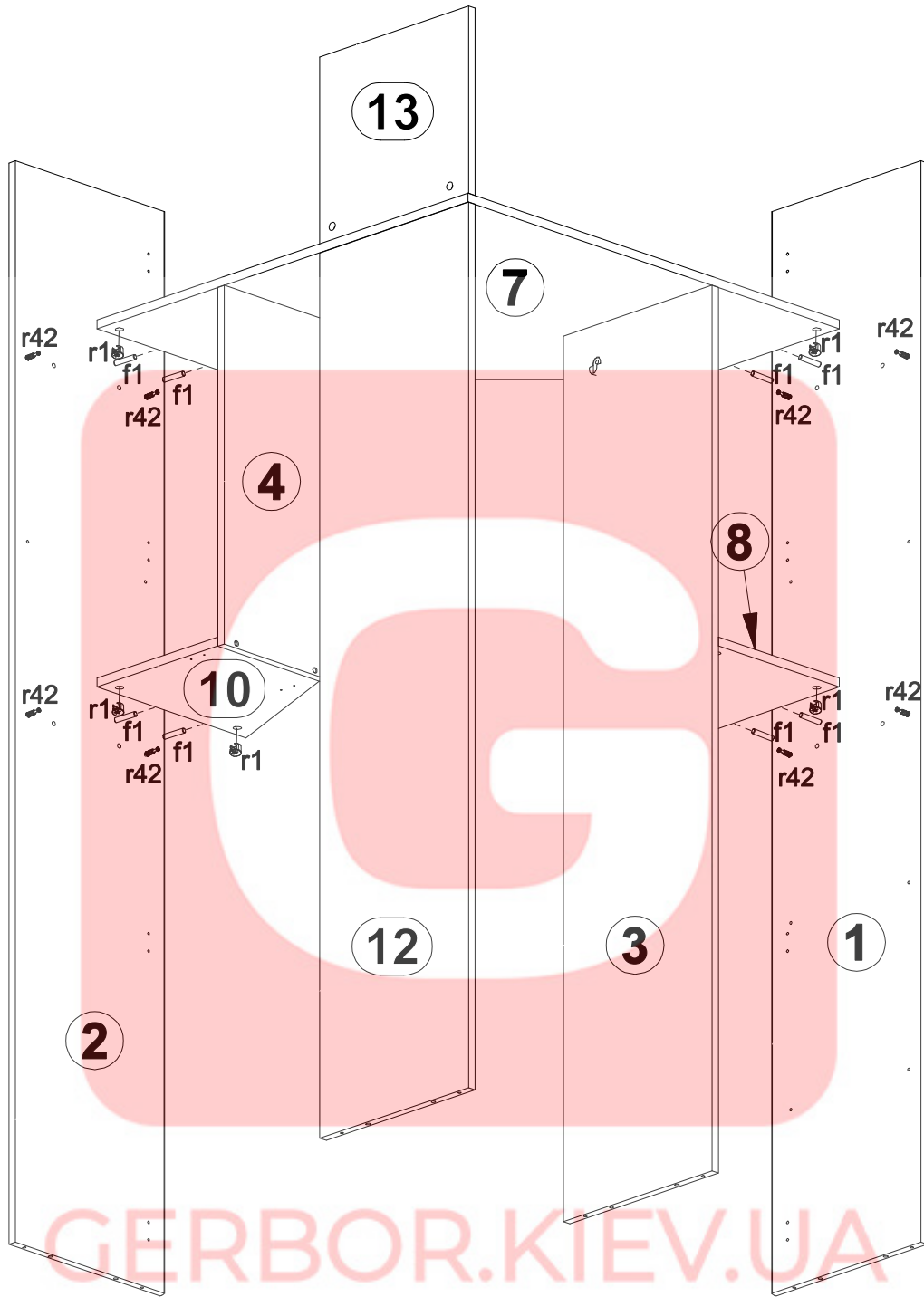
S320-SZFN2D

| A | B | C | | D | A | B | C | | D |
|----|-----------|------|-----|-----|----|------------|------|-----|-----|
| 1 | S320-164N | 2077 | 370 | 1/6 | 14 | S320-546 | 511 | 154 | 4/6 |
| 2 | S320-166N | 2077 | 370 | 1/6 | 15 | S320-547 | 511 | 154 | 4/6 |
| 3 | S320-165 | 1631 | 364 | 1/6 | 16 | S320-575 | 80 | 38 | 3/6 |
| 4 | S320-167 | 661 | 250 | 1/6 | 17 | S320-1502 | 407 | 80 | 3/6 |
| 5 | S320-256 | 930 | 930 | 2/6 | 18 | S320-1503 | 407 | 80 | 3/6 |
| 6 | S320-257 | 930 | 930 | 2/6 | 19 | S320-594 | 798 | 80 | 3/6 |
| 7 | S320-334 | 908 | 908 | 2/6 | 20 | S320-938N | 2103 | 458 | 6/6 |
| 8 | S320-335 | 295 | 364 | 2/6 | 21 | S320-939N | 2103 | 572 | 6/6 |
| 9 | S320-336 | 294 | 363 | 2/6 | 22 | S320-0044N | 1689 | 380 | 5/6 |
| 10 | S320-337 | 295 | 364 | 2/6 | 23 | S320-0043 | 380 | 380 | 5/6 |
| 11 | S320-338 | 294 | 363 | 2/6 | 24 | S320-0047N | 1689 | 380 | 5/6 |
| 12 | S320-168 | 1631 | 364 | 1/6 | 25 | S320-0046 | 380 | 380 | 5/6 |
| 13 | S320-169N | 430 | 364 | 1/6 | 26 | dr-573 | 573 | 30 | 1/6 |
| | | | | | 27 | Lh-2071 | 1986 | 14 | 6/6 |

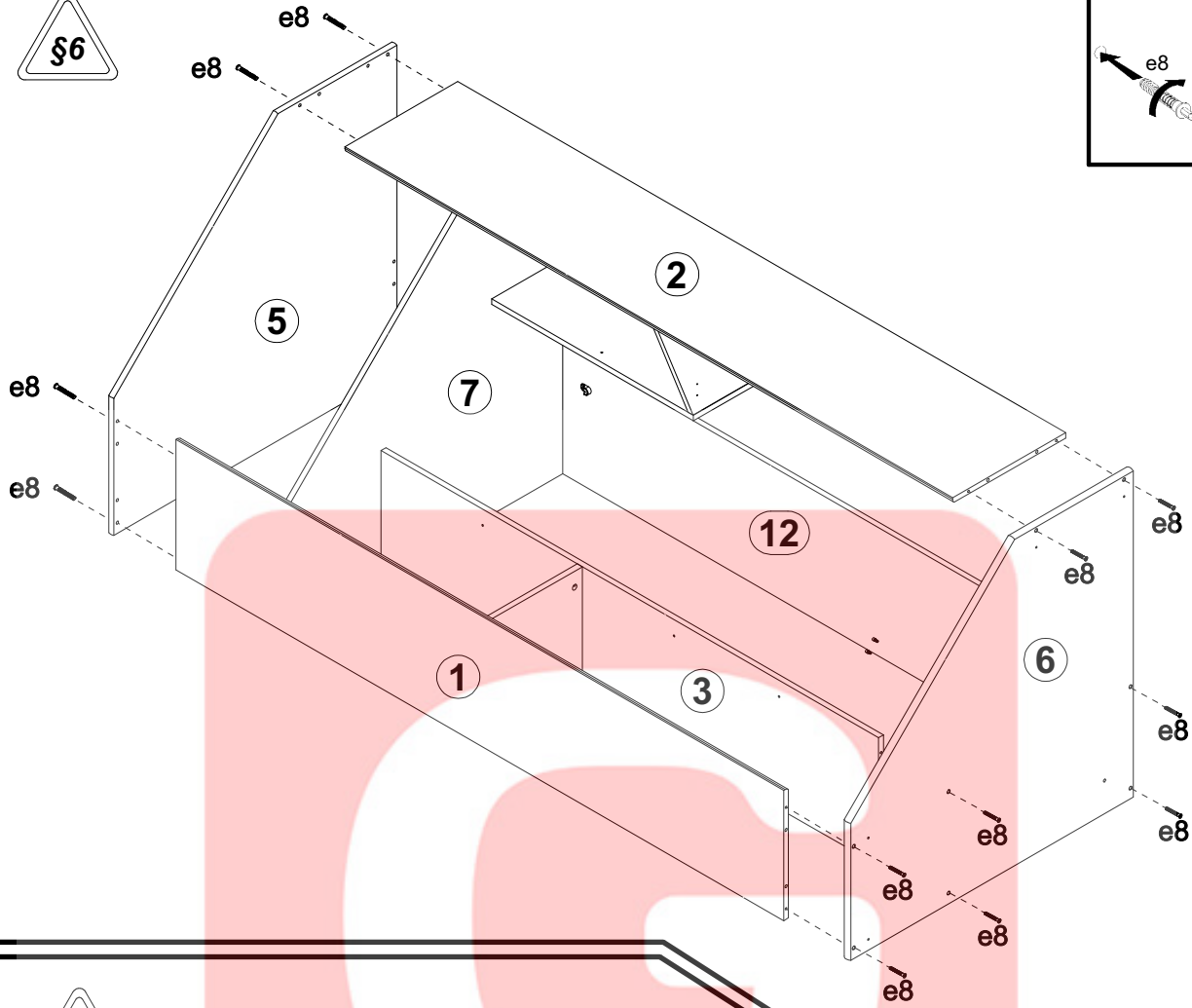


| | | | | | | | | | |
|-------------------------------------|-------------------|-----------|-----------|---------------------------------|----------------------------------|----------------|-----------------------------------|------------------|------------------------|
| 8x a49 | 8x b20 D1.5 | 2x c35/1 | 2x c35/2 | 16x d1 $\phi 5 \times 17$ mm | 23x e8 $\phi 7.5 \times 60$ mm | 4x p27 x13 mm | 2x p1 $\text{ш}3.5 \times 13$ mm | 1шт. f35 x50 mm | 1шт. p17 x60 mm |
| 34x f1 $\phi 8 \times 30$ mm | 2x j6 M4x30 mm | 12x r42 | 130x l1 | 4x e26 $\phi 7.5 \times 35$ mm | 16x p51 $\phi 3.5 \times 15$ mm | 4x p46 x7 mm | 6x p8 x25 mm | 2x d4 x15 mm | 2x n48 26x26x16/1-155 |
| 20x r1 $\phi 1.5 \times 12$ mm #16 | 18x s2 $\phi 16$ | 7x s1 | 1x z1 | 1x n26/1 | 11x p38 $\phi 3.5 \times 16$ mm | 4x r10 | 4x f6 x50 mm | 1x m42 L-250 | 2x n1 |

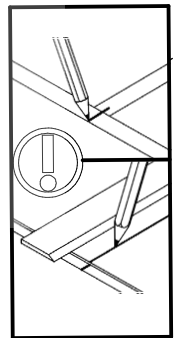
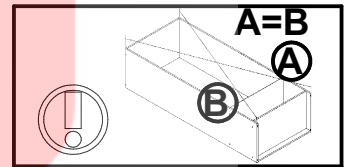
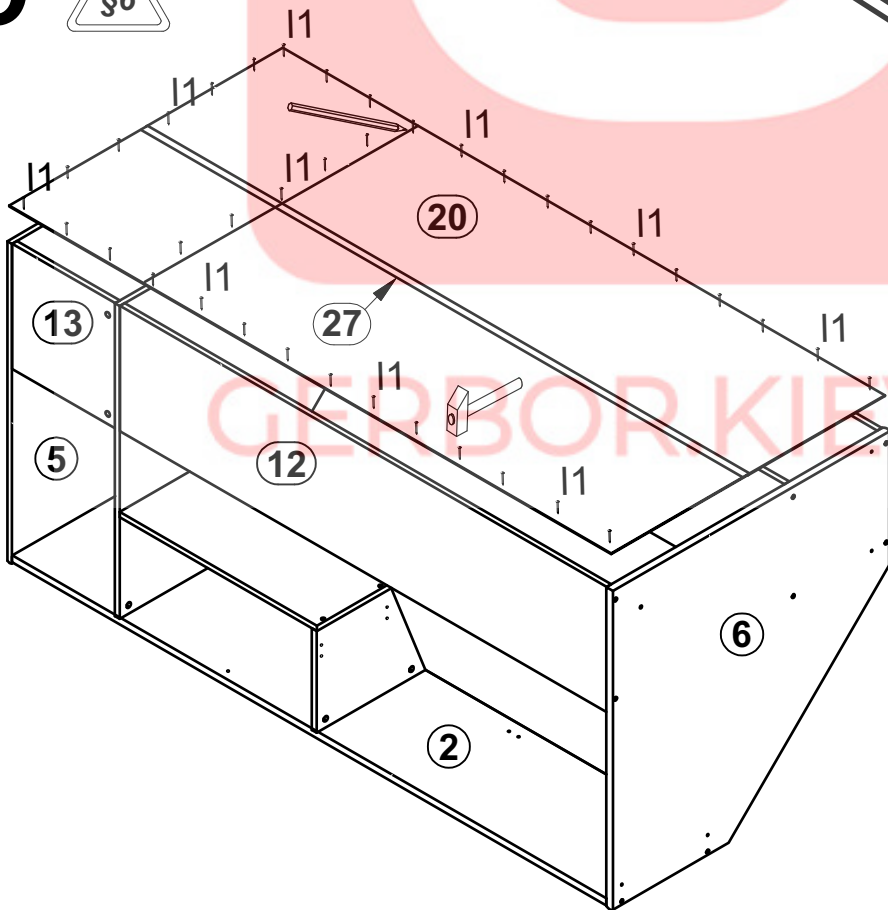
3



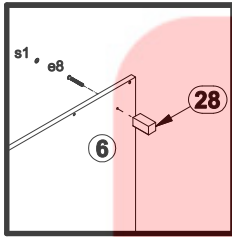
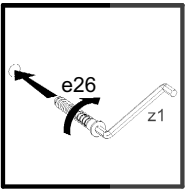
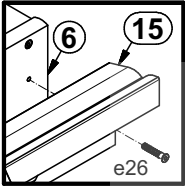
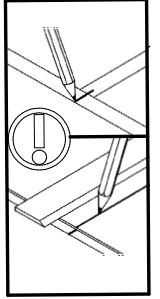
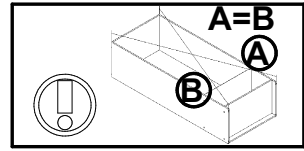
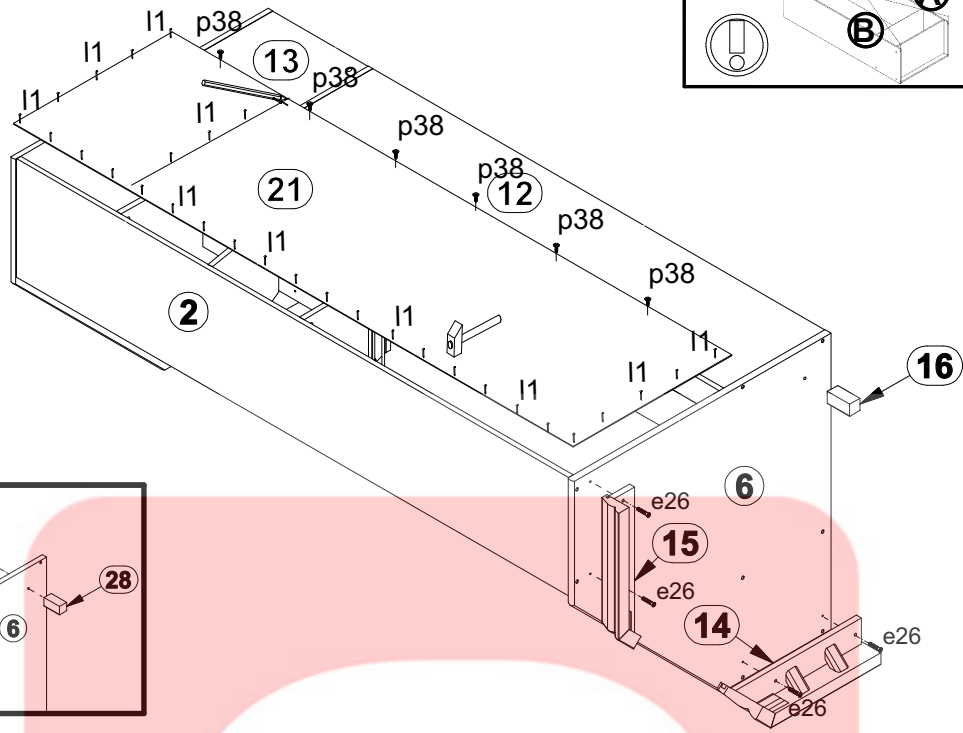
4



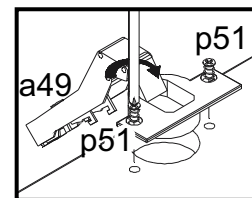
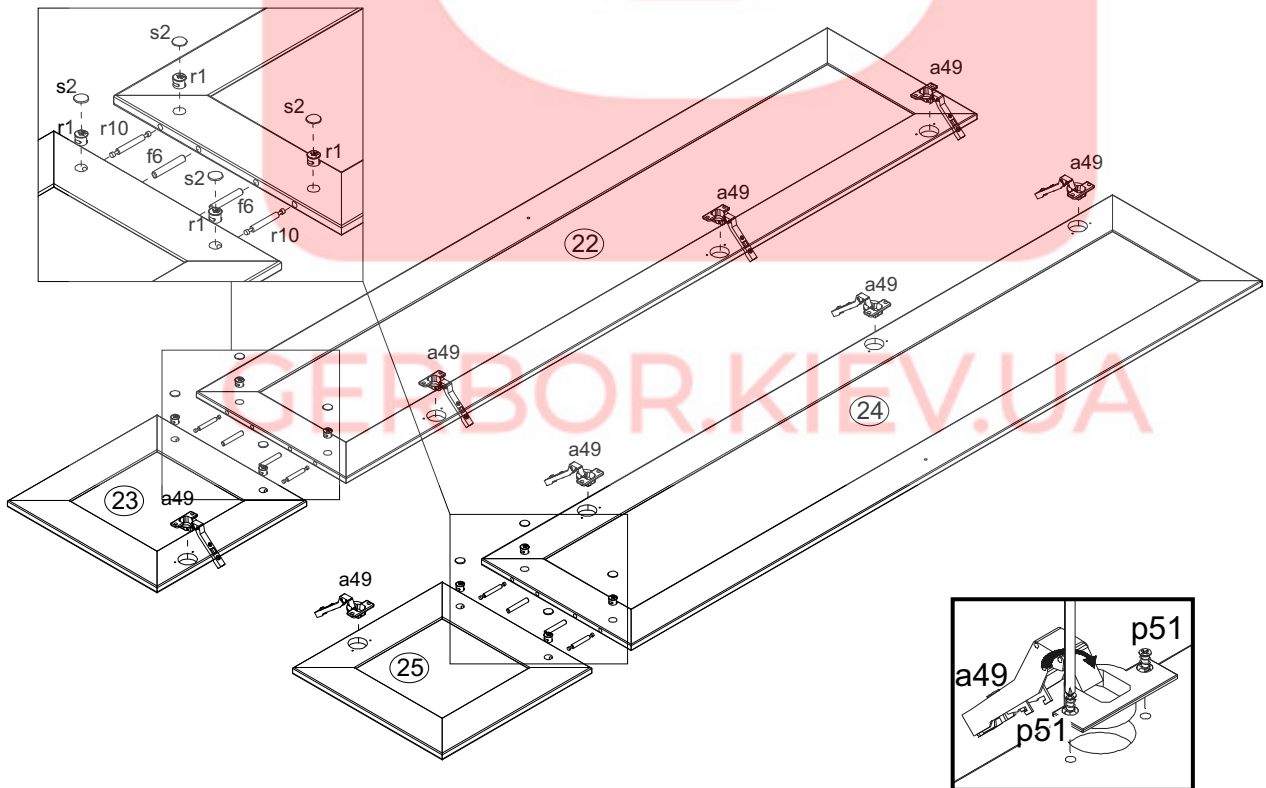
5



6



7



8

