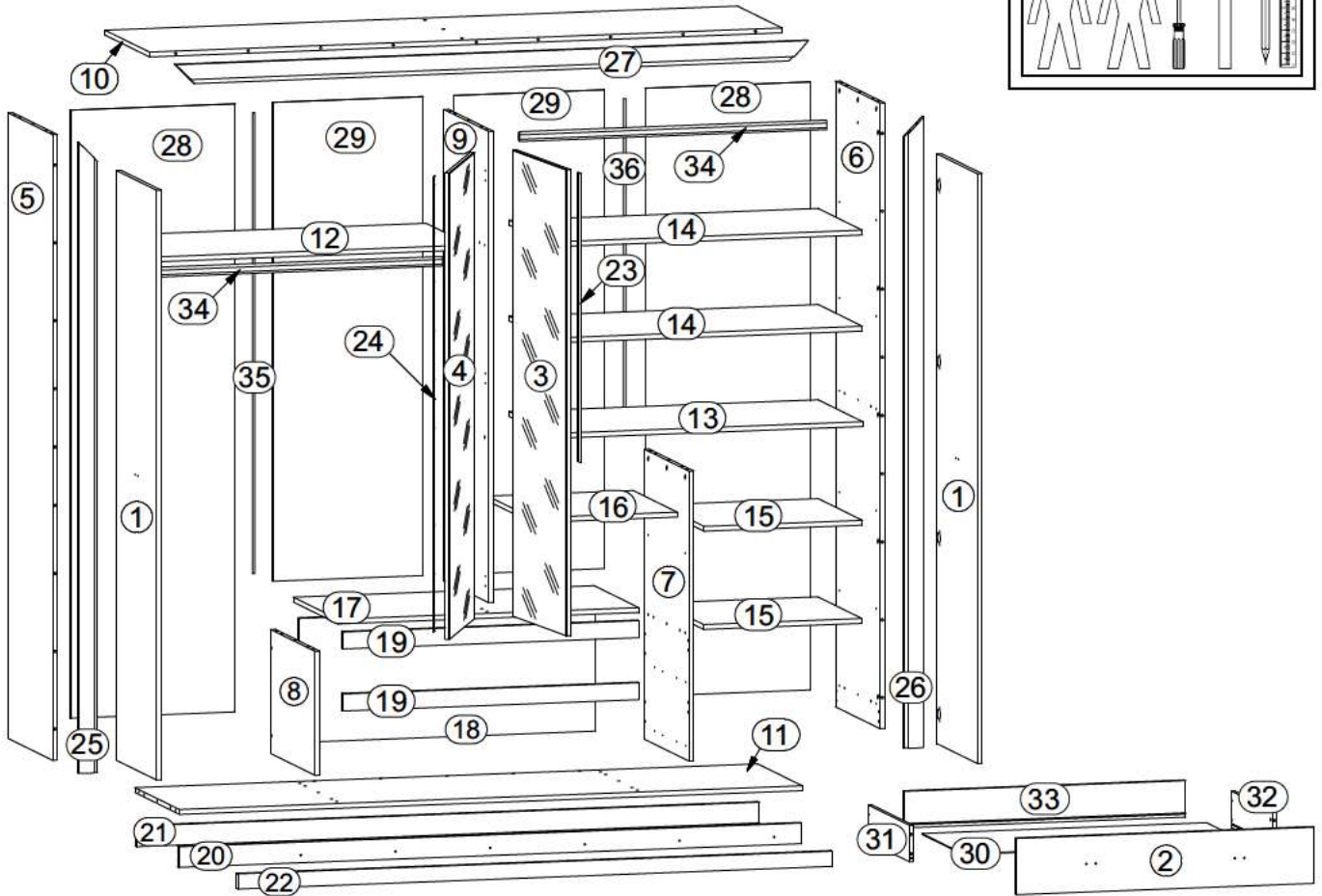
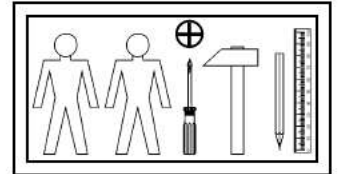
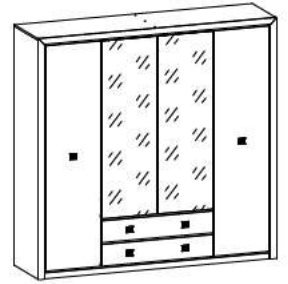
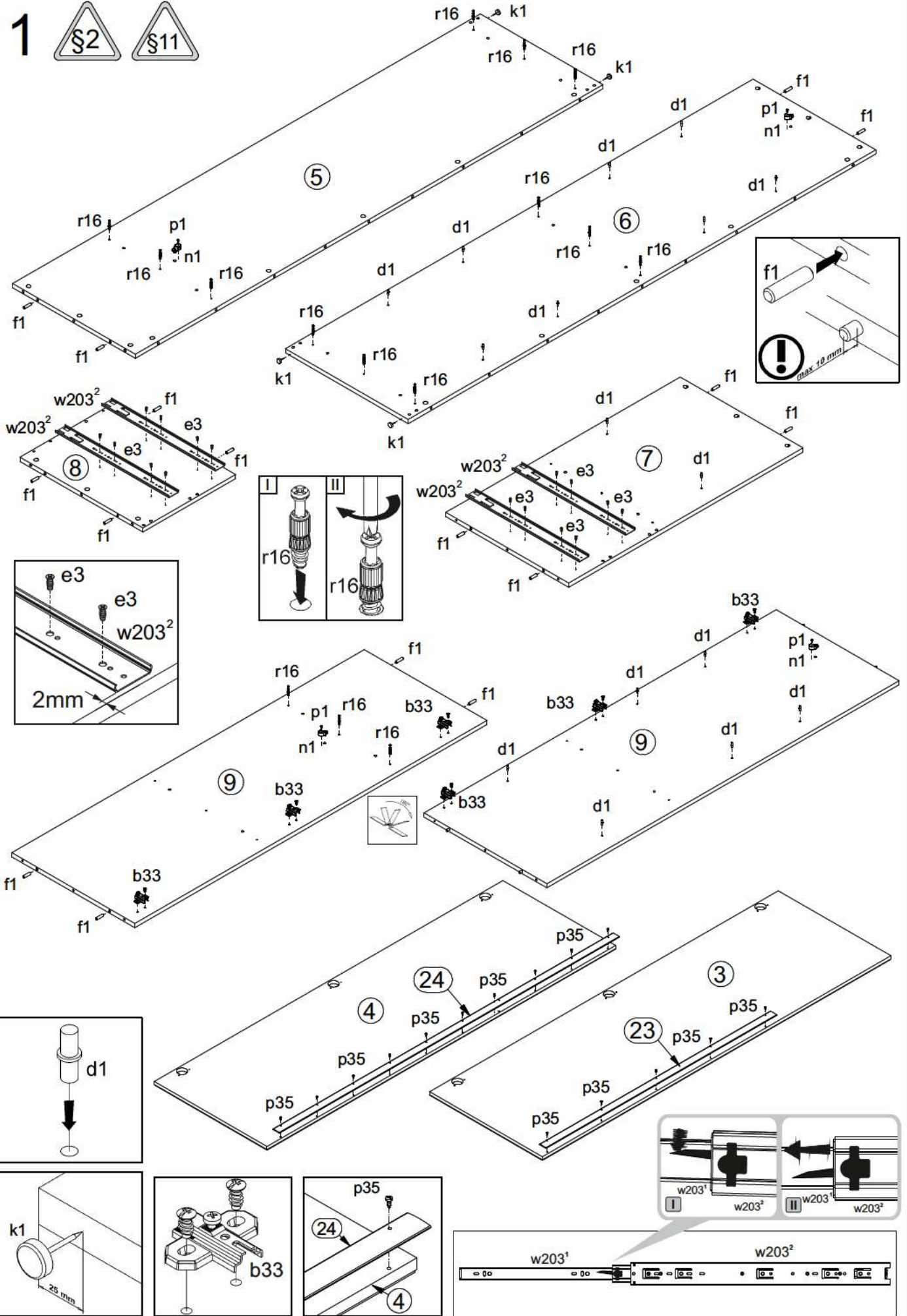


A	B	C	D	A	B	C	D		
1	S136 0013	1940	488	6/7	19	S136 432	1000	56	2/7
2	S136 0051	1004	185	6/7	20	S136 430	2105	68	2/7
3	S136 0024	1534	498	7/7	21	S136 429	2105	68	2/7
4	S136 0017	1534	498	7/7	22	S136 431	2009	50	2/7
5	S136 144	2058	540	1/7	23	S136 507	950	29	1/7
6	S136 163	2058	540	1/7	24	S136 505	1496	29	1/7
7	S136 1118	954	540	2/7	25	S136 593	2075	65	5/7
8	S136 1119	408	540	2/7	26	S136 594	2075	65	5/7
9	S136 161	1550	540	1/7	27	S136 598	2139	65	5/7
10	S136 219	2138	540	2/7	28	S136 919	2000	556	1/7
11	S136 329	2105	540	2/7	29	S136 925	1575	508	1/7
12	S136 319	1044	535	3/7	30	S136 941	957	498	4/7
13	S136 331	1044	540	3/7	31	S136 5509	500	120	4/7
14	S136 332	1044	535	3/7	32	S136 5510	500	120	4/7
15	S136 321	535	535	4/7	33	S136 5519	942	120	4/7
16	S136 333	492	535	4/7	34	DR 1039	1039	24	3/7
17	S136 330	1017	540	3/7	35	LH 1549	1549	14	1/7
18	S136 5566	1000	408	3/7	36	LH 1003	1003	14	1/7



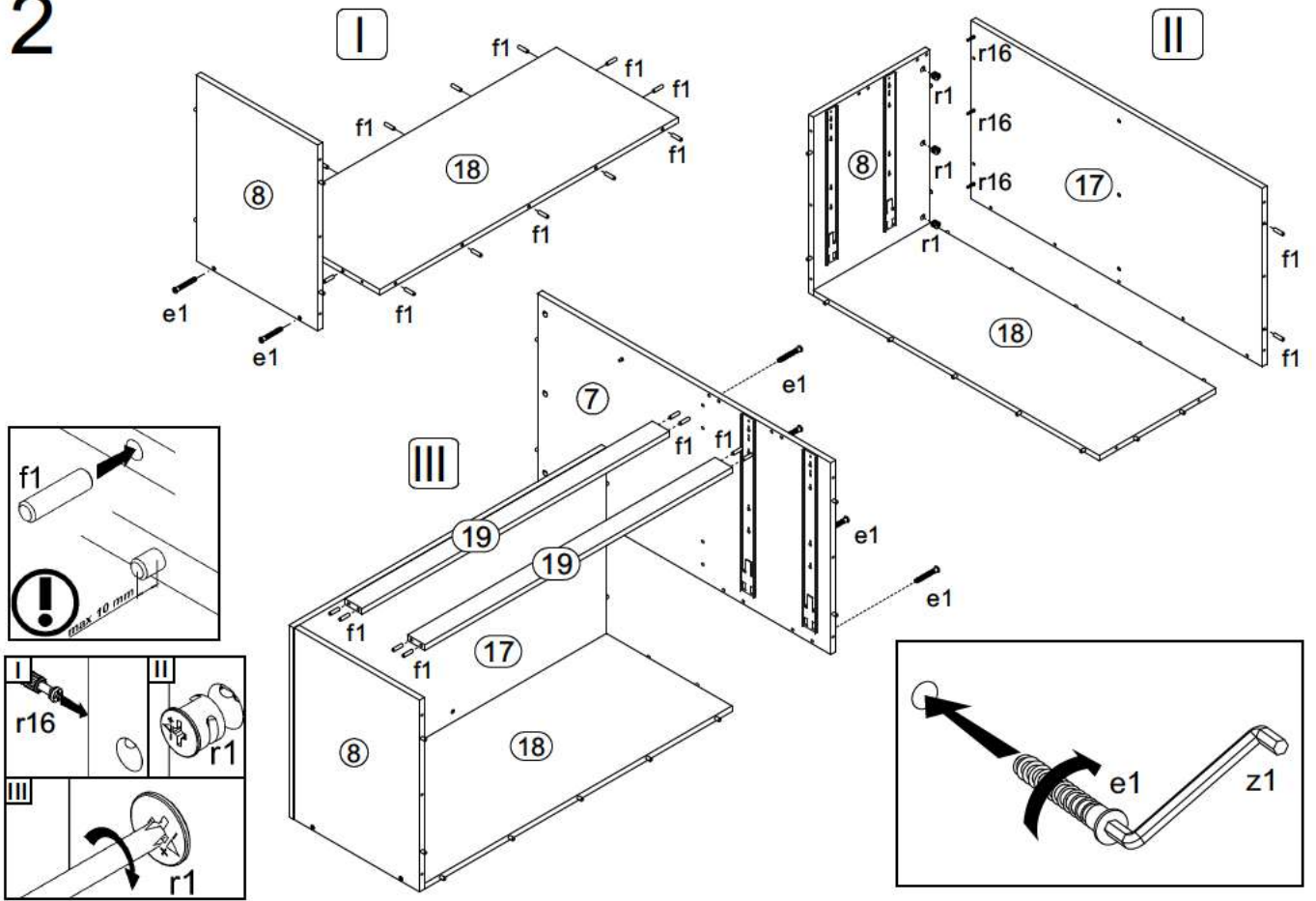
8x  a99	6x  a68	8x  b43	6x  b33	6x  c317	20x  φ5x17 mm d1	22x  φ7x50 mm e1
16x  φ6,3x13 mm e2	16x  φ6x13 mm e3	12x  φ5x9 mm e19	8x  φ5x50 mm e32	82x  φ8x30 mm f1	12x  M4x22 mm j30	8x  k1
170x  l1	4x  n1	1x  n26/1	1x  n899	4x  φ3,5x13 mm p1	8x  φ3,5x16 mm p25	15x  φ3,5x10 mm p35
1x  φ3,5x16 mm p38	28x  φ3,5x15 mm p51	4x  φ3x12 mm p54	7x  φ4x28 mm p94	16x  φ3,5x12 mm p140	54x  φ1,5x12mm #16 r1	2x  r10
50x  20/9 r16	32x  ø16 s2	4x  483mm t17	4x  500 mm w203 <sup>1</sup>	4x  500 mm w203 <sup>2</sup>	1x  z1	

1

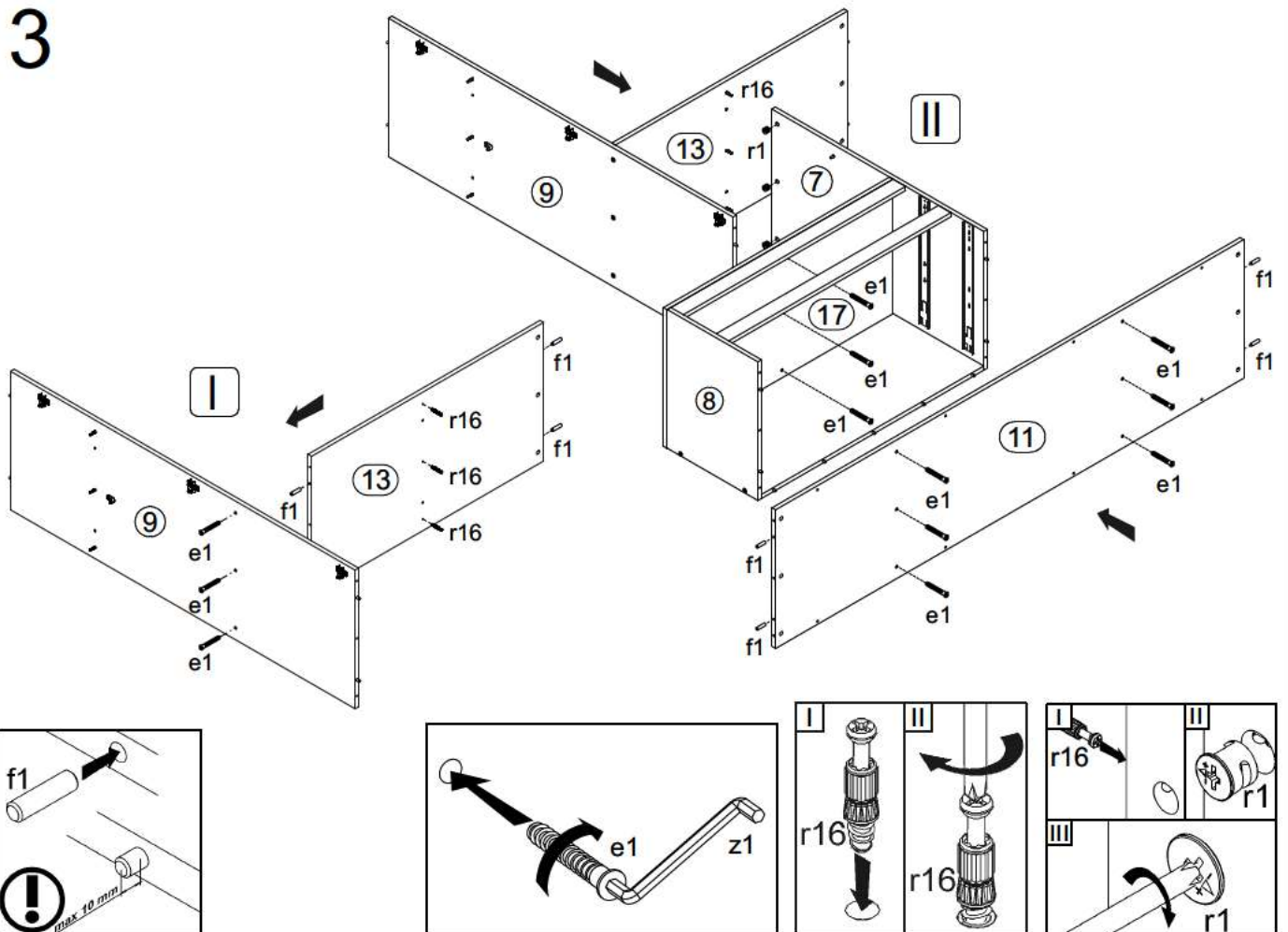




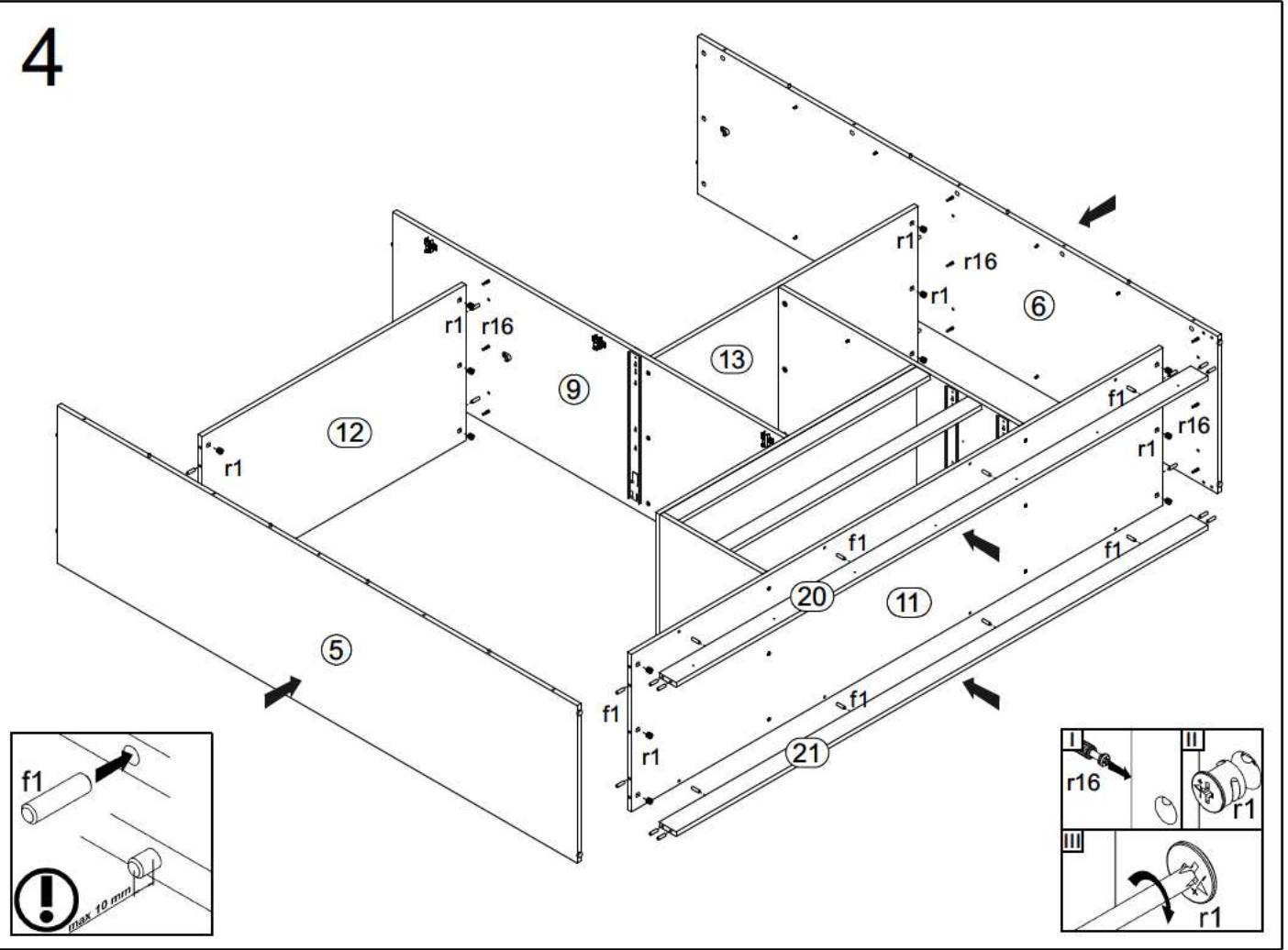
# 2



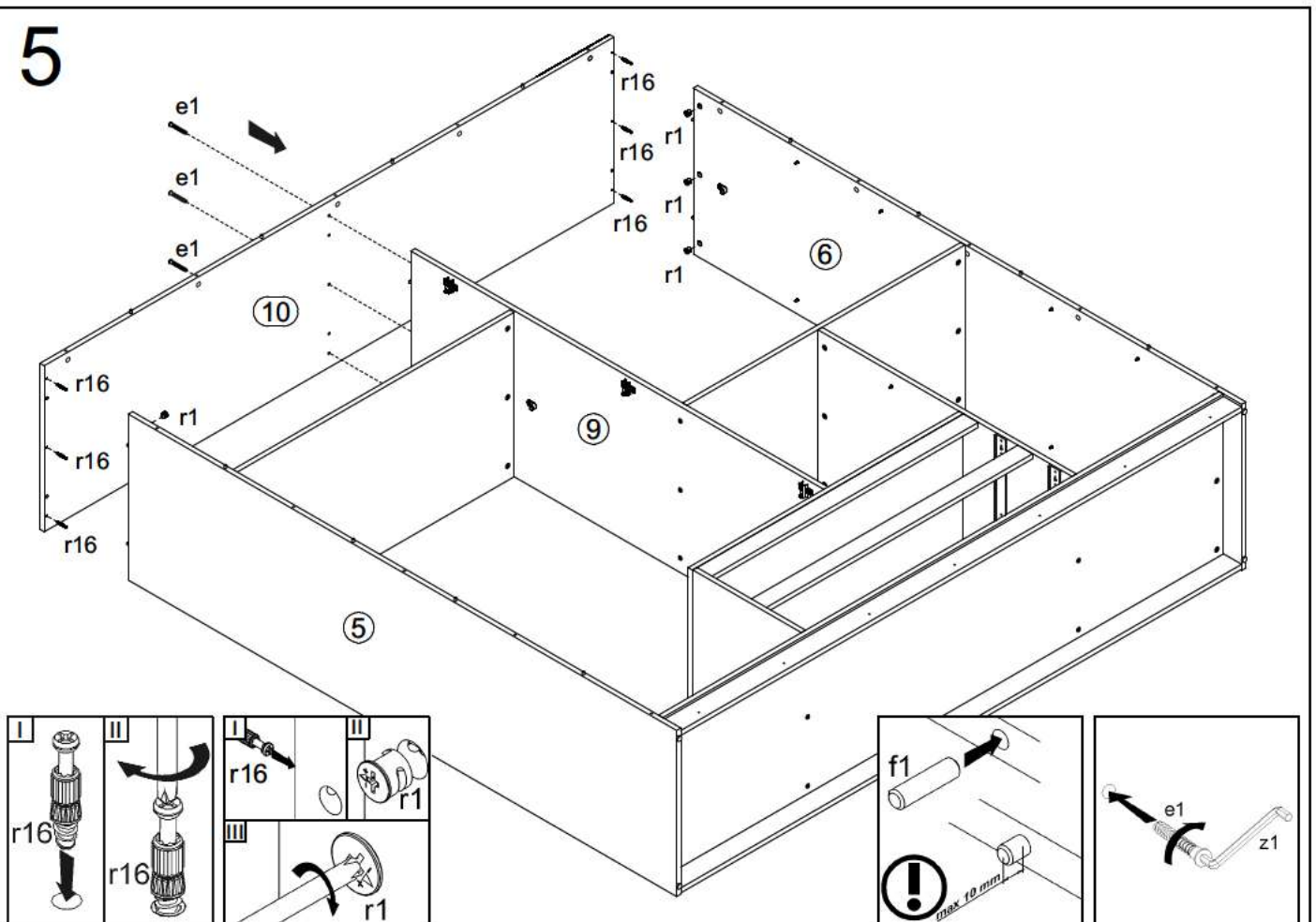
# 3



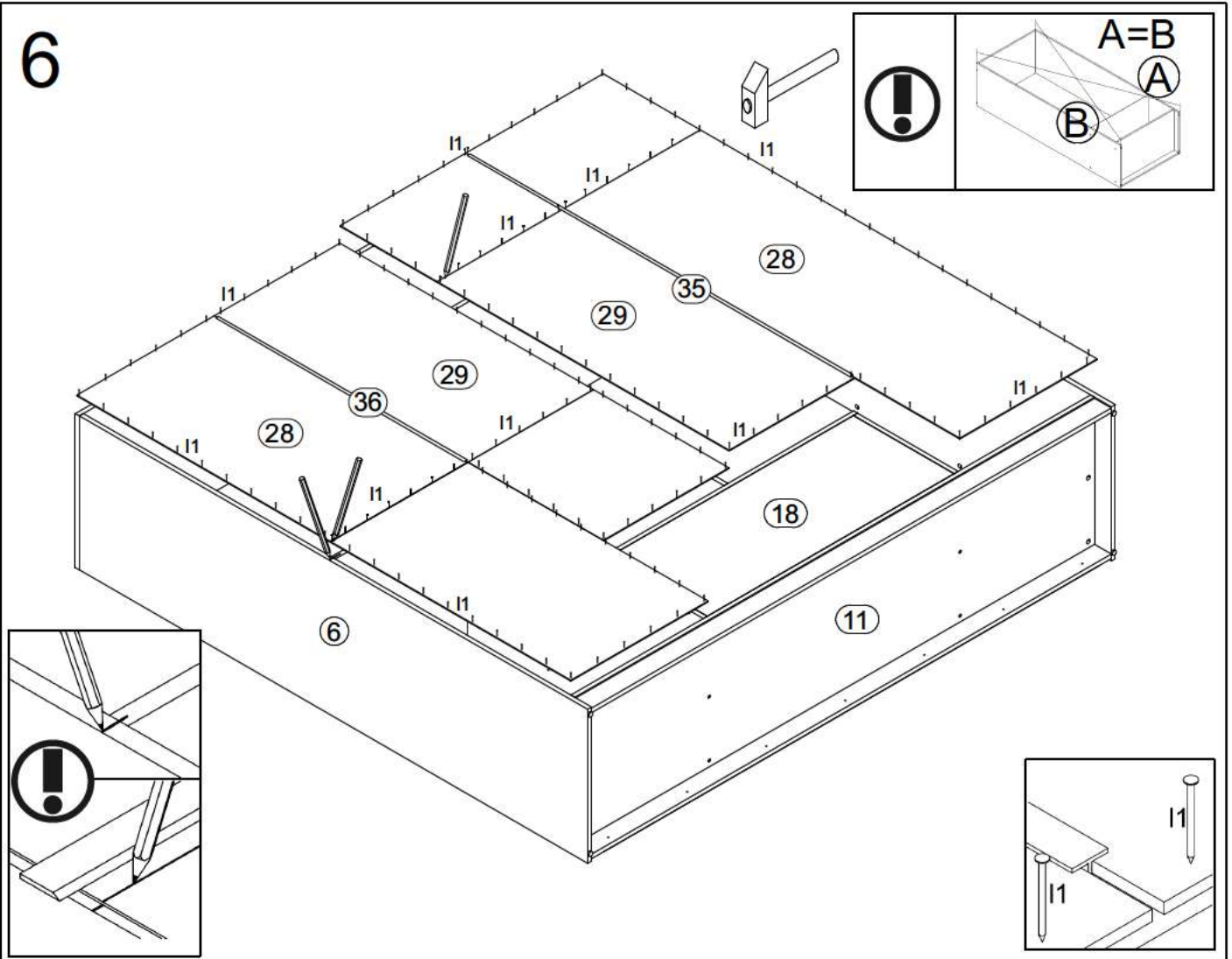
# 4



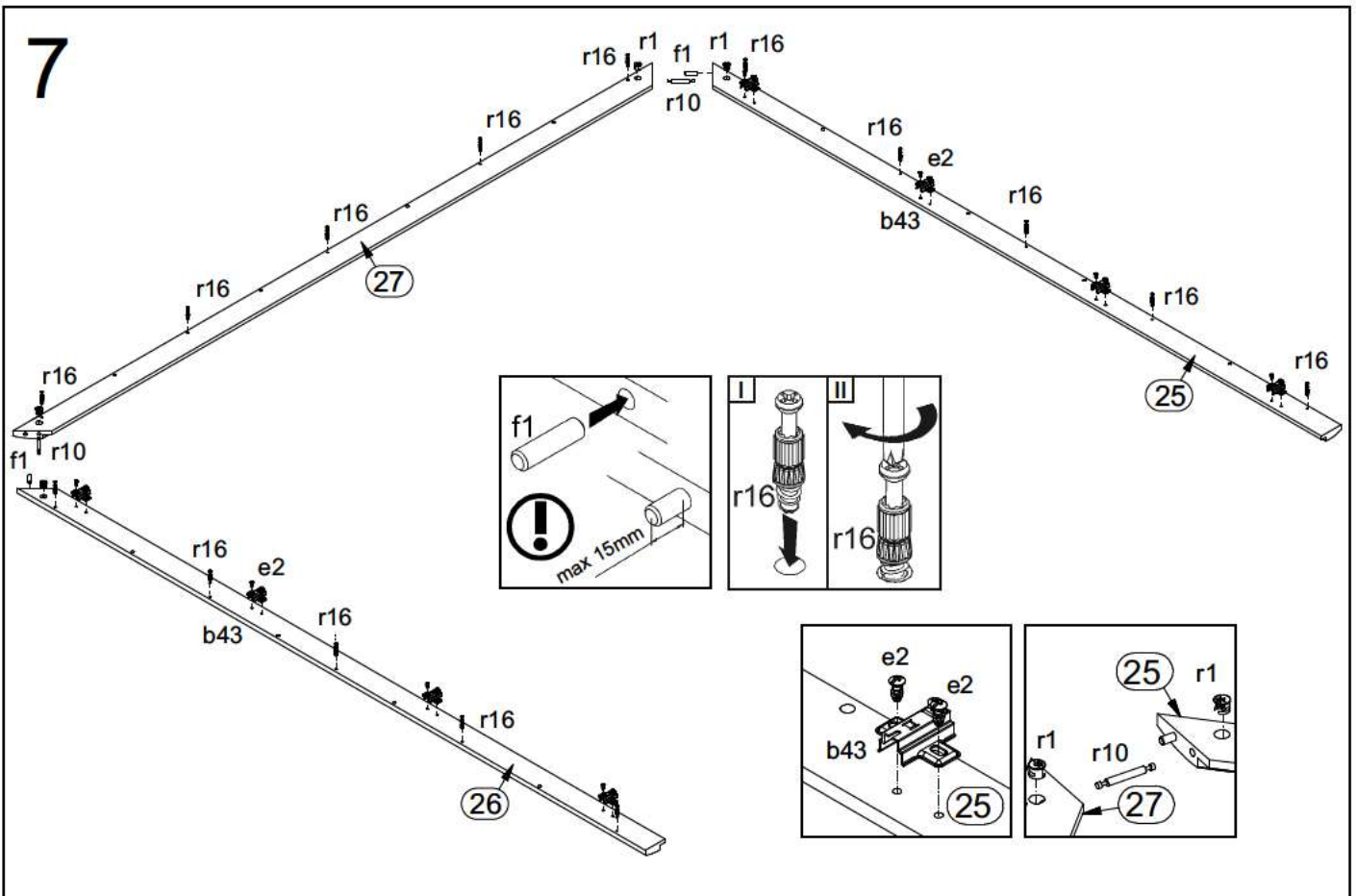
# 5



# 6

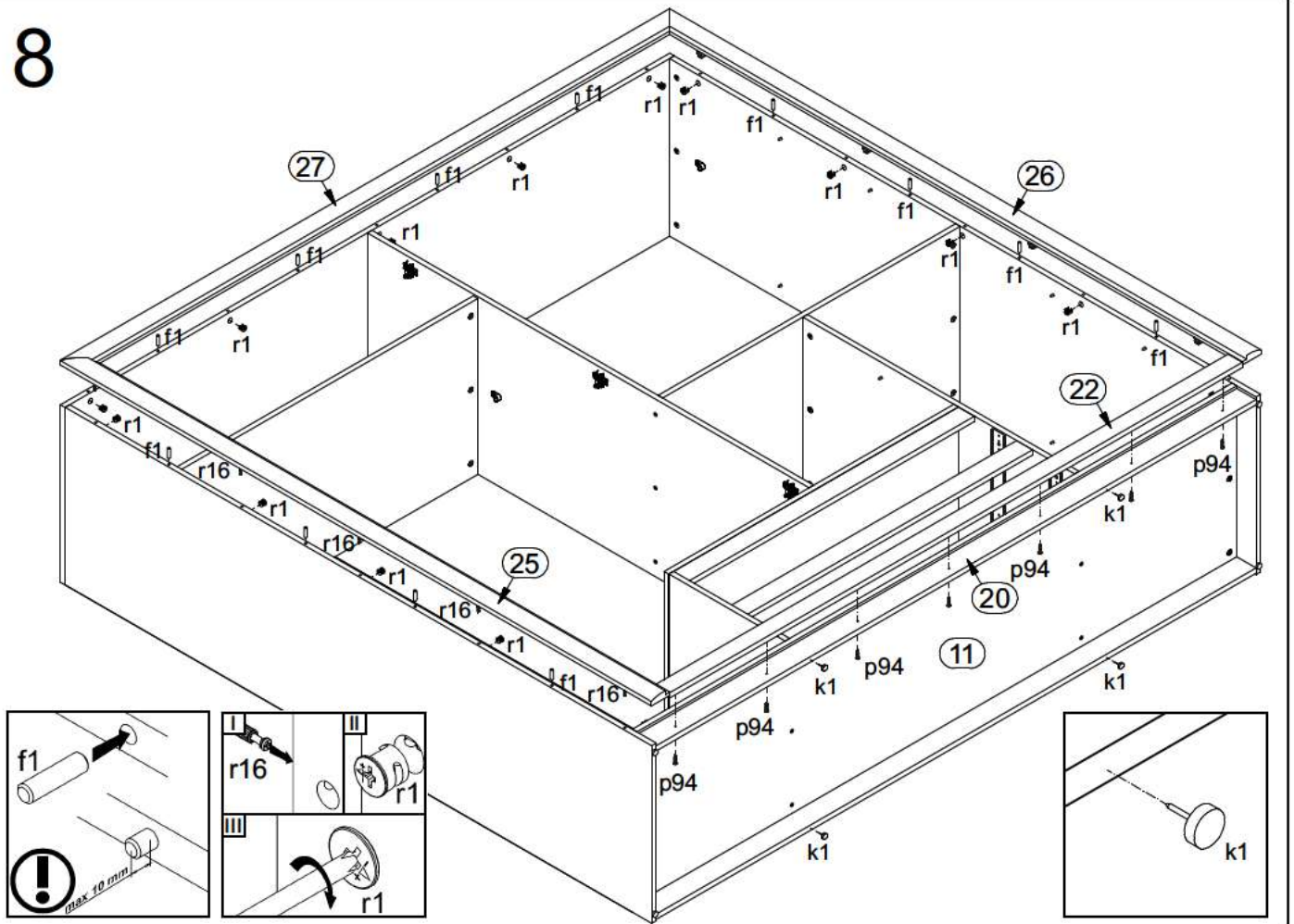


# 7

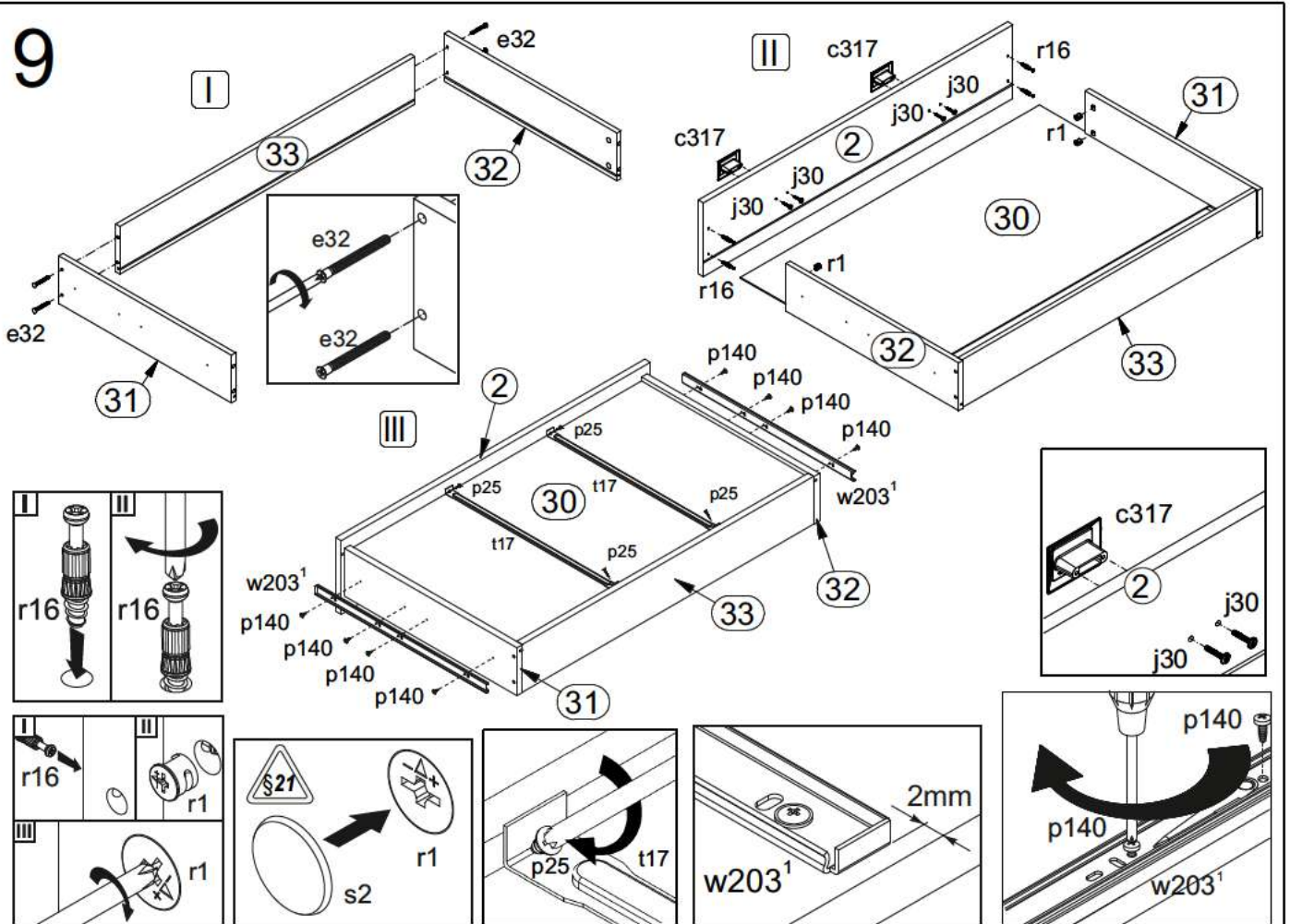




# 8



# 9



# 10

