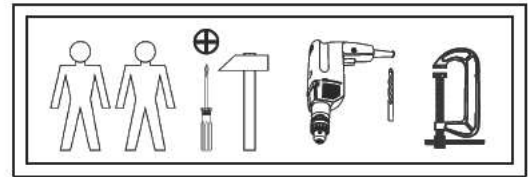
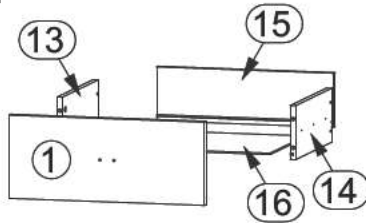
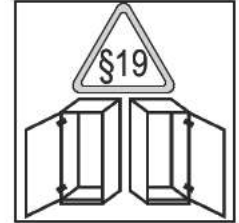
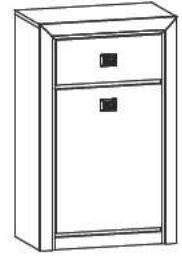
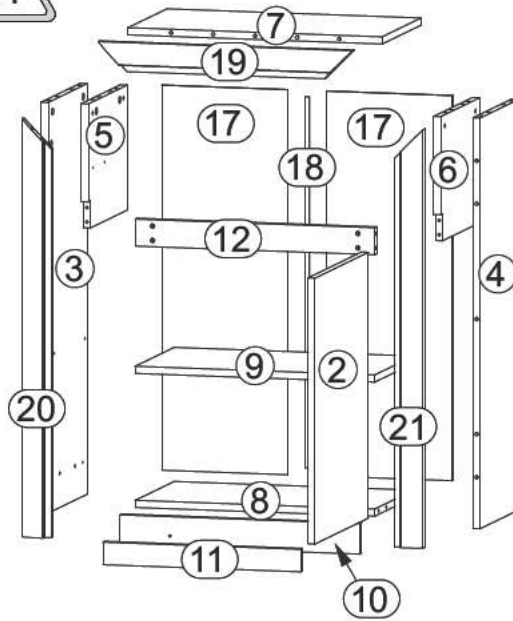
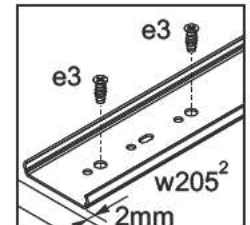
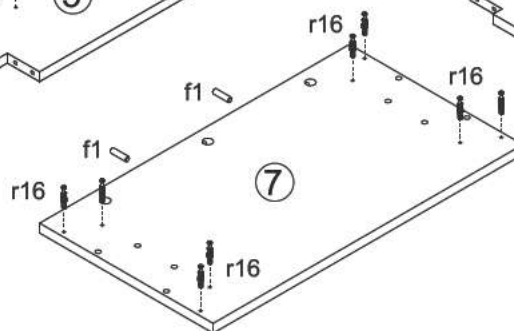
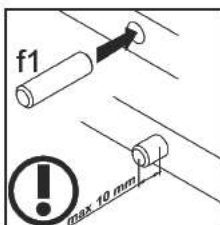
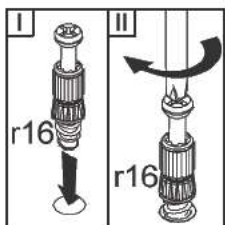
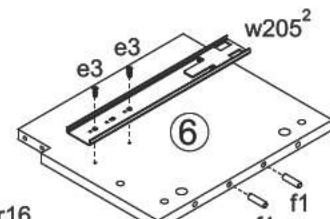
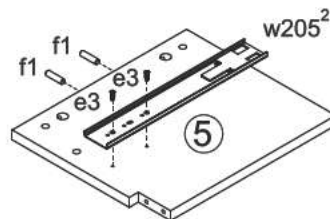


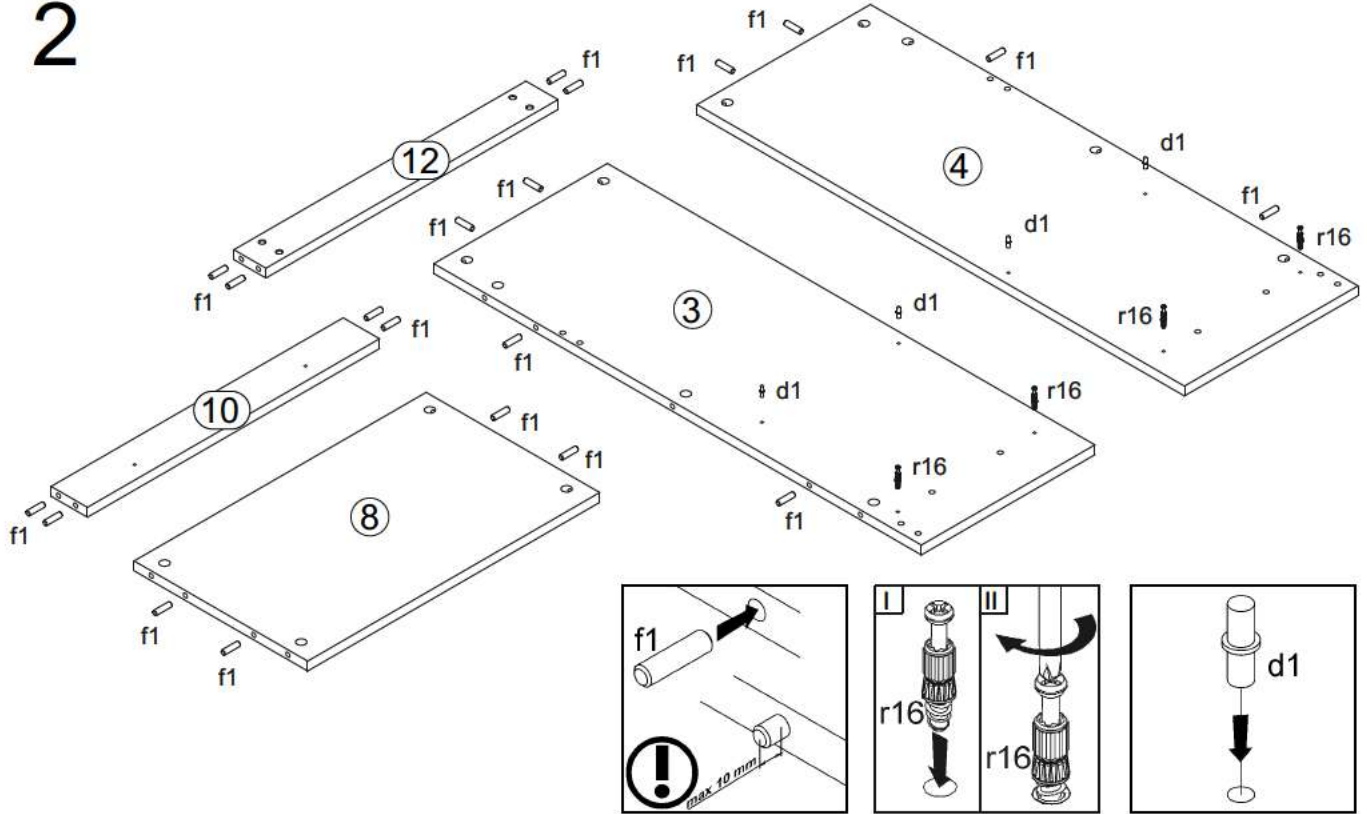
A	B	C	D	
1	S136 0046	446	185	3/3
2	S136 0040	591	446	3/3
3	S136 182	913	325	1/3
4	S136 183	913	325	1/3
5	S136 1120	278	325	1/3
6	S136 1121	278	325	1/3
7	S136 227	580	325	1/3
8	S136 343	547	325	1/3
9	S136 345	547	325	1/3
10	S136 404	547	68	1/3
11	S136 406	451	50	1/3
12	S136 452	547	60	1/3
13	S136 5517	300	120	1/3
14	S136 5518	300	120	1/3
15	S136 5513	395	120	1/3
16	S136 942	410	299	1/3
17	S136 929	856	286	1/3
18	LH 828	828	14	1/3
19	S136 576	581	65	2/3
20	S136 558	930	65	2/3
21	S136 559	930	65	2/3



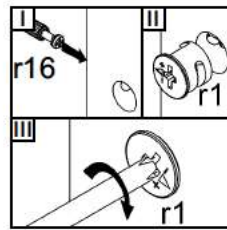
2x a99	2x b43	2x c317	4x $\phi 5 \times 17$ mm d1	4x $\phi 7 \times 50$ mm e1	4x $\phi 6.3 \times 13$ mm e2	4x $\phi 6 \times 13$ mm e3
4x $\phi 5 \times 50$ mm e32	28x $\phi 8 \times 30$ mm f1	4x M4x22 mm j30	4x k1	35x l1	1x n26 ¹	1x $\phi 3.5 \times 16$ mm p38
4x $\phi 3.5 \times 15$ mm p51	6x $\phi 3.5 \times 12$ mm p140	2x $\phi 4 \times 28$ mm p94	29x $\phi 15 \times 12$ mm #16 r1	2x r10	25x 20/9 r16	12x $\phi 16$ s2
2x 300 mm w205 ¹	2x 300 mm w205 ²	1x z1				



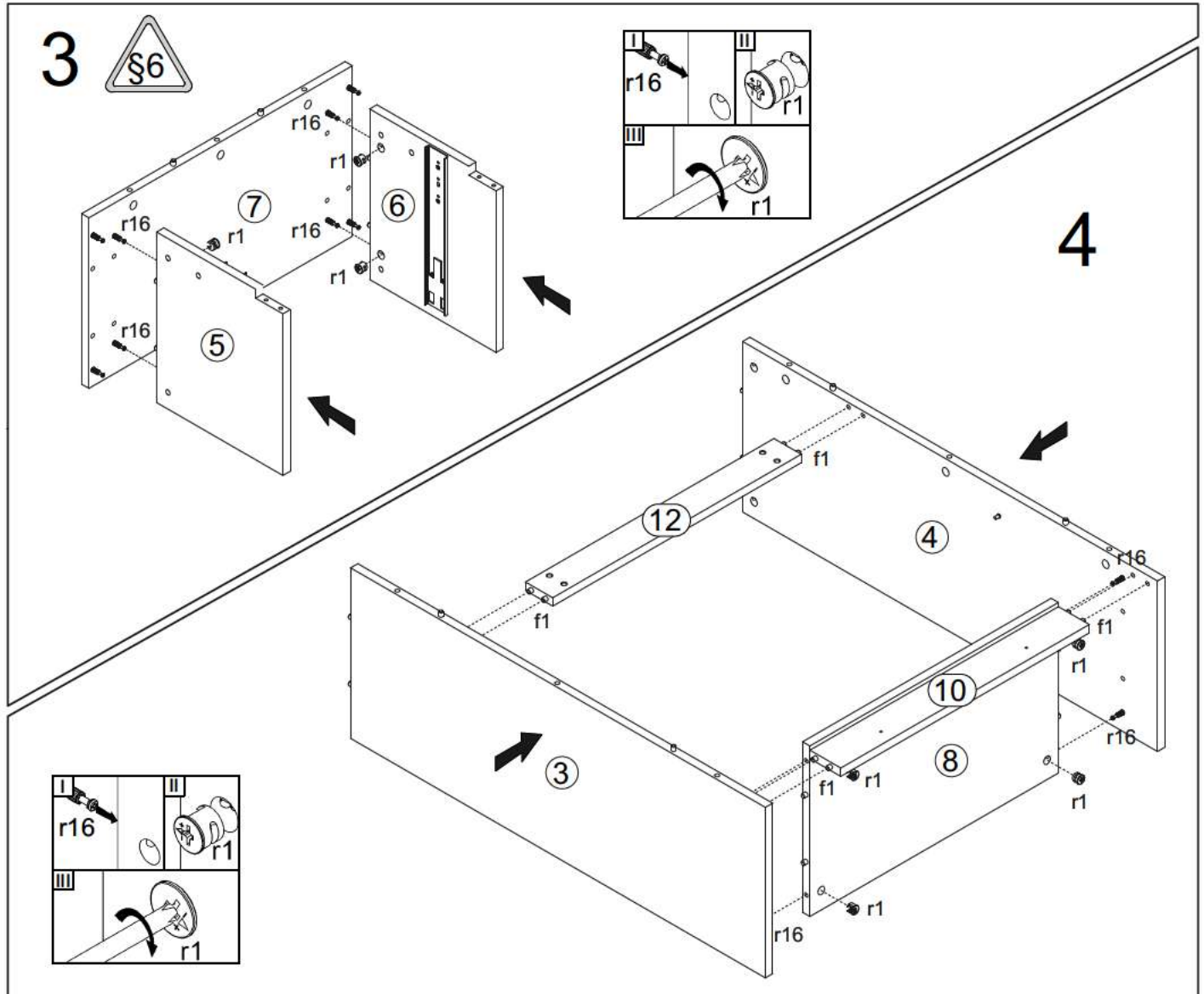
2

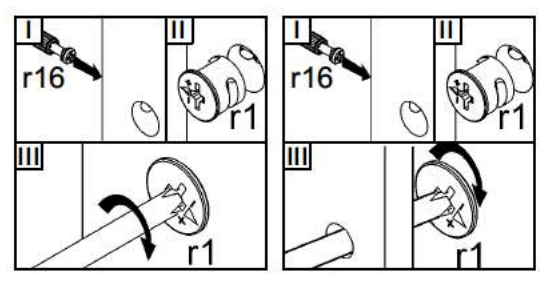
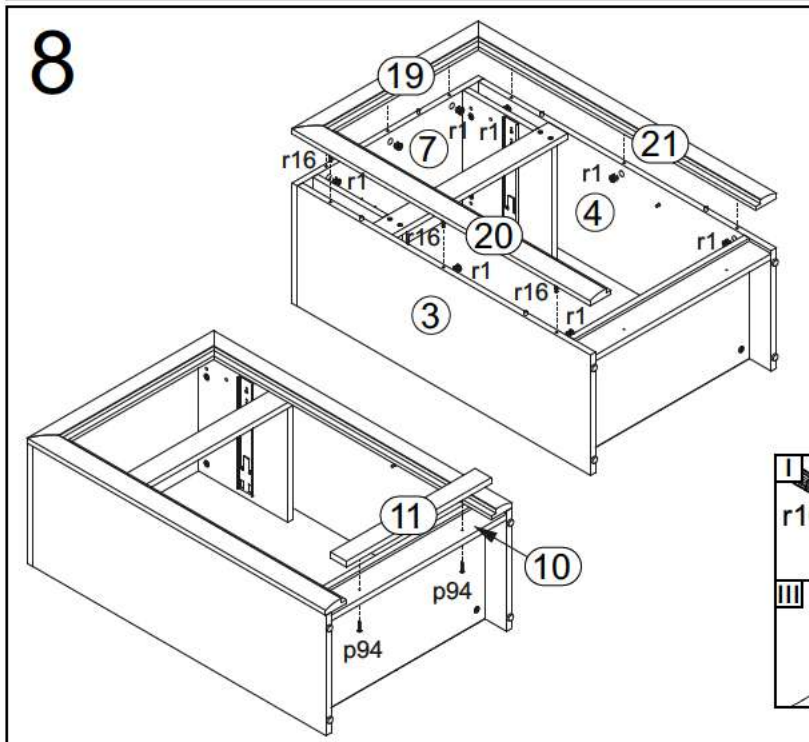
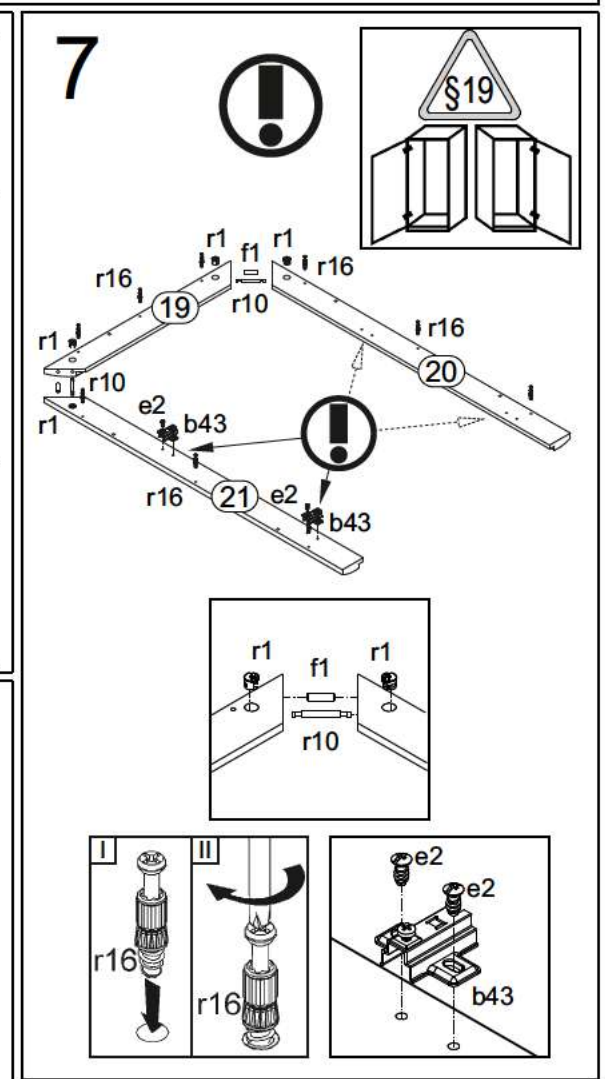
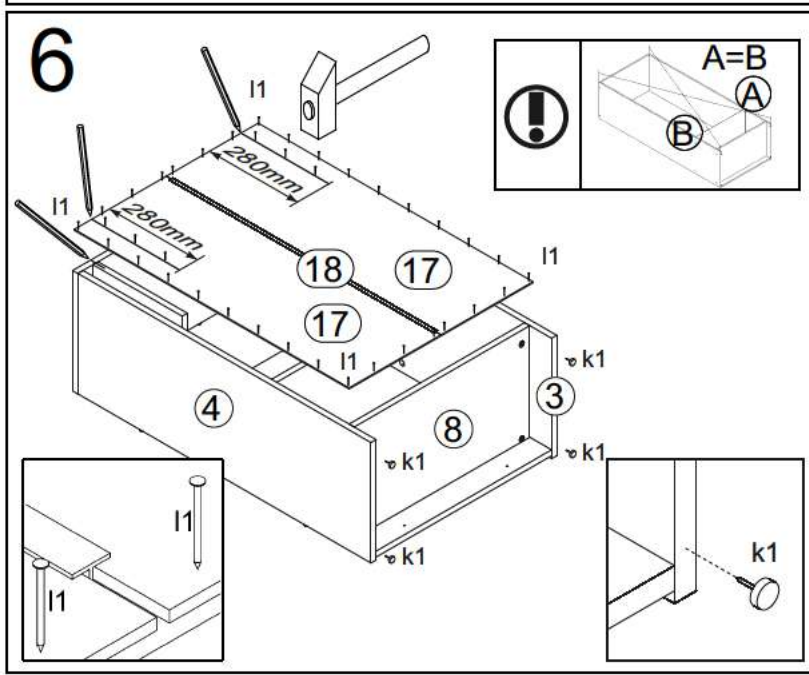
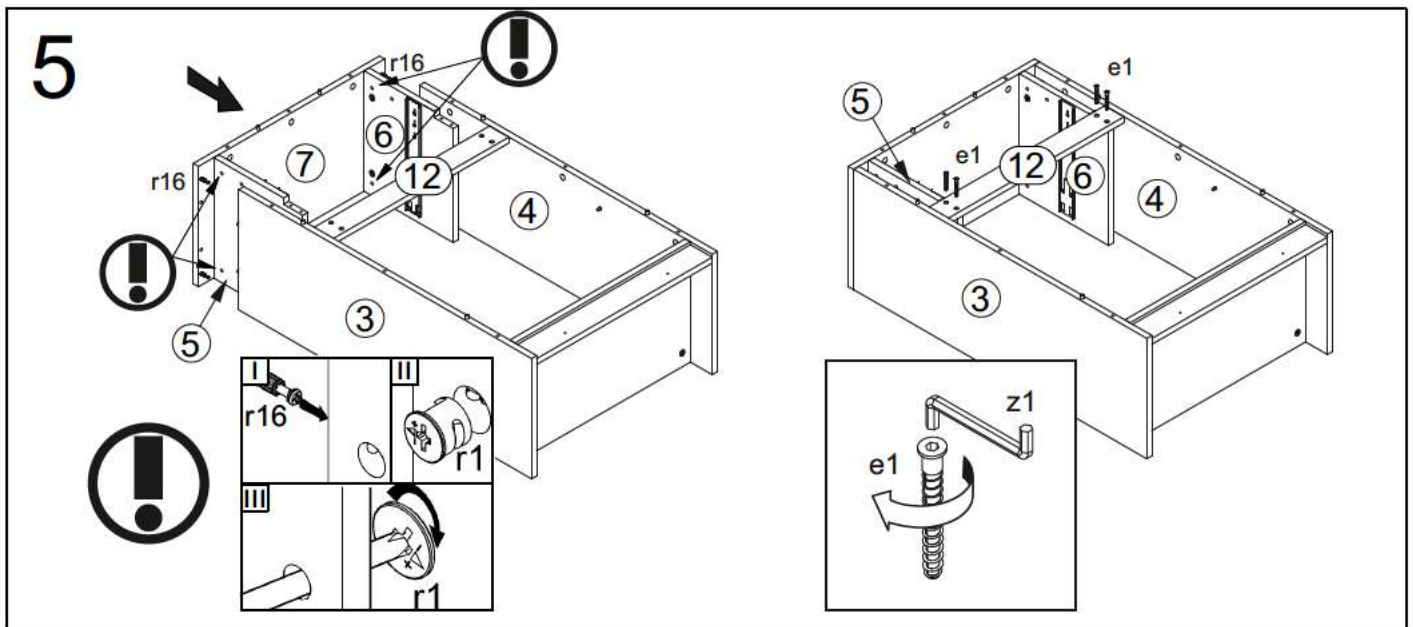


3

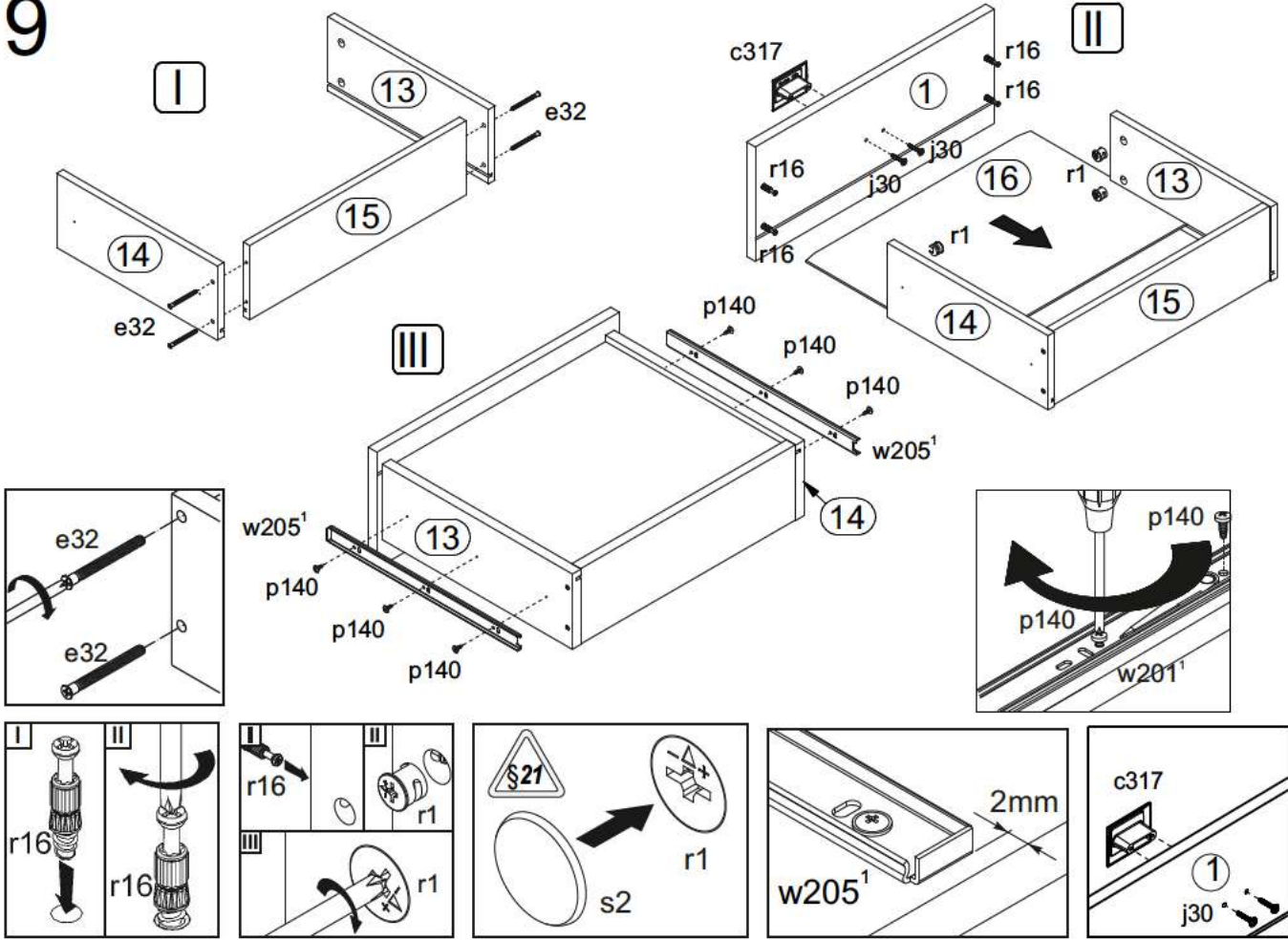


4





9



10

