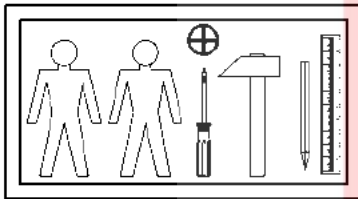
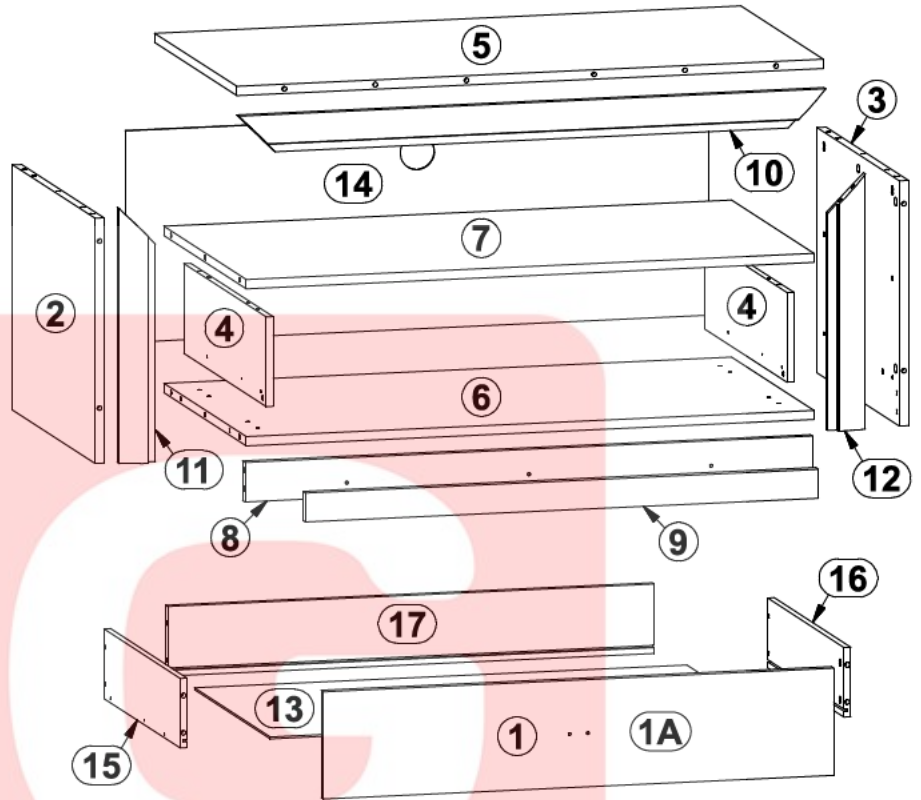
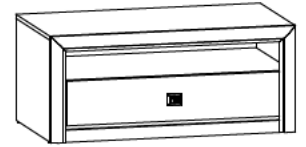


КОЕН

Тумба РТВ RTV1S

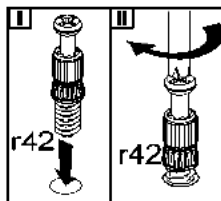
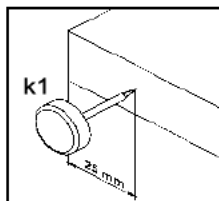
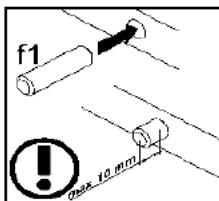
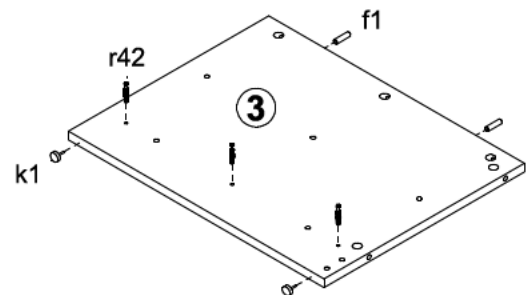
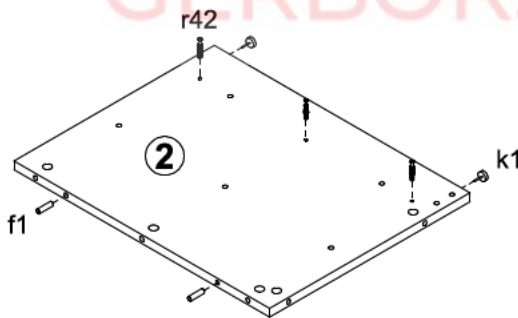
A	B	C	D	
1	S136-002	896	185	3/3
1A	S136-002A	896	185	3/3
2	S136-131	423	540	1/3
3	S136-132	423	540	1/3
4	S136-133	155	540	1/3
5	S136-208	1030	540	1/3
6	S136-308	997	540	1/3
7	S136-318	997	540	1/3
8	S136-401	997	68	1/3
9	S136-403	901	50	1/3
10	S136-573	1031	65	2/3
11	S136-587	440	65	2/3
12	S136-588	440	65	2/3
13	S136-915	865	498	1/3
14	S136-916	365	1024	1/3
15	ZS2-509	500	120	1/3
16	ZS2-510	500	120	1/3
17	ZS2-5556	854	120	1/3

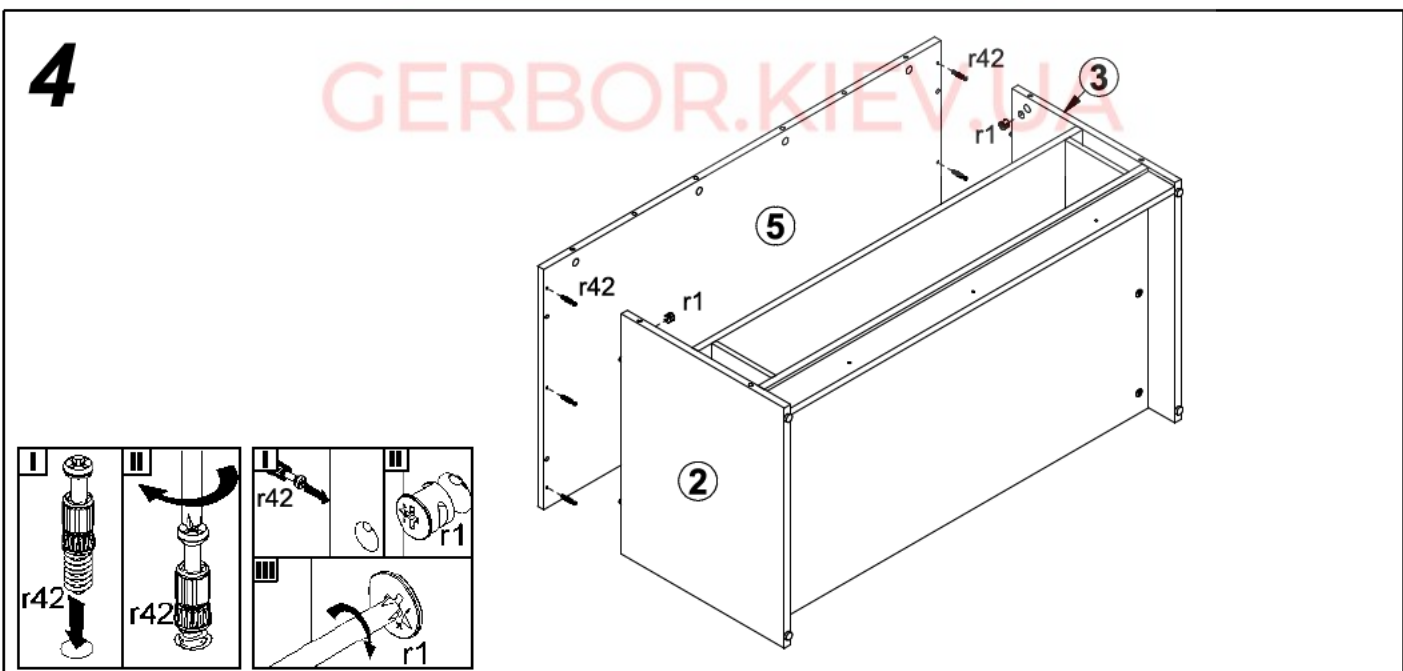
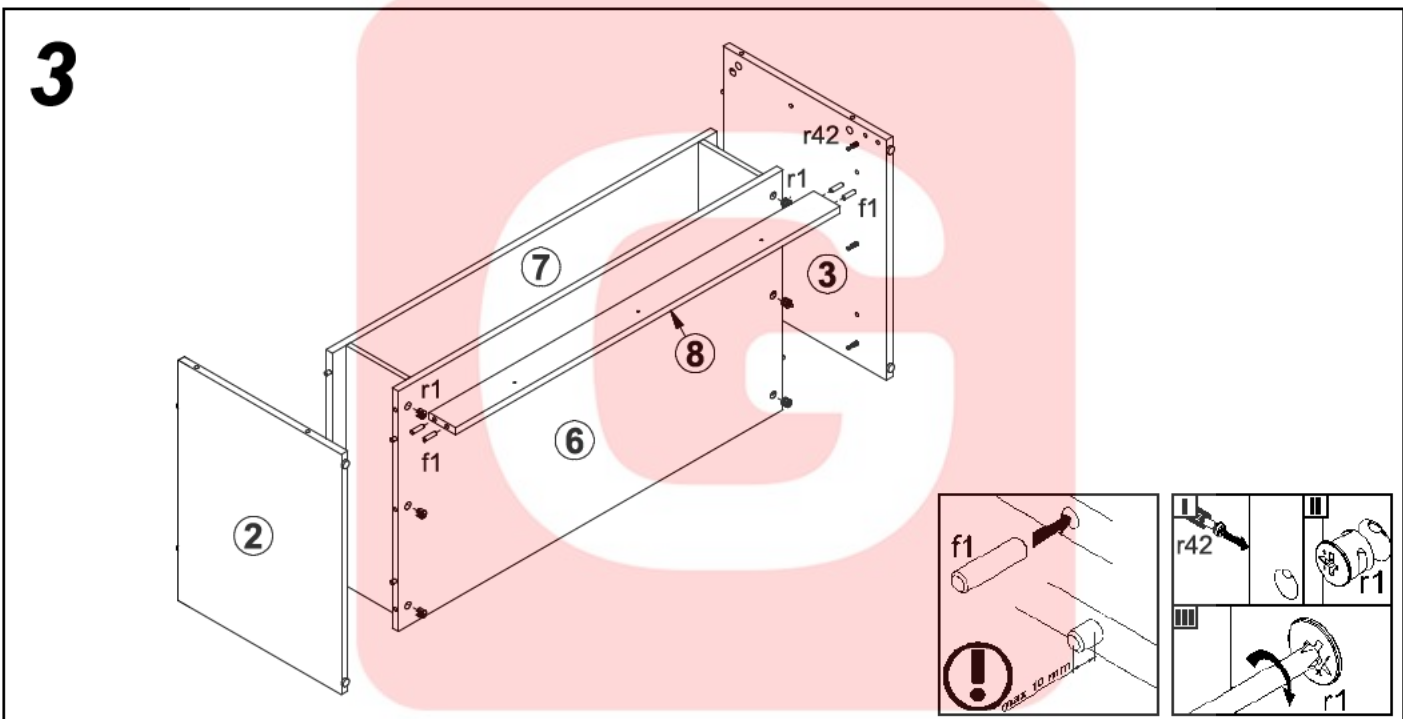
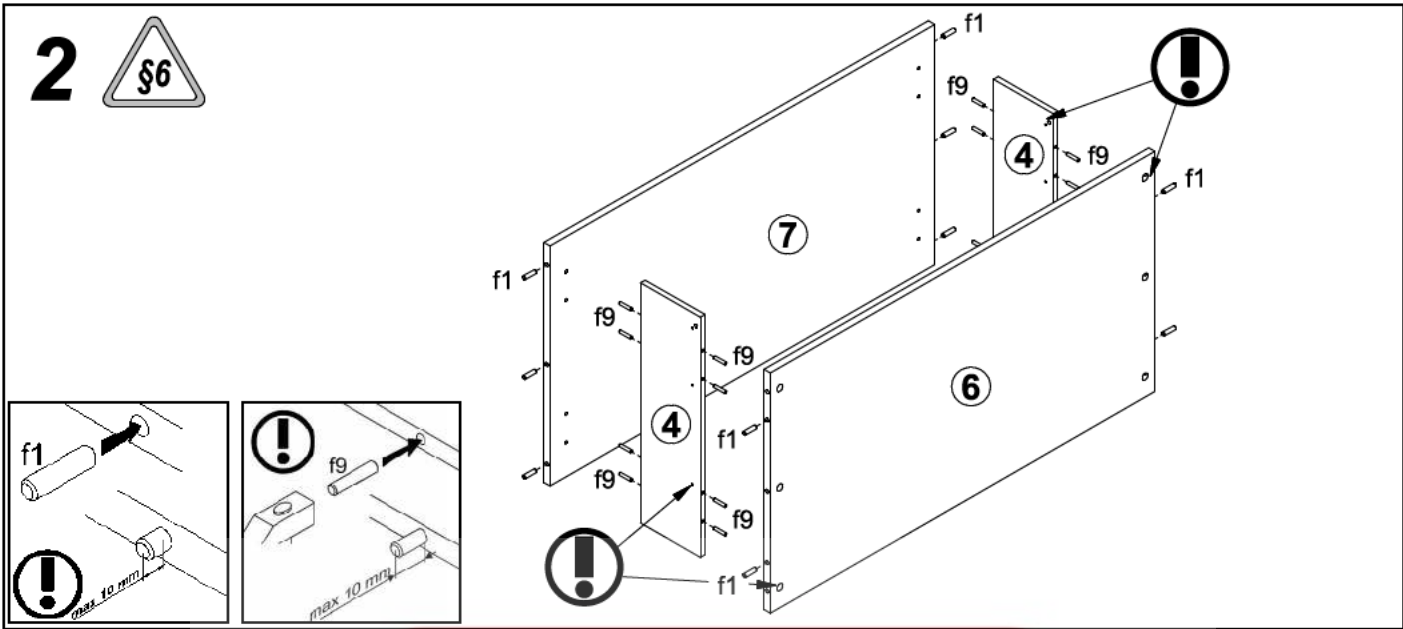
→ Фасад ДСП
→ Фасад МДФ



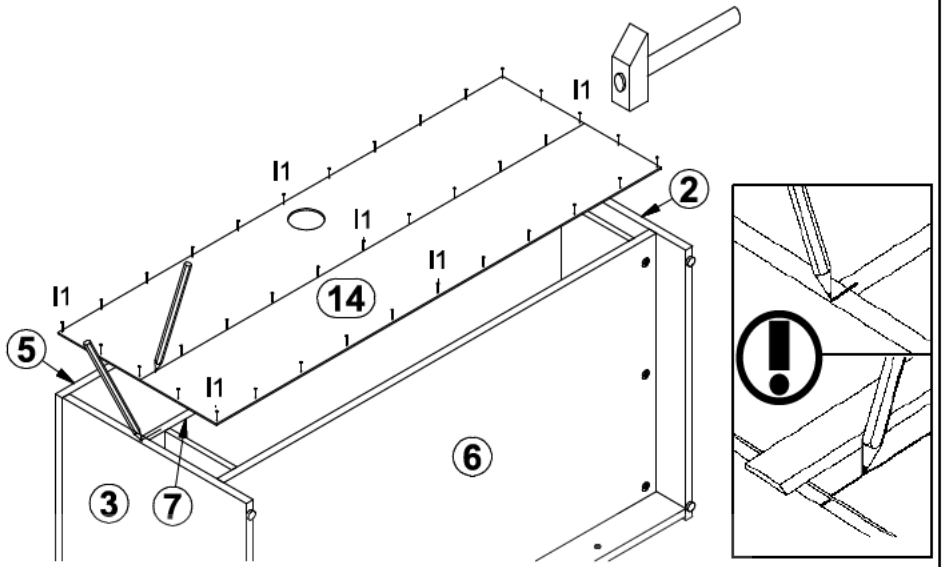
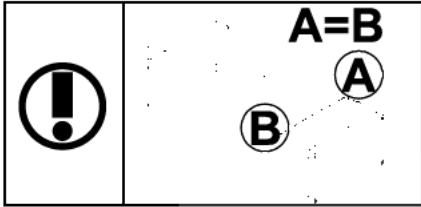
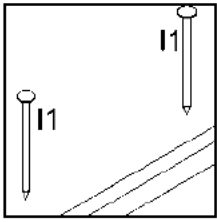
1x c317	6x p54	6x e3	22x f1	4x e32	16x f9	2x j30	4x k1	40x l1
2x p25	3x p94	24x r1	2x r10	4x r15	24x r42	6x s2	1x t17	1x w26\CL
1x w26\CR	1x w26\DL	1x w26\DR						

1

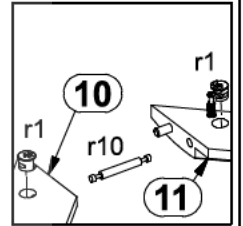
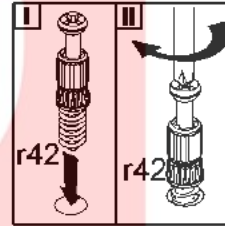
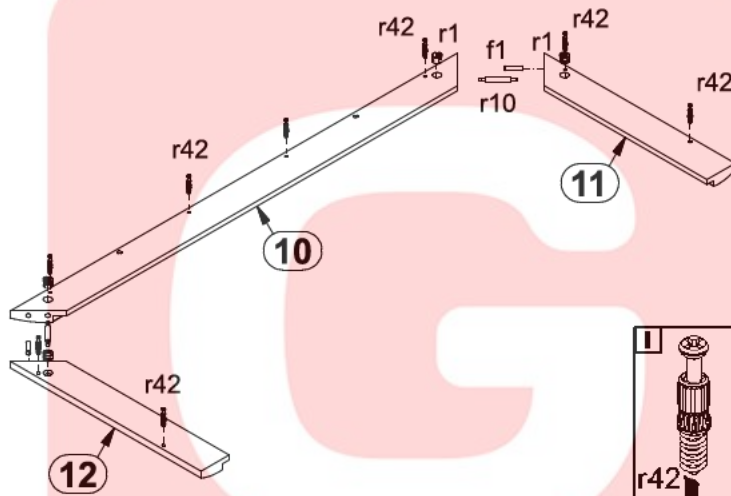
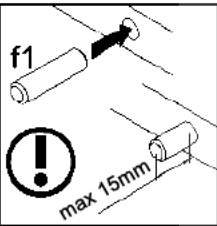




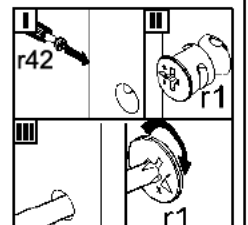
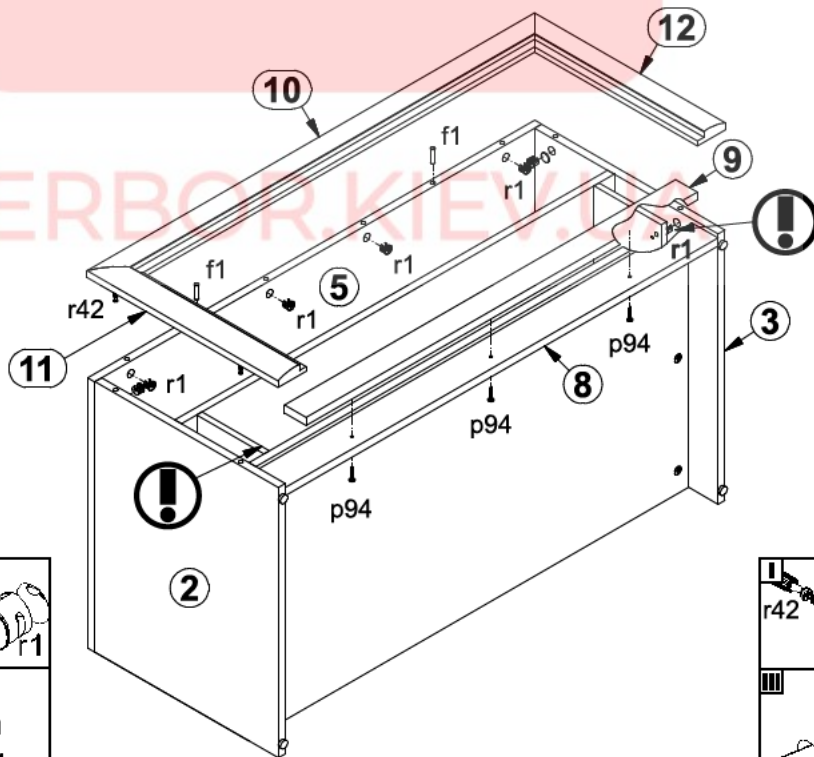
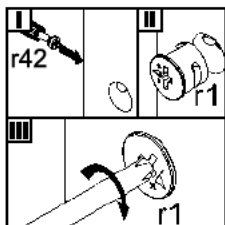
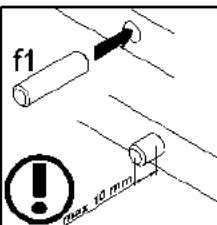
5



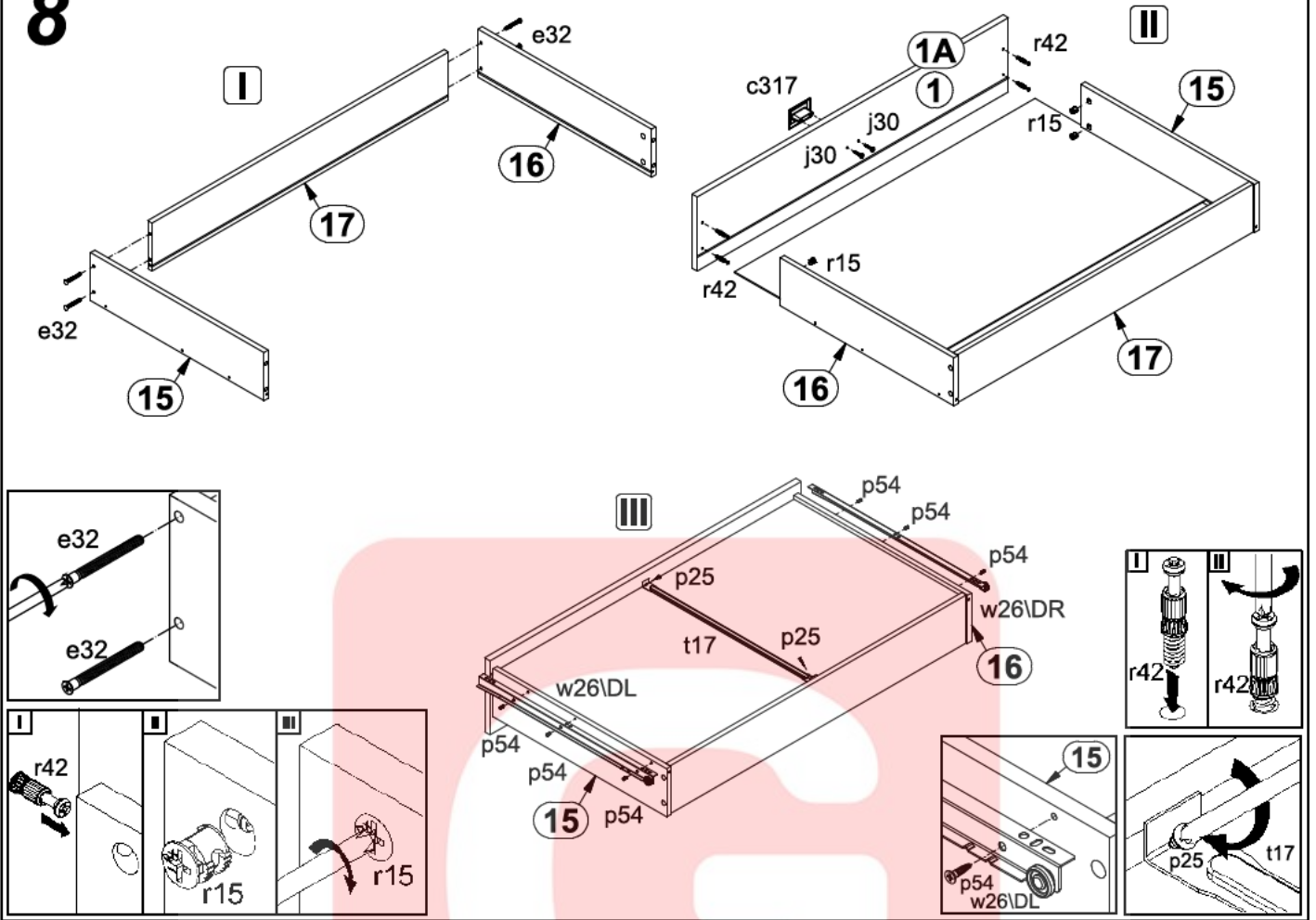
6



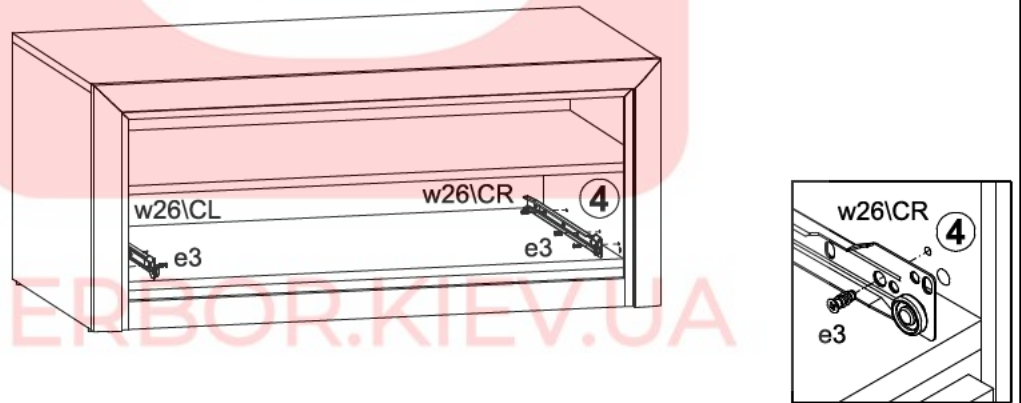
7



8



9



10

