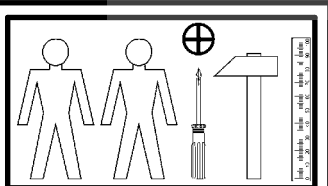
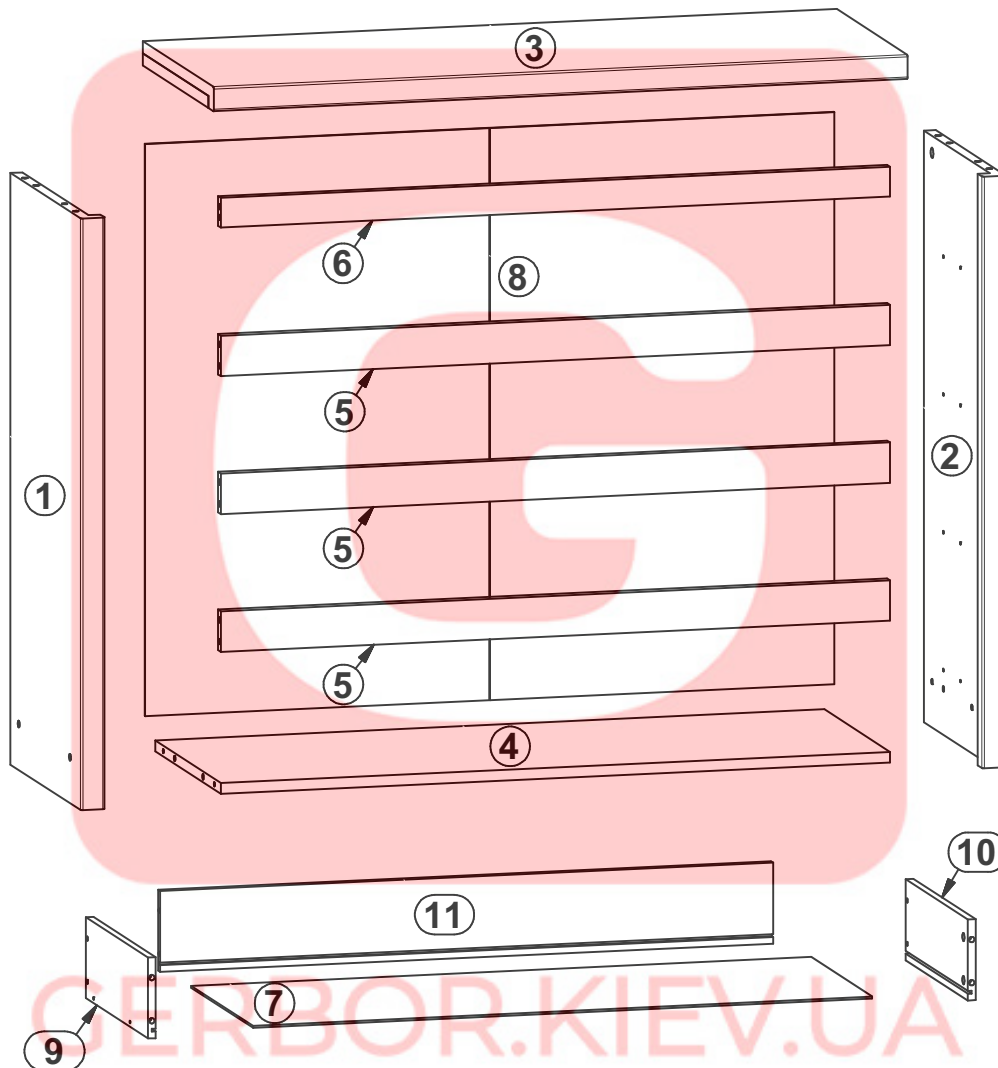
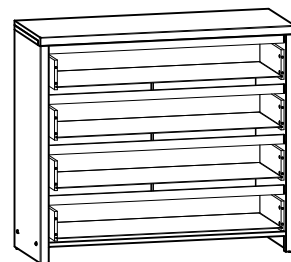


KRISTINA

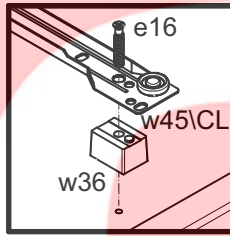
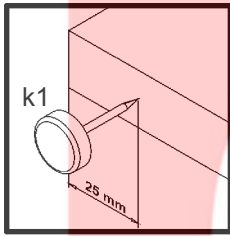
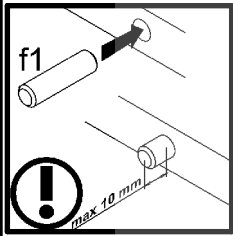
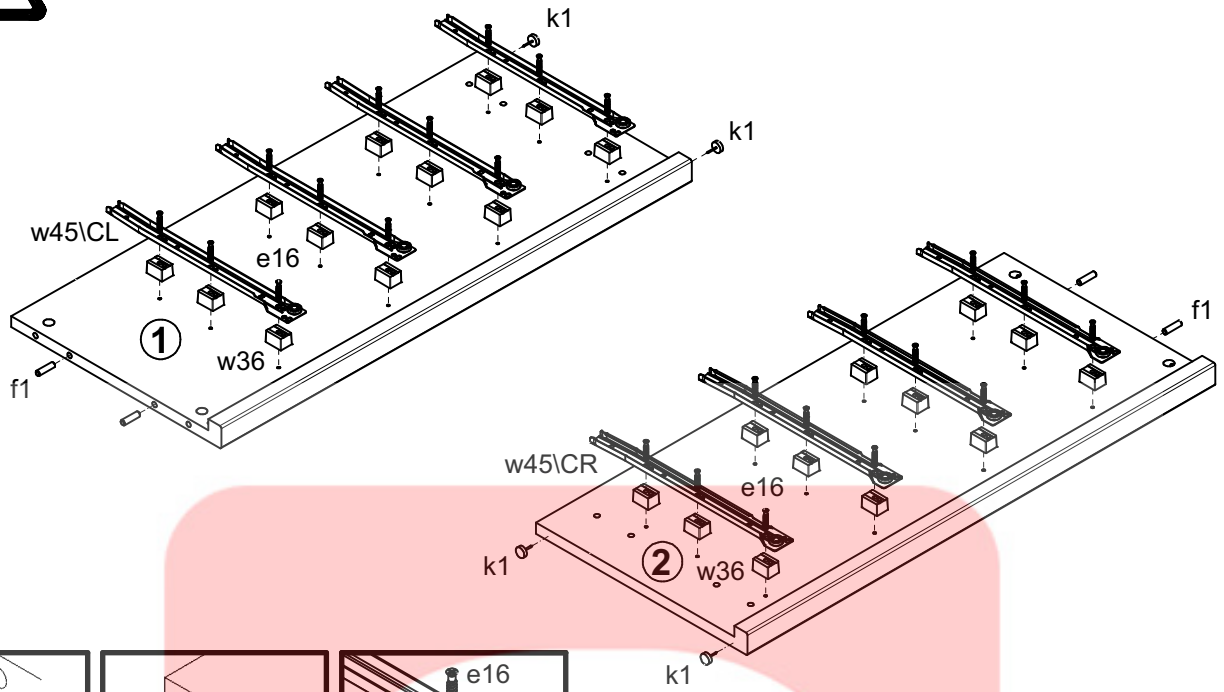
KOM4S

A	B	C	D	
1	S128-101	876	396	1/2
2	S128-102	876	396	1/2
3	S128-201	1046	399	1/2
4	S128-301	1009	370	1/2
5	S128-402	1009	60	1/2
6	S128-403	1009	44	1/2
7	S128-9906	926	348	1/2
8	S128-907	847	1039	1/2
9	BP-503	350	120	1/2
10	BP-503	350	120	1/2
11	ZP-5504	916	120	1/2

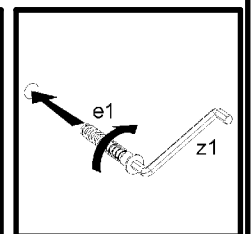
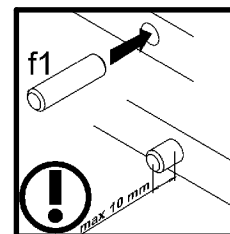
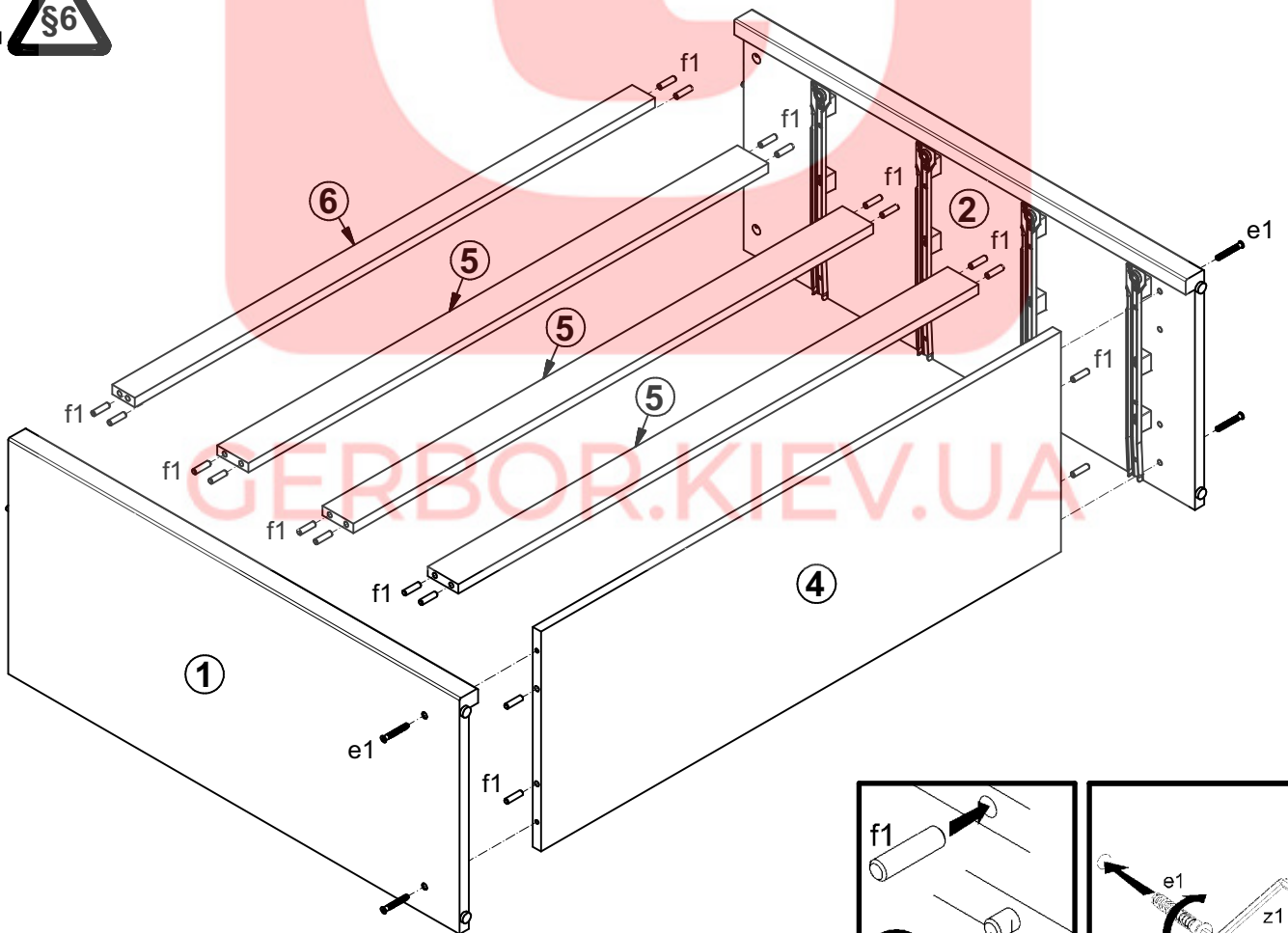


4x φ7x50 mm e1	24x φ6x30 mm e16	16x φ5x9 mm e19	24x φ8x30 mm f1	16x φ6,5x40 mm f25	4x k1	40x l1	8x φ3,5x16 mm p25	20x φ1,5x12mm #16 r1
20x r42	4x s1	4x 333 mm t19	24x h=18 mm w36	4x 350 mm w45\CL	4x 350 mm w45\CR	4x 350 mm w45\DL	4x 350 mm w45\DR	
1x n26\1	1x φ3,5x16 mm p38	1x z1						

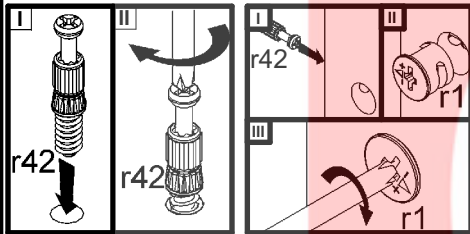
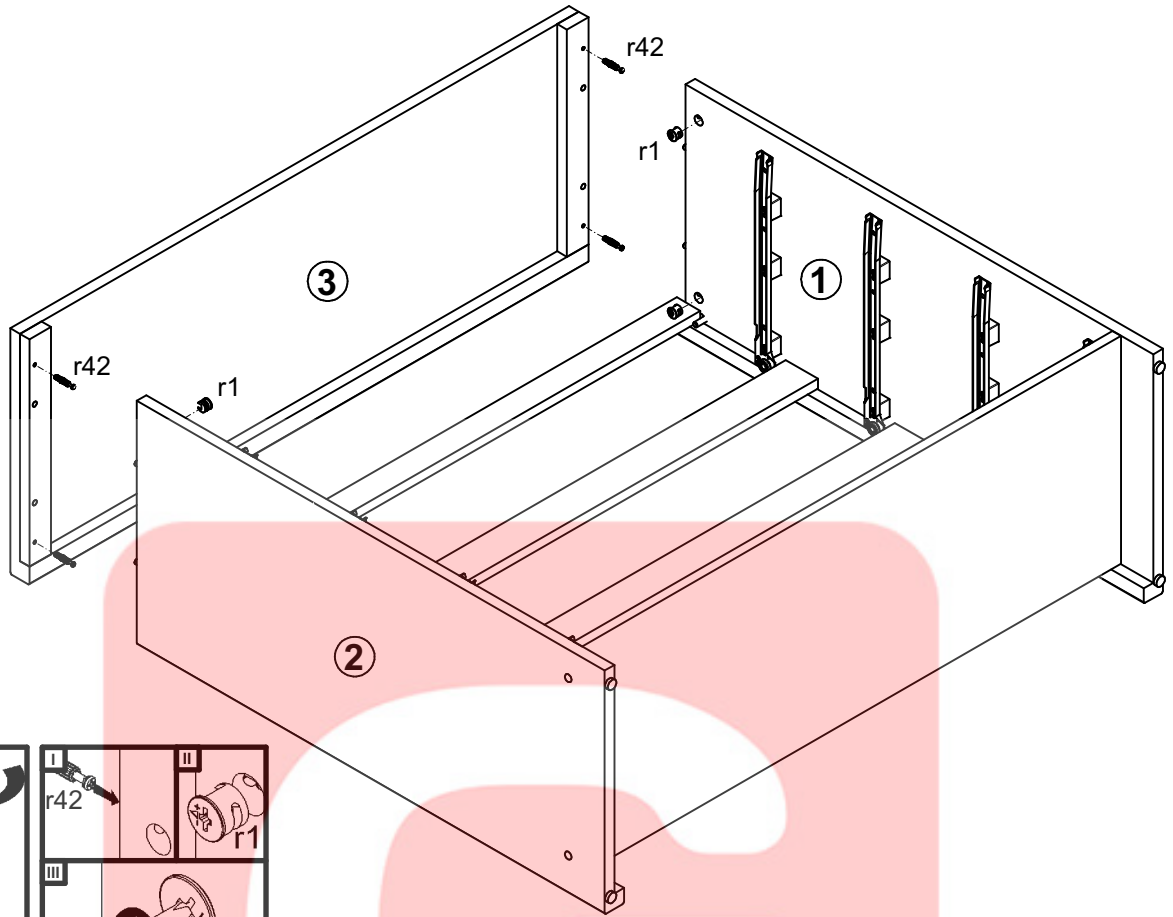
1



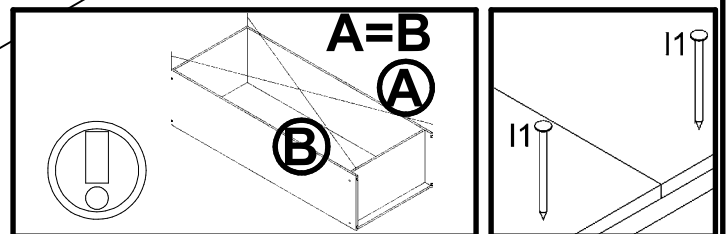
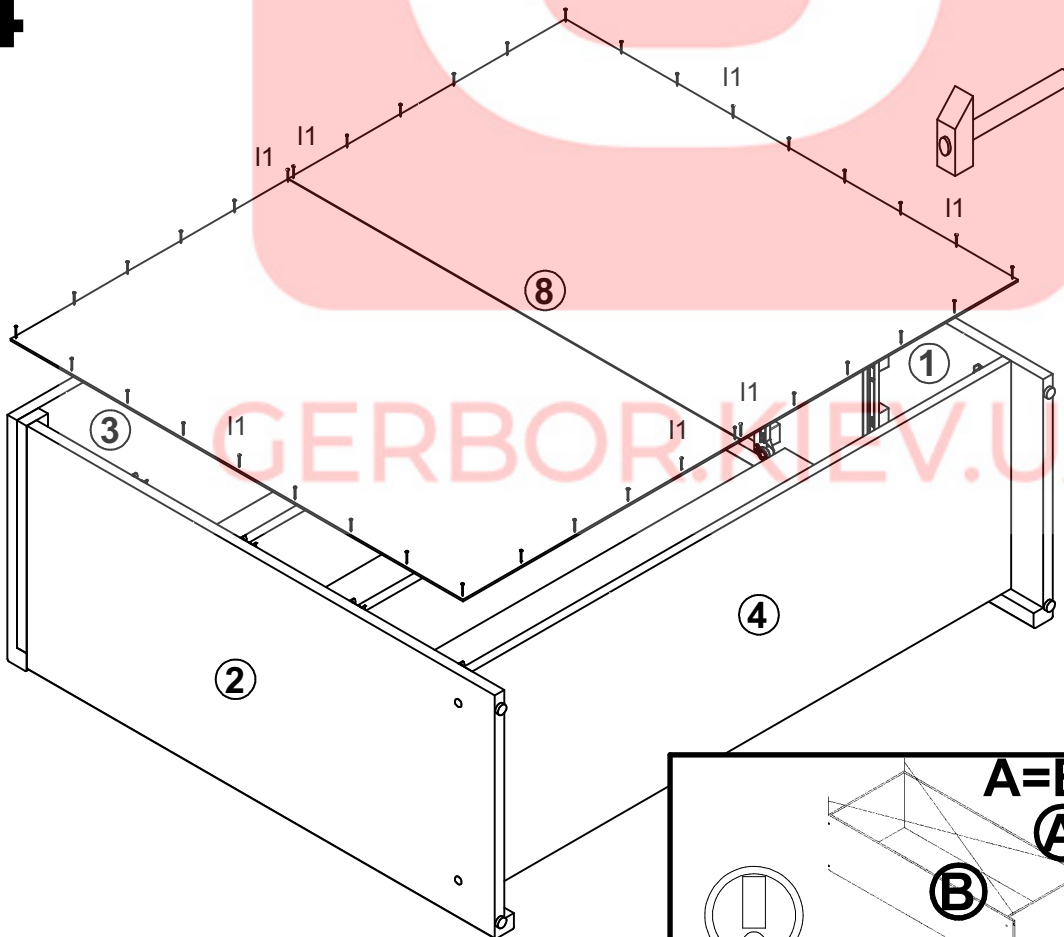
2

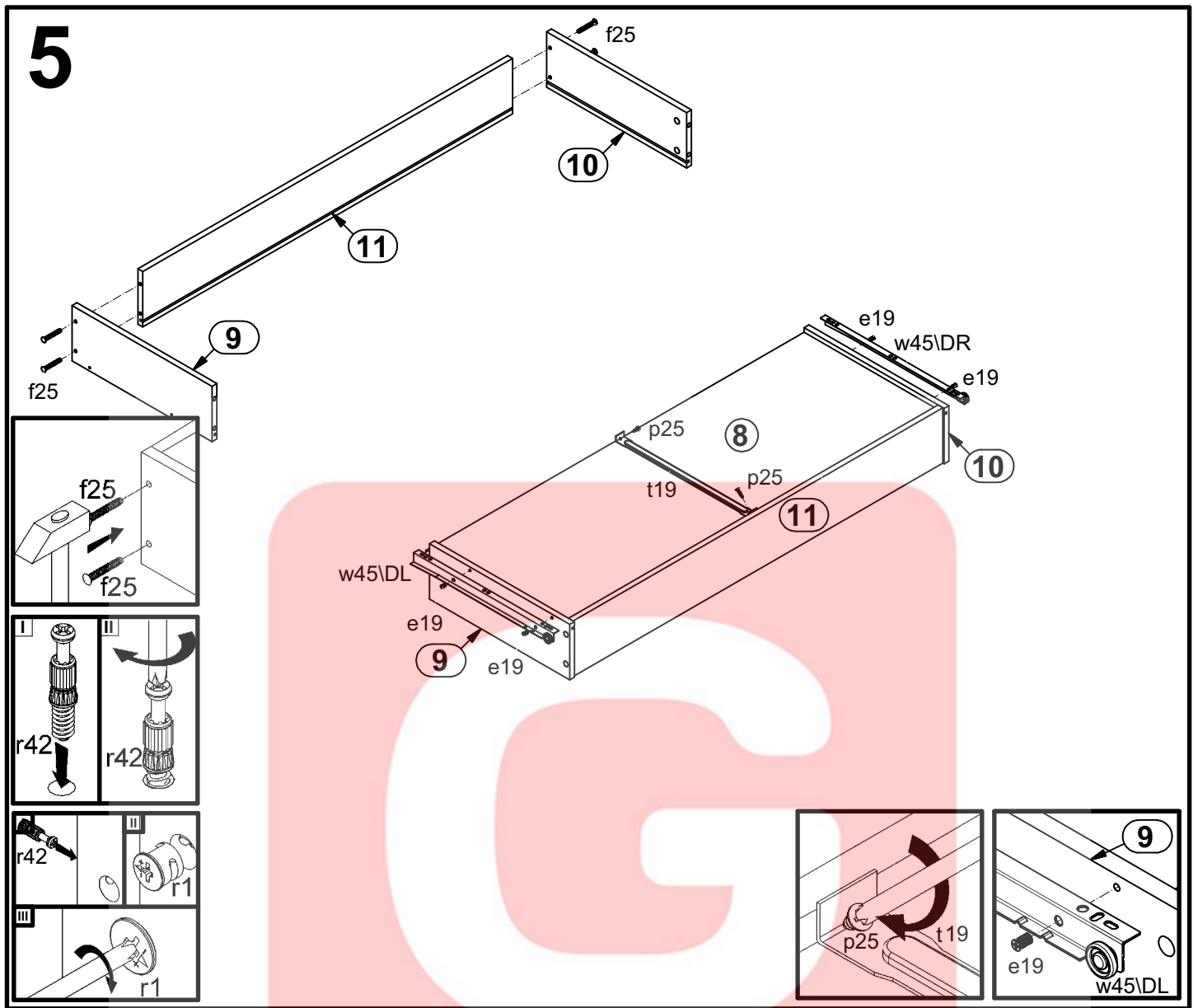


3



4





GERBOR.KIEV.UA