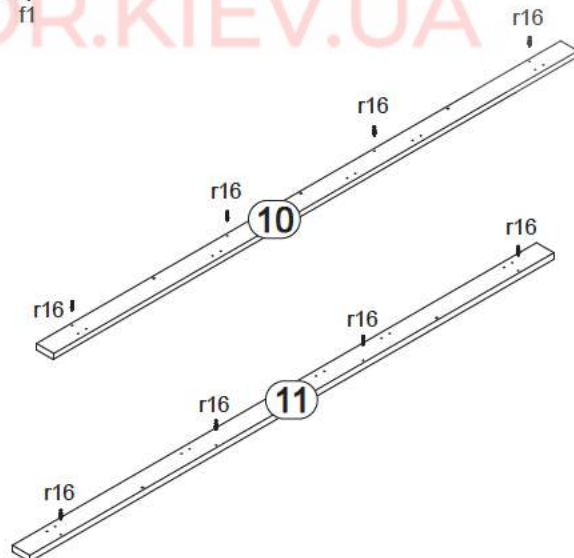
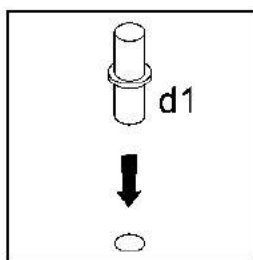
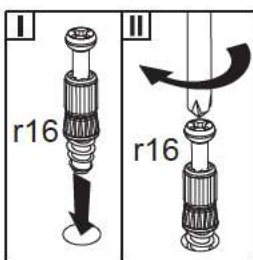
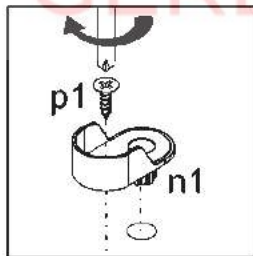
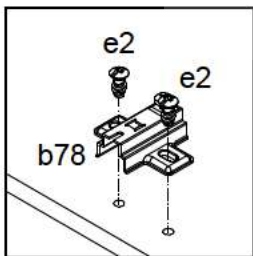
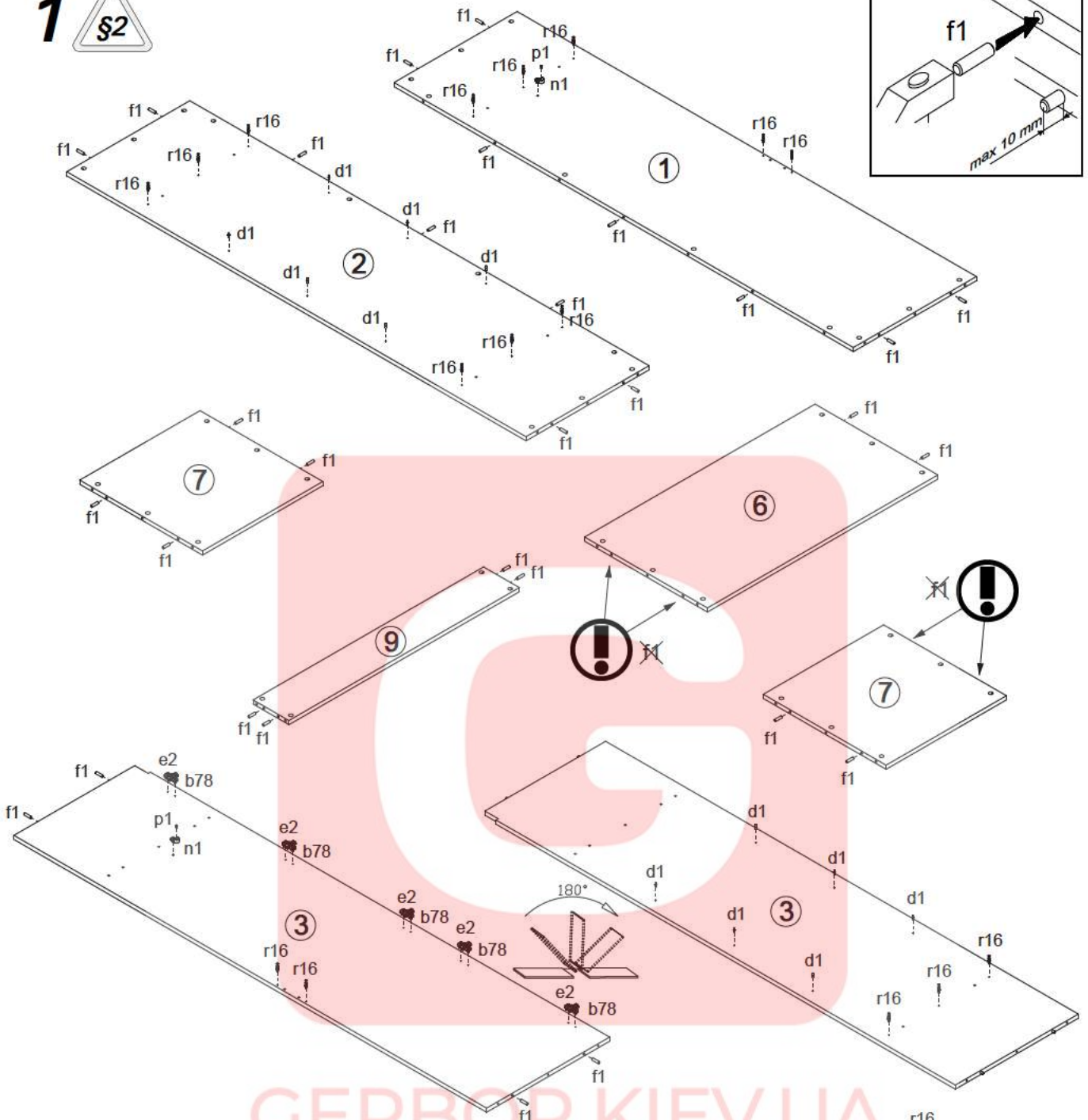
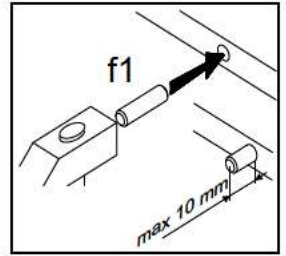


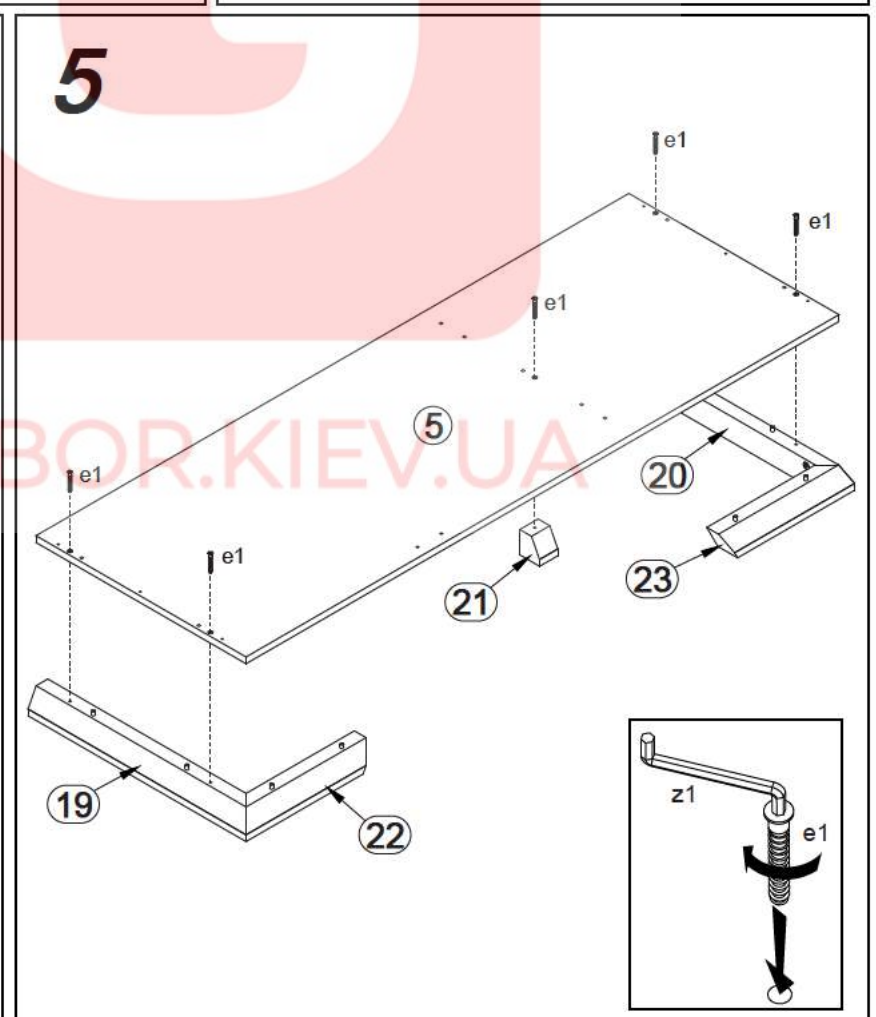
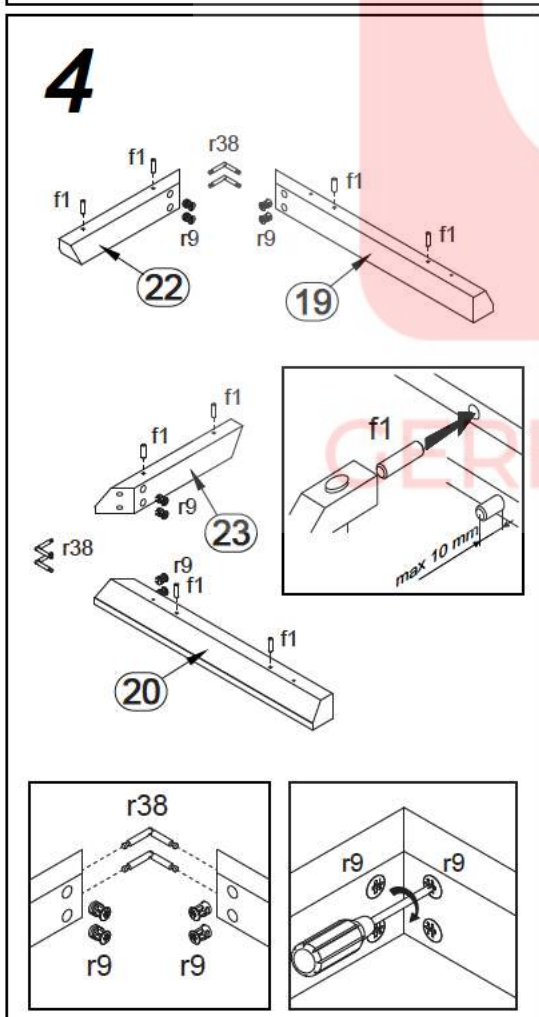
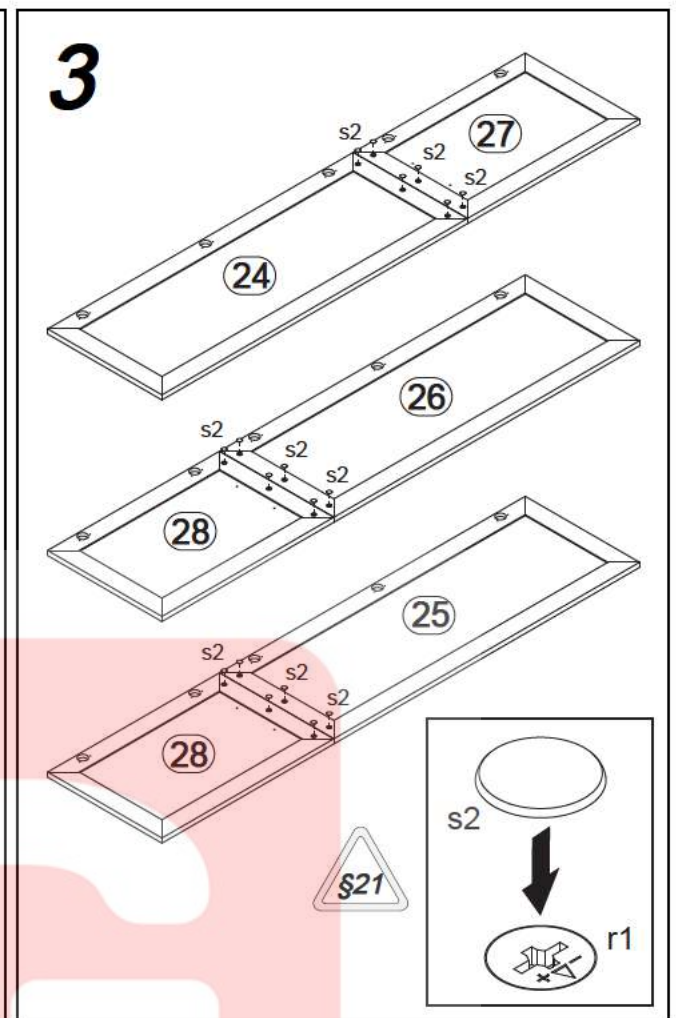
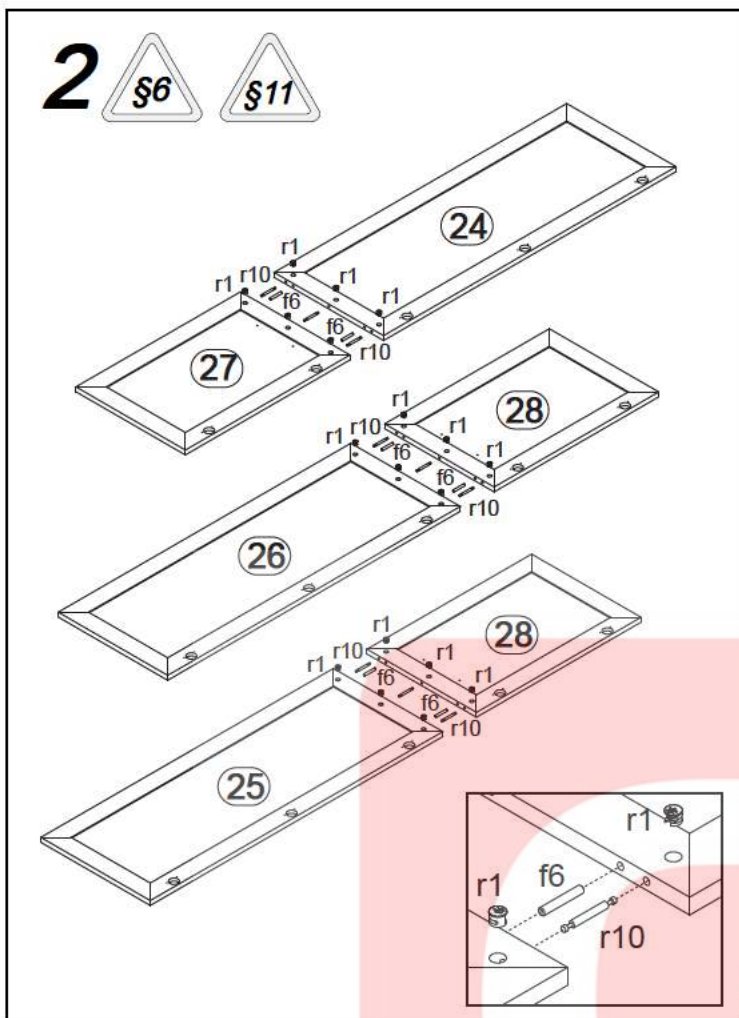
| A | B | C | D | A | B | C | D | A | B | C | D | | | |
|----|----------|------|-----|-----|----|----------|-------|-----|-----|----|---------|------|-----|-----|
| 1 | MS1-122 | 2053 | 550 | 1/7 | 11 | MS1-5540 | 2053 | 68 | 1/7 | 21 | MS1-549 | 50 | 60 | 7/7 |
| 2 | MS1-123 | 2053 | 550 | 1/7 | 12 | LH-2112 | 2112 | 14 | 1/7 | 22 | MS1-506 | 350 | 60 | 7/7 |
| 3 | MS1-124 | 2113 | 550 | 2/7 | 13 | MS1-913 | 2140 | 525 | 2/7 | 23 | MS1-507 | 350 | 60 | 7/7 |
| 4 | MS1-213 | 1665 | 596 | 3/7 | 14 | MS1-914 | 2140 | 558 | 2/7 | 24 | MS1-013 | 1310 | 490 | 5/7 |
| 5 | MS1-214 | 1620 | 574 | 3/7 | 15 | DR-1025 | 1025 | | 2/7 | 25 | MS1-014 | 1310 | 490 | 5/7 |
| 6 | MS1-310 | 1030 | 549 | 2/7 | 16 | MS1-5536 | 595 | 60 | 7/7 | 26 | MS1-015 | 1310 | 490 | 5/7 |
| 7 | MS1-311 | 538 | 549 | 4/7 | 17 | MS1-5538 | 1664 | 60 | 7/7 | 27 | MS1-011 | 737 | 490 | 6/7 |
| 8 | MS1-312 | 538 | 524 | 4/7 | 18 | MS1-5537 | 595 | 60 | 7/7 | 28 | MS1-012 | 737 | 490 | 6/7 |
| 9 | MS1-407 | 1030 | 160 | 1/7 | 19 | MS1-5541 | 595,5 | 60 | 7/7 | | | | | |
| 10 | MS1-5539 | 2053 | 68 | 1/7 | 20 | MS1-5542 | 595,5 | 60 | 7/7 | | | | | |



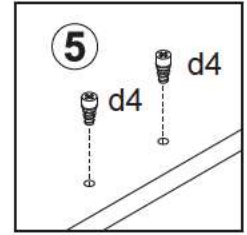
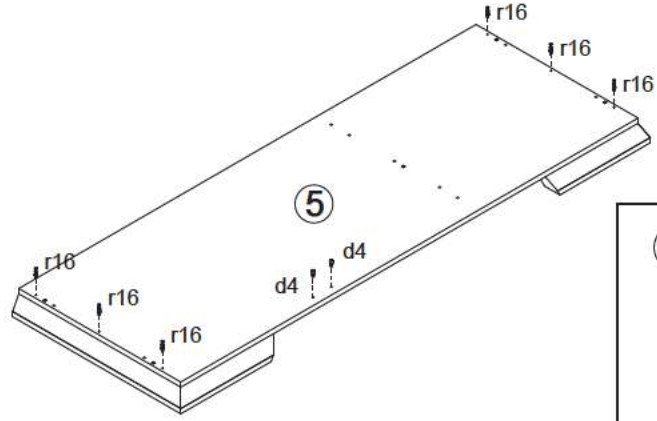
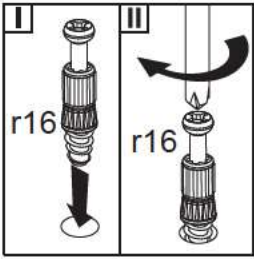
| | | | | | | | | |
|--------------------------|-------------------------------|-------------------------------|---------------------------|----------------------------|----------------------------|------------------------|--------------------------|-------------------------|
| 10x a132 | 4x a133 | 5x a159 | 5x b78 | 10x b43 | 3x c801 | 12x φ5x17 mm d1 | 2x φ6,3x15 mm d4 | 21x φ7x50 mm e1 |
| 30x φ6,3x13 mm e2 | 41x φ8x30 mm f1 | 8x φ8x50 mm f6 | 7x k1 | 120x l1 | 2x n1 | 1x n26/1 | 10x 42x22 mm n900 | 2x φ3,5x13 mm p1 |
| 20x φ3,5x13 mm p5 | 1x φ3,5x16 mm p38 | 6x φ4x20 mm p39 | 30x φ3,5x15 mm p51 | 60x φ15x12mm #16 r1 | 16x φ15x19mm #28 r9 | 12x r10 | 36x 20/9 r16 | 8x 39/39 r38 |
| 42x φ16 s2 | 4x φ20 самоклейка s100 | 4x φ20 самоклейка s100 | 1x z1 | | | | | |

1 §2

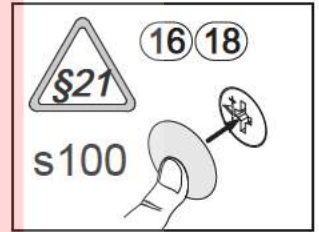
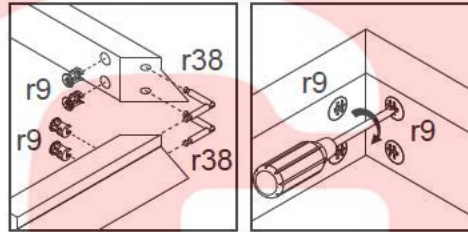
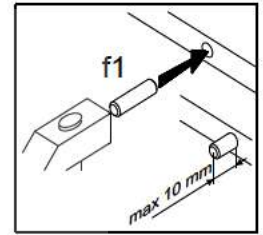
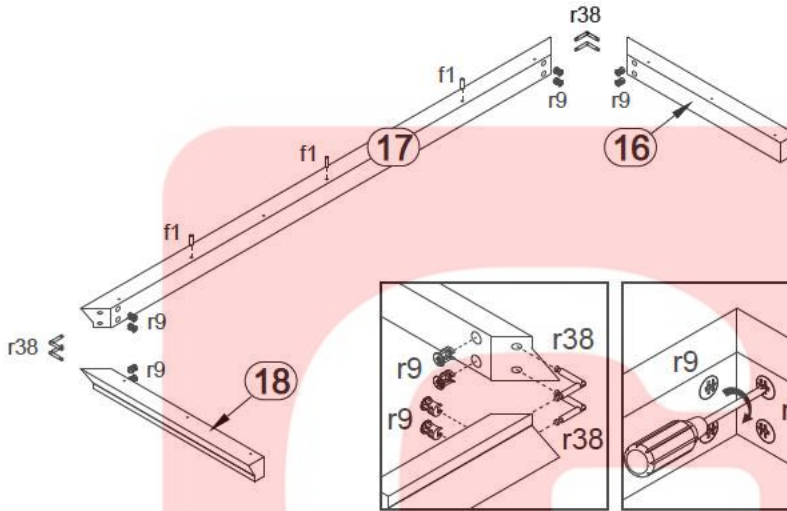




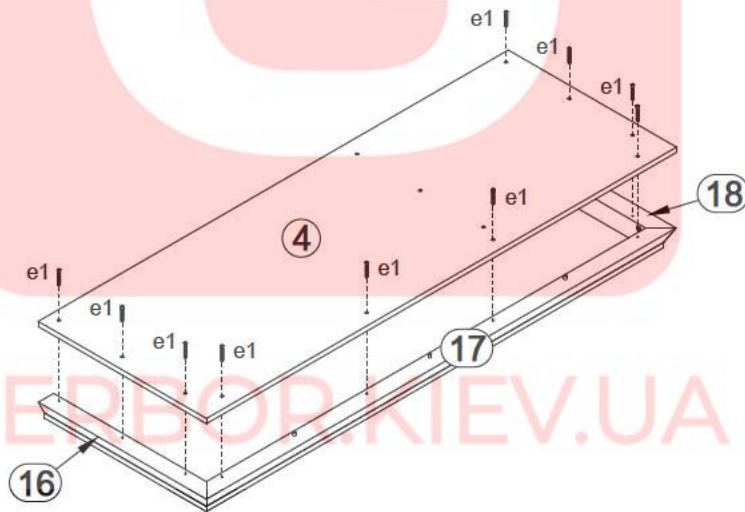
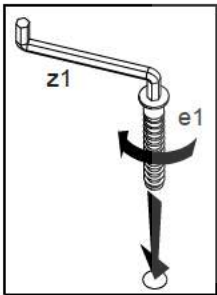
6



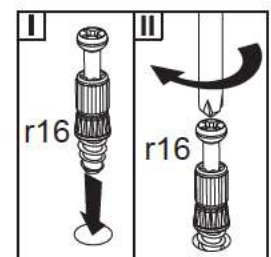
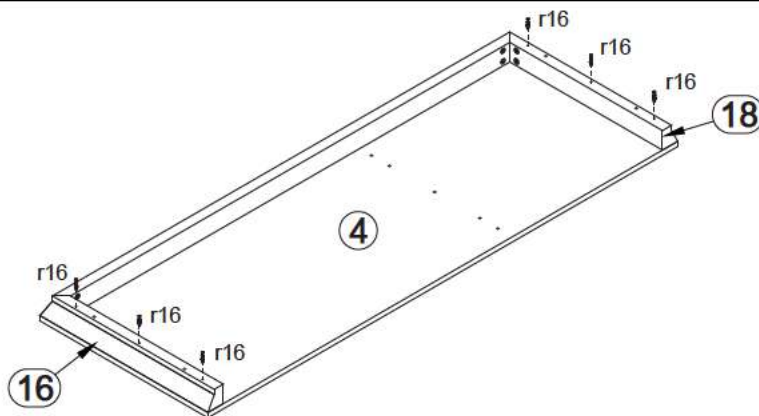
7



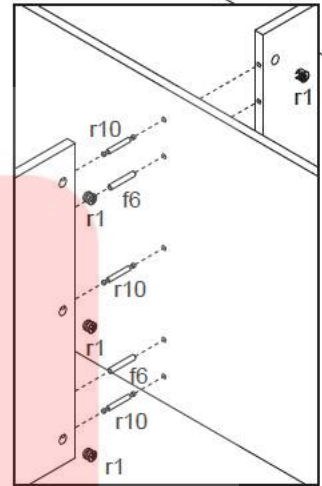
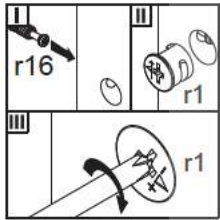
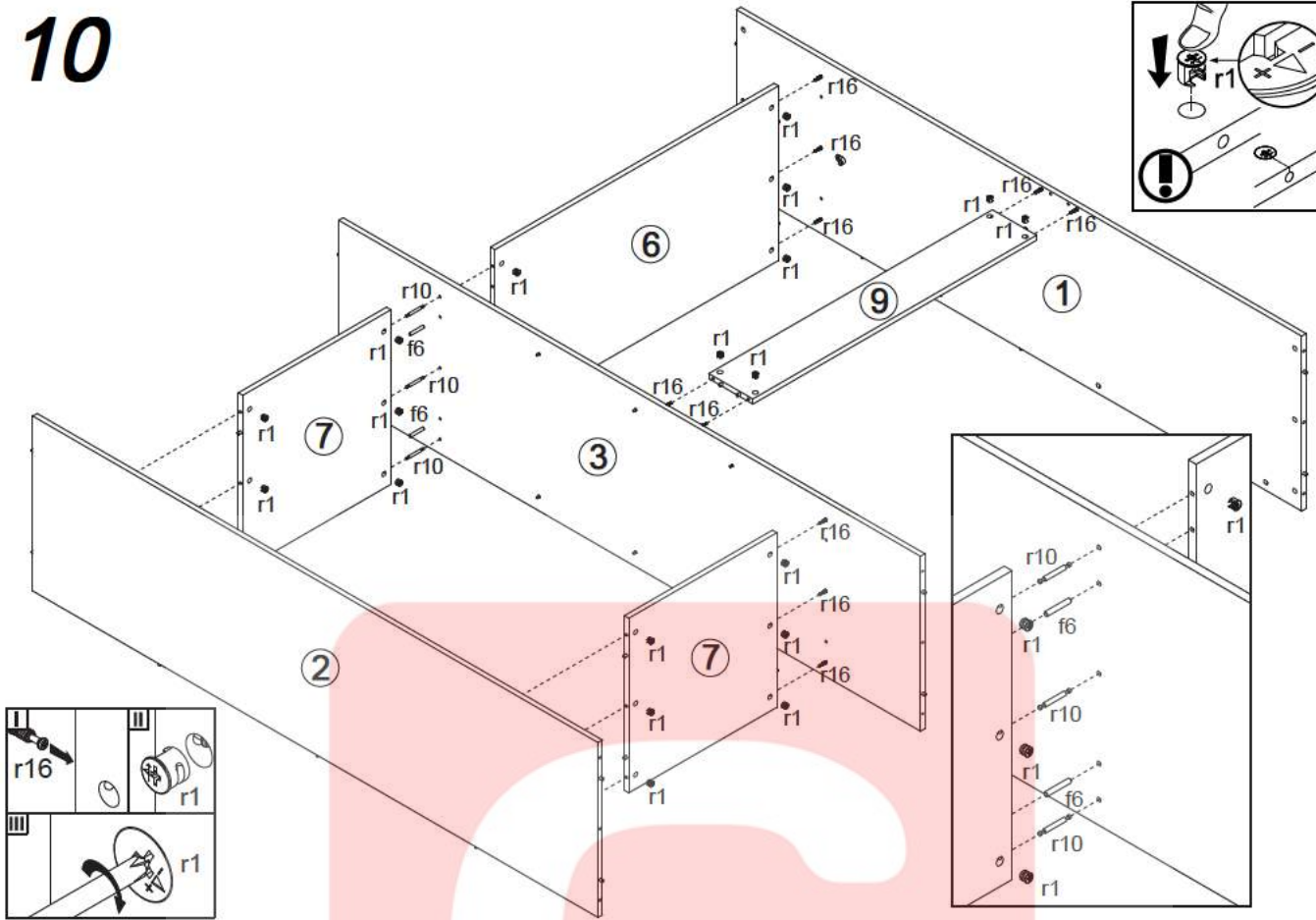
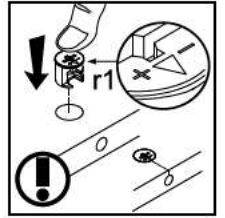
8



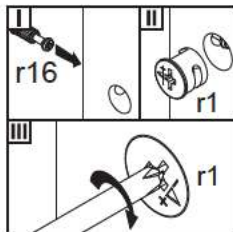
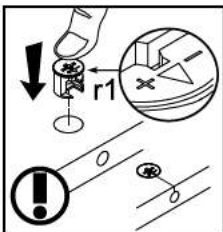
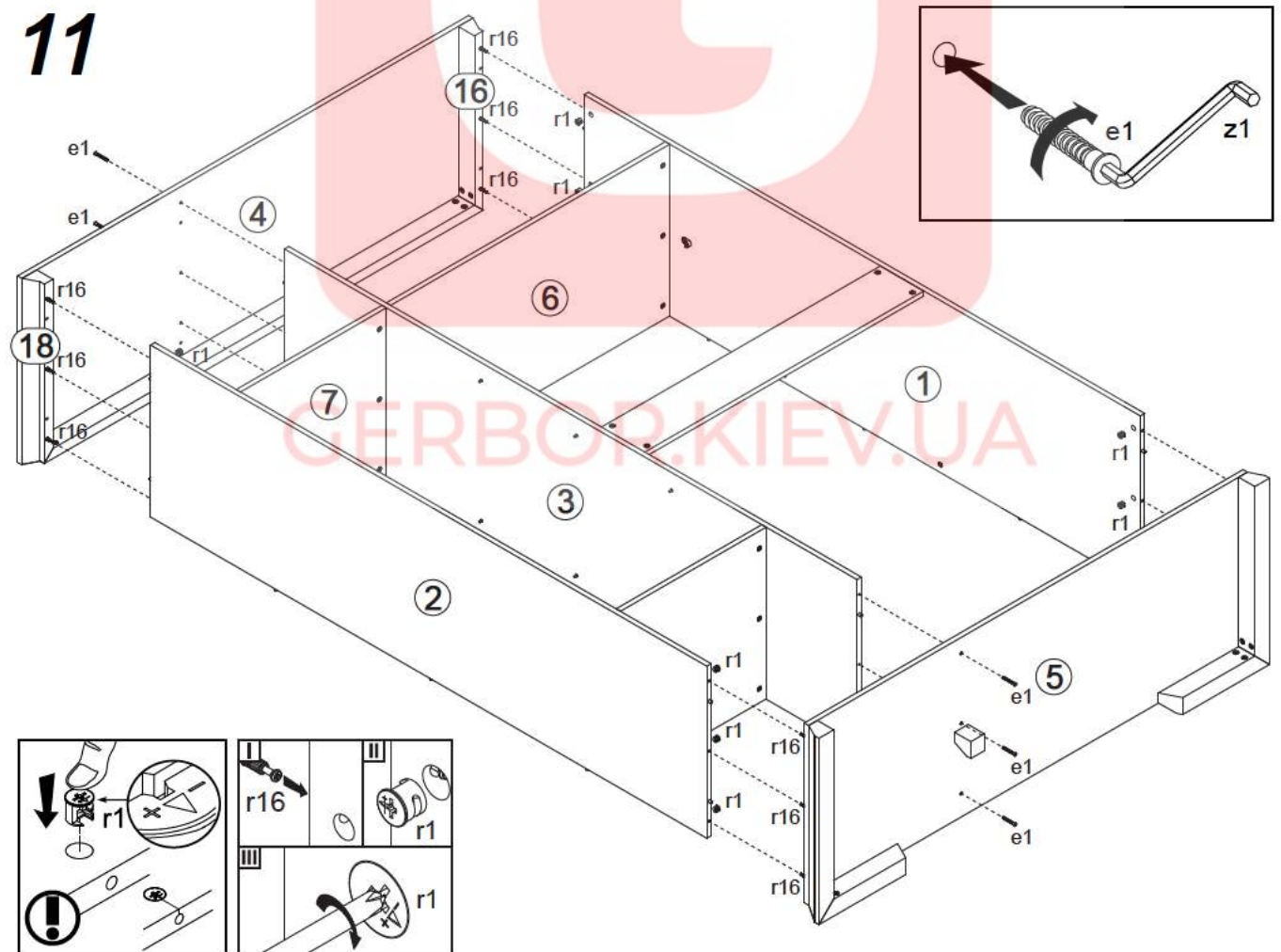
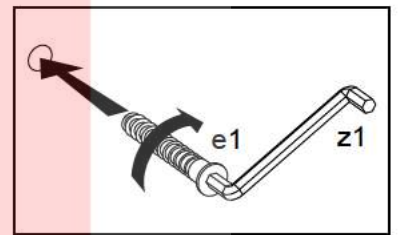
9



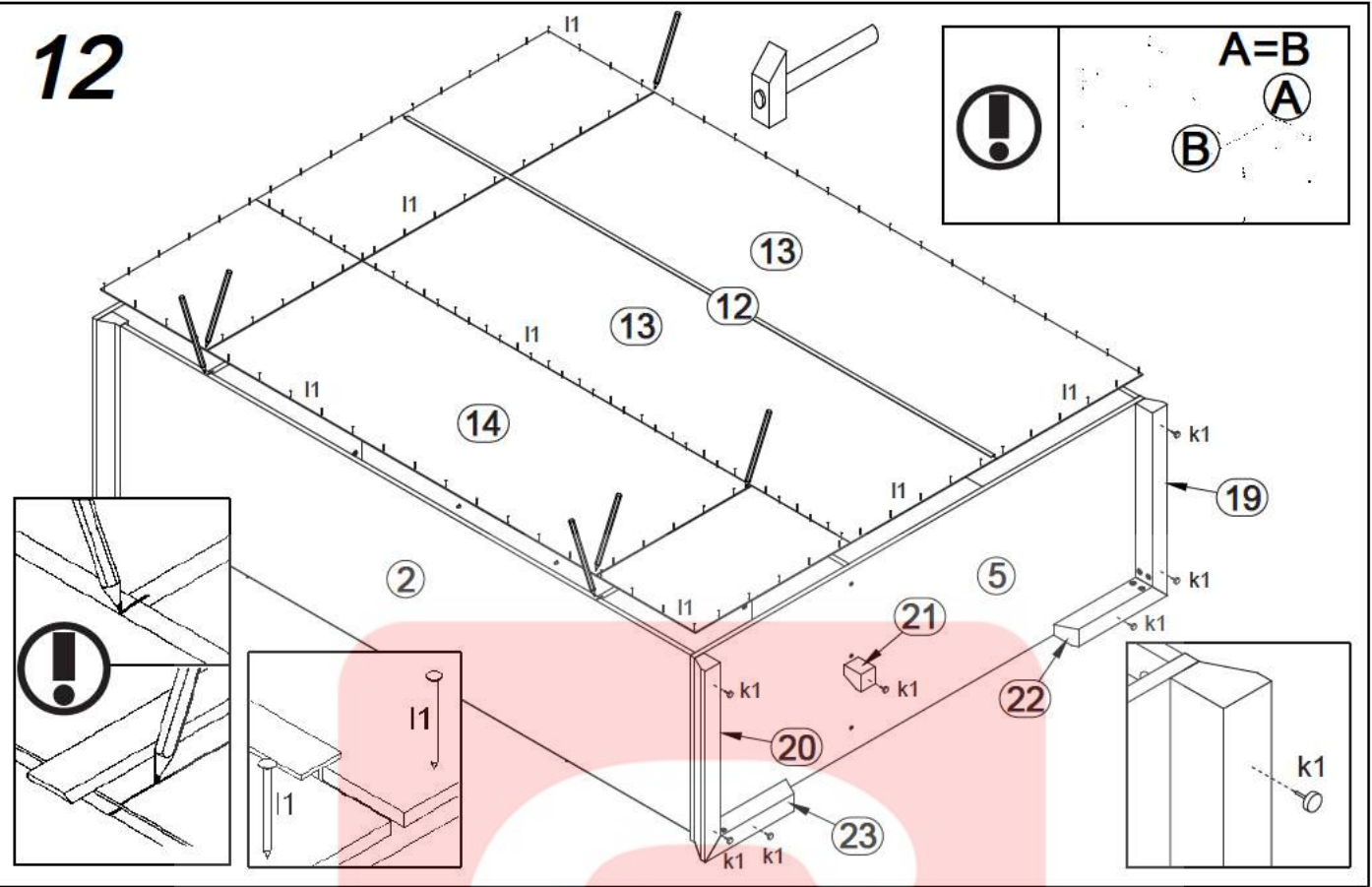
10



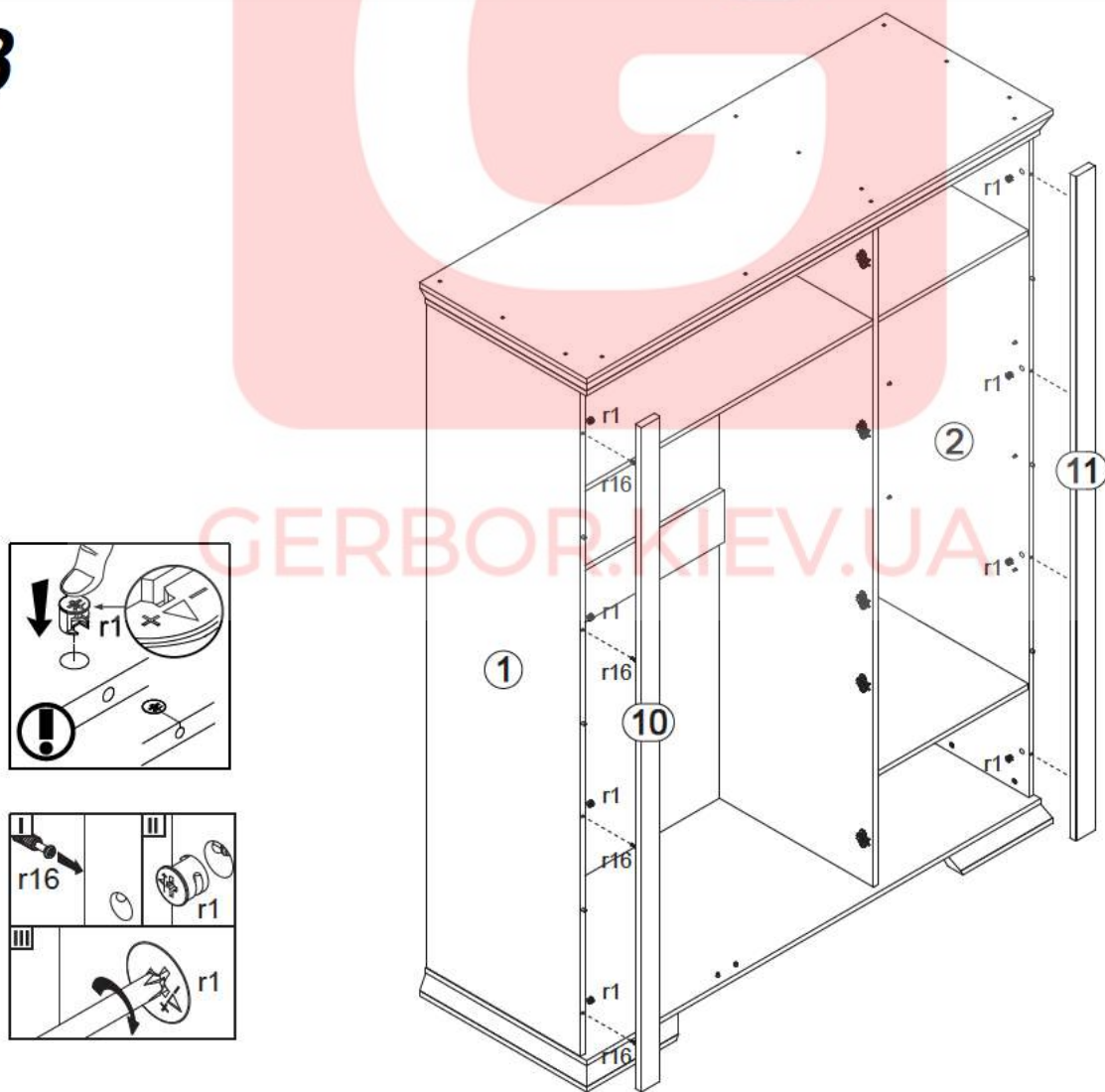
11



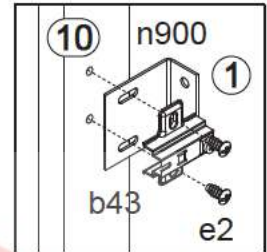
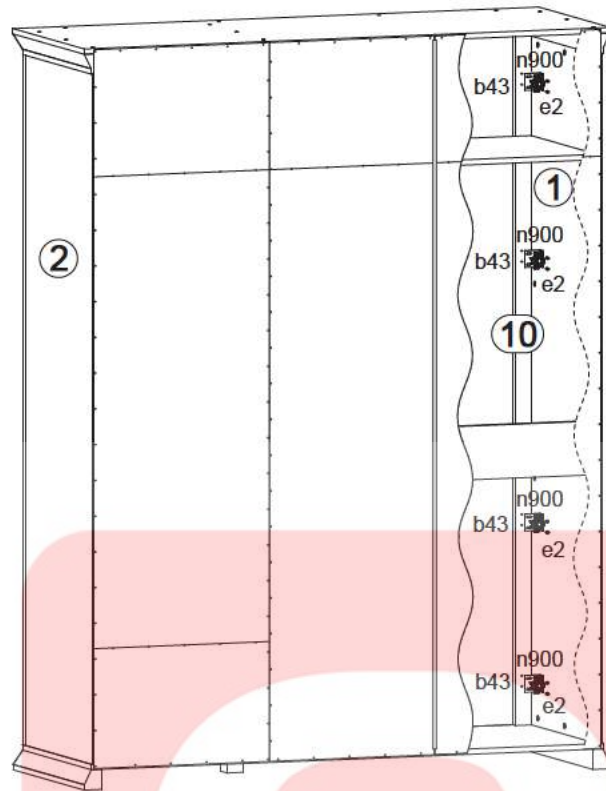
12



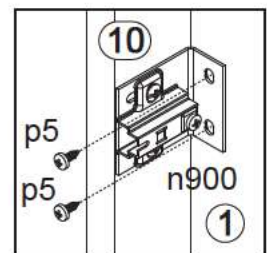
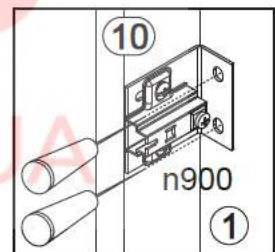
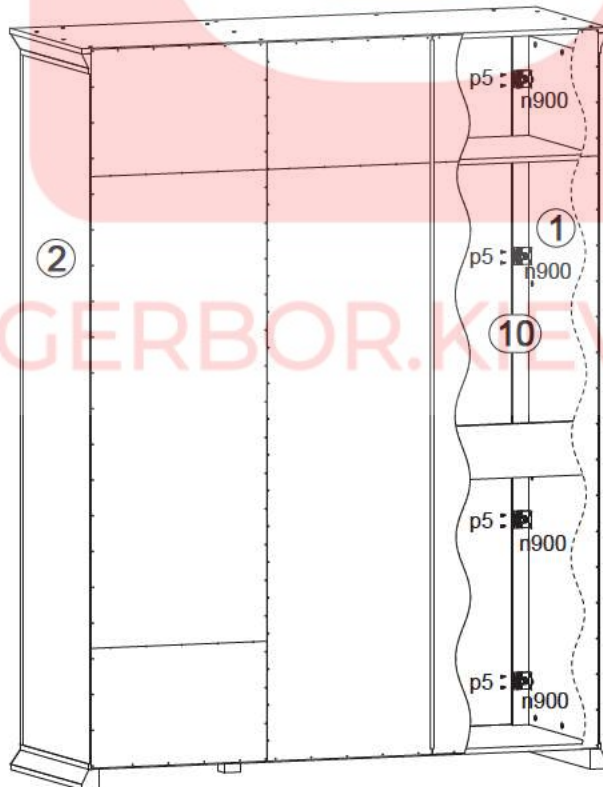
13



14



15



16

