

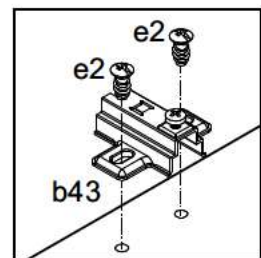
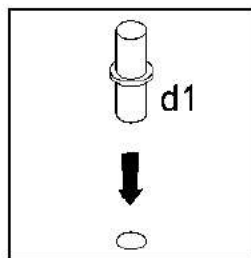
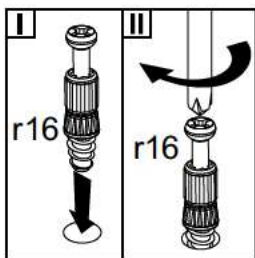
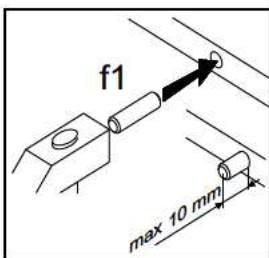
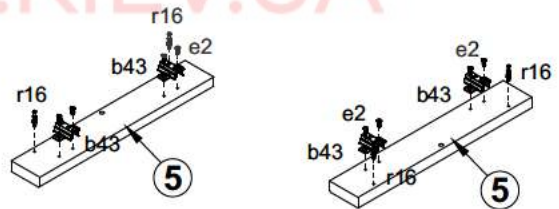
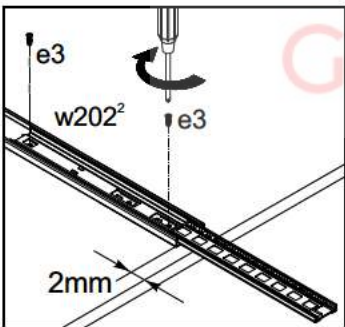
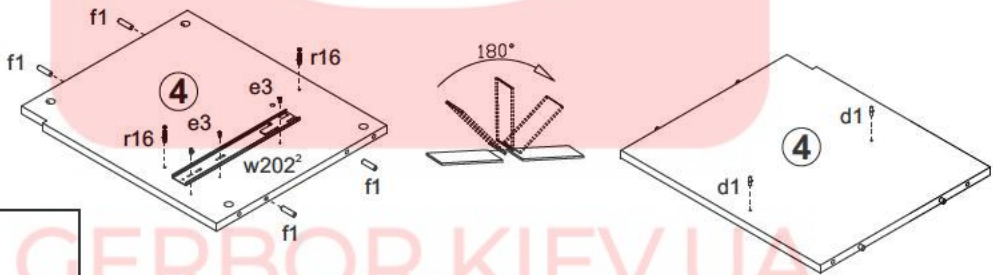
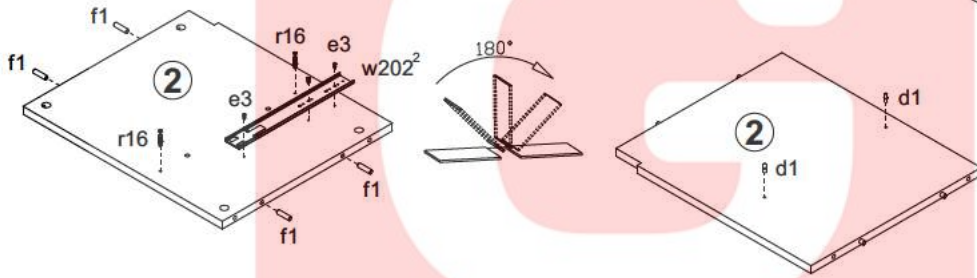
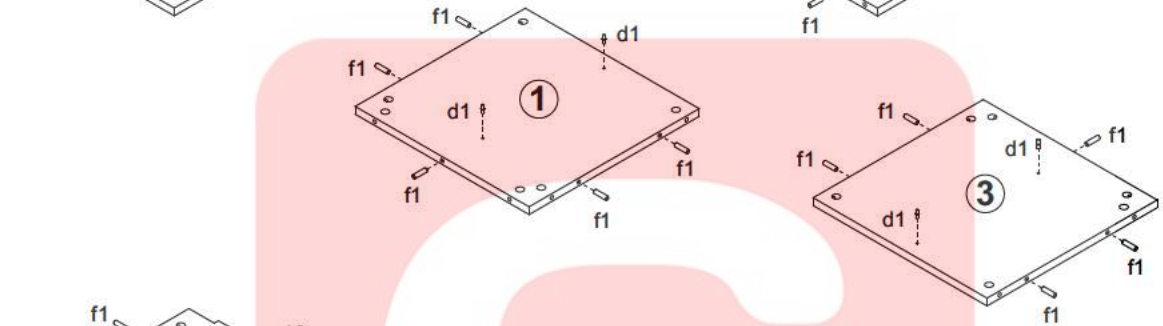
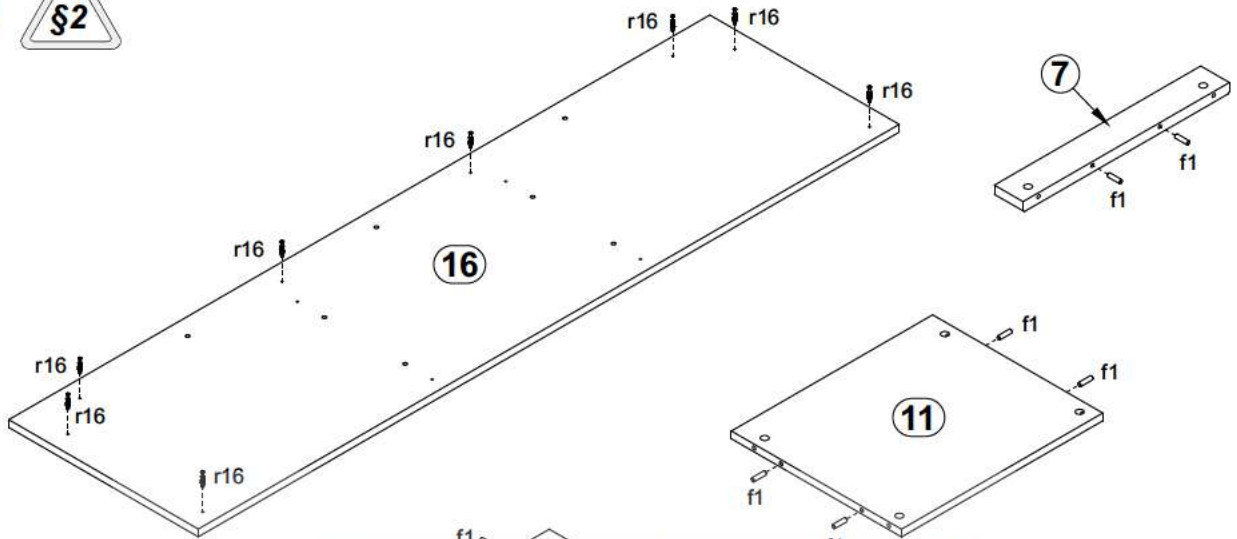
| A  | B          | C   | D       |
|----|------------|-----|---------|
| 1  | MS1 105    | 413 | 404 1/4 |
| 2  | MS1 106 01 | 473 | 404 1/4 |
| 3  | MS1 107    | 413 | 404 1/4 |
| 4  | MS1 108 01 | 473 | 404 1/4 |
| 5  | MS1 524    | 413 | 68 1/4  |
| 6  | MS1 003    | 490 | 182 4/4 |
| 7  | MS1 401    | 490 | 68 1/4  |
| 8  | MS1 907    | 500 | 557 1/4 |
| 9  | MS1 902    | 500 | 493 1/4 |
| 10 | MS1 301    | 536 | 404 1/4 |

| A  | B          | C    | D       |
|----|------------|------|---------|
| 11 | MS1 302    | 478  | 404 1/4 |
| 12 | MS1 551 01 | 400  | 140 1/4 |
| 13 | MS1 552 01 | 400  | 140 1/4 |
| 14 | MS1 553    | 420  | 140 1/4 |
| 15 | MS1 901    | 435  | 399 1/4 |
| 16 | MS1 222    | 1665 | 450 2/4 |
| 17 | MS1 202    | 1620 | 428 2/4 |
| 18 | MS1 518    | 1664 | 60 3/4  |
| 19 | MS1 5580   | 449  | 60 3/4  |
| 20 | MS1 5581   | 449  | 60 3/4  |

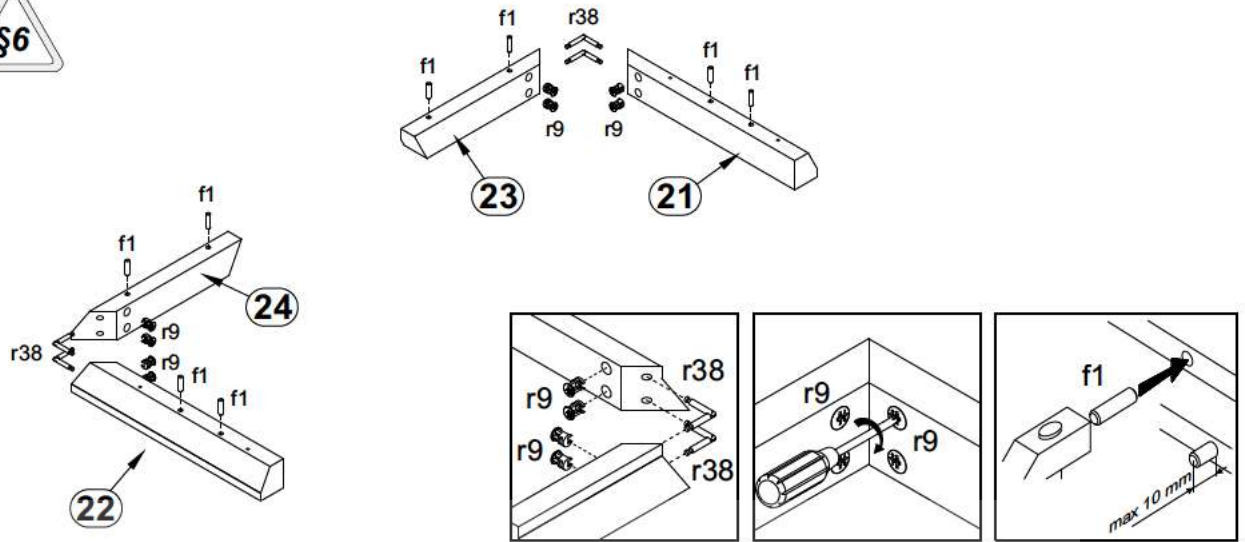
| A  | B       | C     | D       |
|----|---------|-------|---------|
| 21 | MS1 504 | 449,5 | 60 3/4  |
| 22 | MS1 505 | 449,5 | 60 3/4  |
| 23 | MS1 506 | 350   | 60 3/4  |
| 24 | MS1 507 | 350   | 60 3/4  |
| 25 | MS1 549 | 50    | 60 3/4  |
| 26 | MS1 004 | 407   | 490 4/4 |

|                         |                     |                  |                |                     |                                 |                                 |                         |
|-------------------------|---------------------|------------------|----------------|---------------------|---------------------------------|---------------------------------|-------------------------|
| 4x  a132                | 2x  a133            | 4x  b43          | 3x  c801       | 8x  d1<br>φ5x17 mm  | 6x  e1<br>φ7x50 mm              | 8x  e2<br>φ6,3x13 mm            | 6x  e3<br>φ6x13 mm      |
| 4x  e32<br>φ5x50 mm     | 35x  f1<br>φ8x30 mm | 8x  k1           | 80x  l1        | 6x  p39<br>φ4x20 mm | 8x  p51<br>φ3,5x15 mm           | 6x  p93<br>φ4x12 mm             | 30x  r1<br>φ15x12mm #16 |
| 24x  r9<br>φ15x19mm #28 | 38x  r16<br>20/9    | 8x  r38<br>39/39 | 16x  s2<br>φ16 | 4x  s4<br>φ5        | 2x  w202 <sup>1</sup><br>400 mm | 2x  w202 <sup>2</sup><br>400 mm | 1x  z1                  |

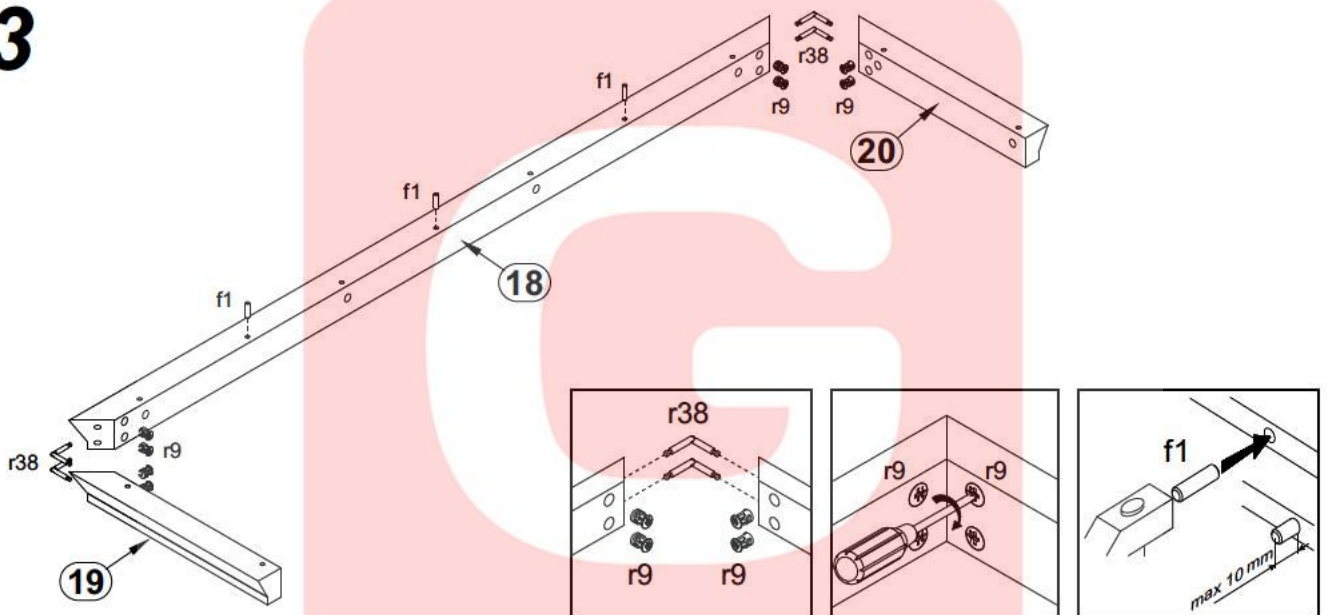
**1** 



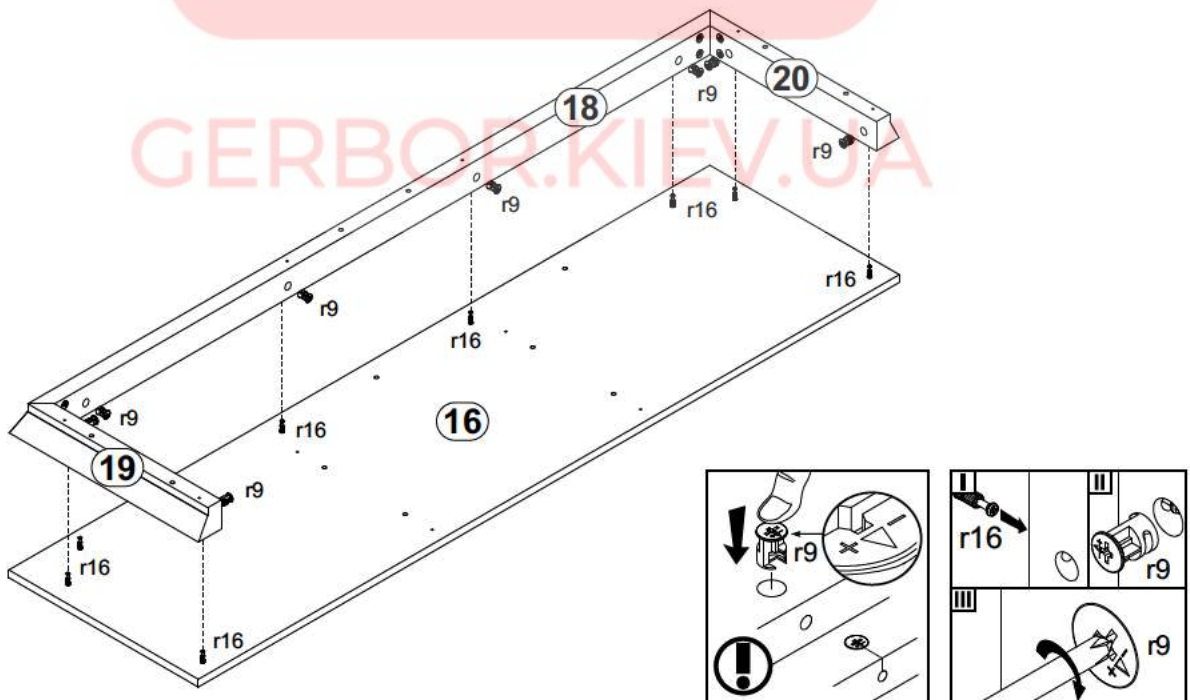
# 2



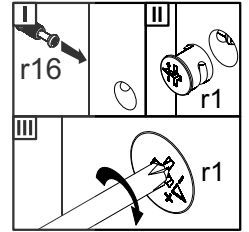
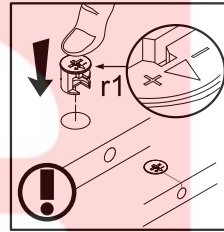
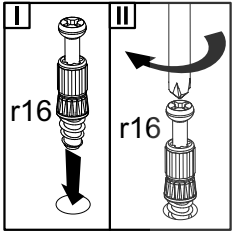
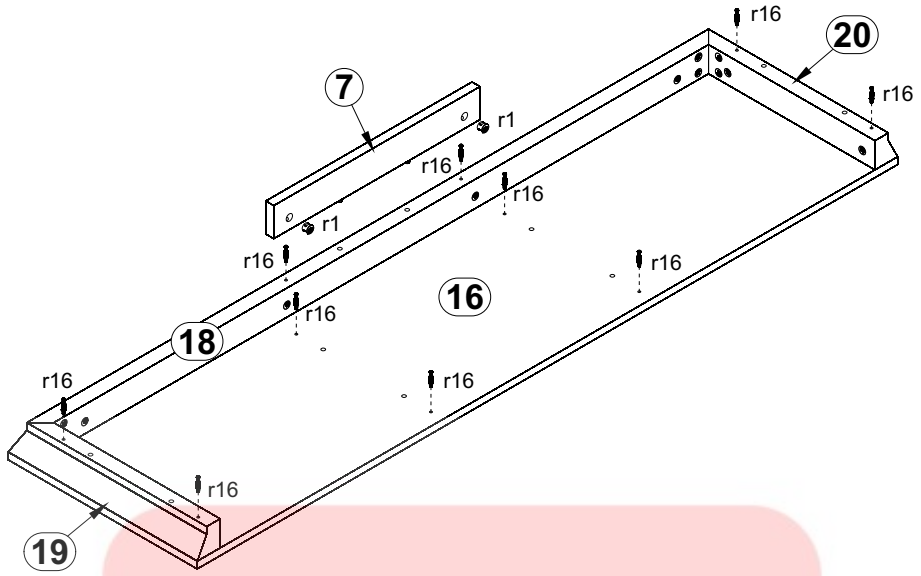
# 3



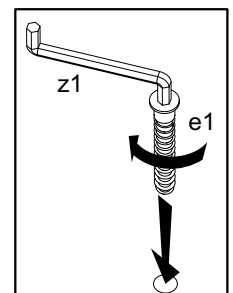
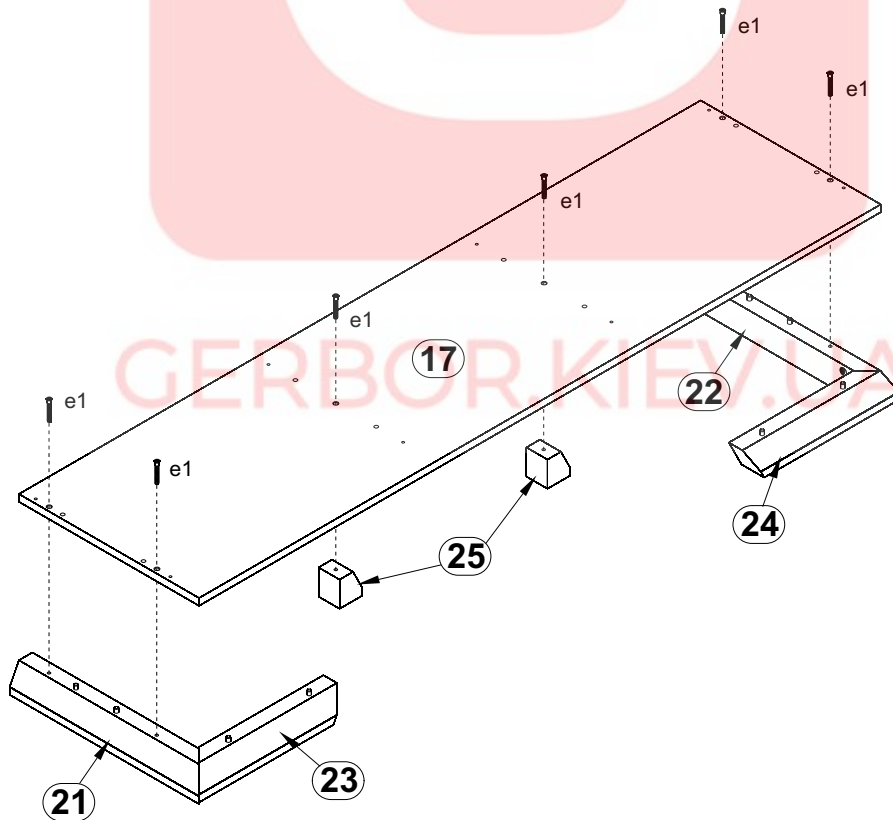
# 4



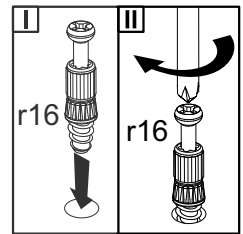
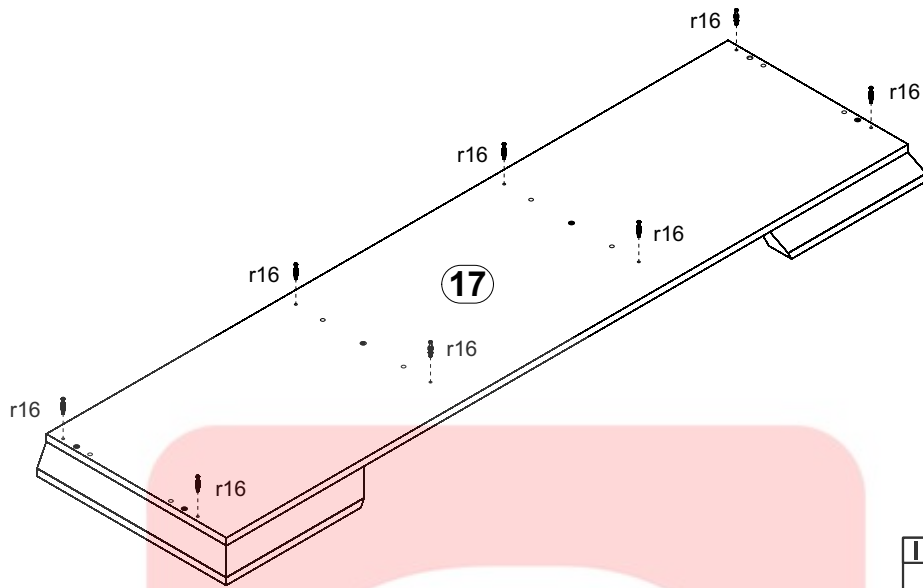
# 5



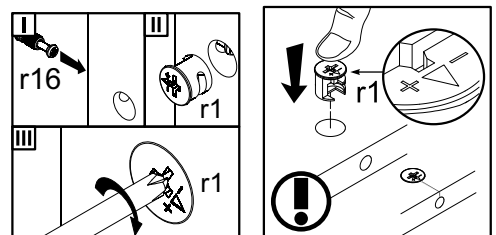
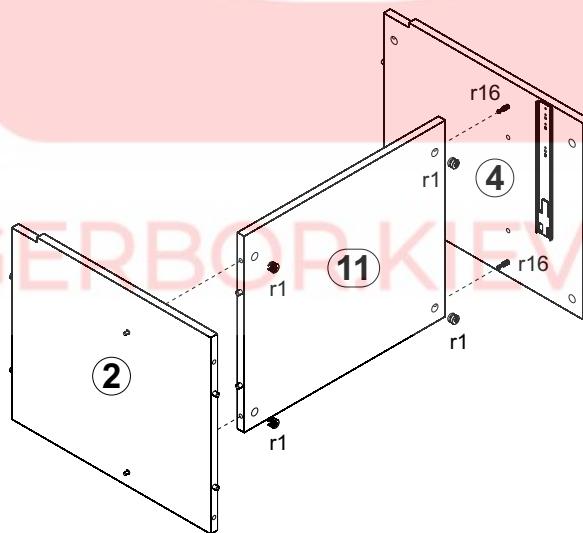
# 6



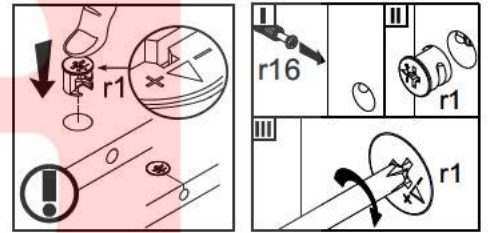
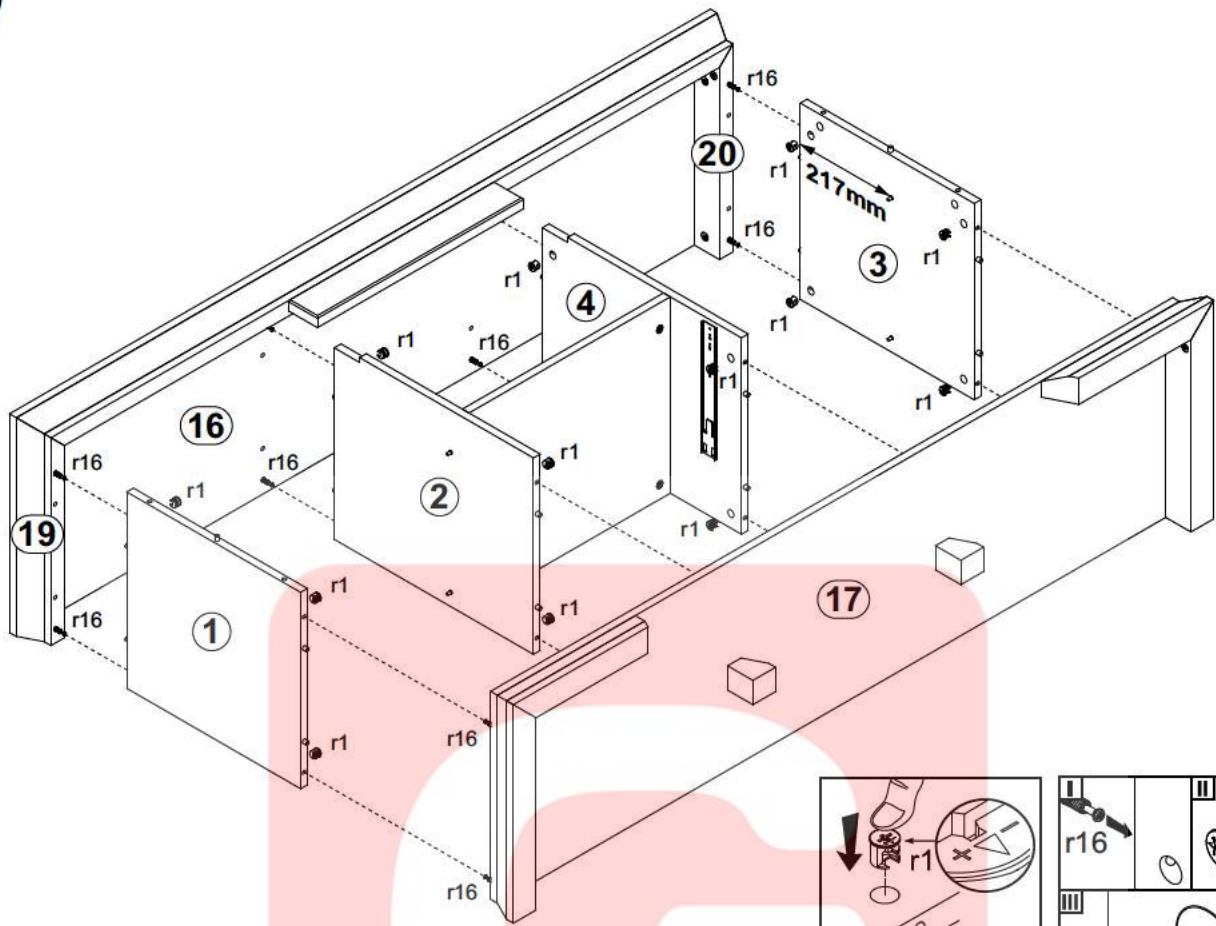
# 7



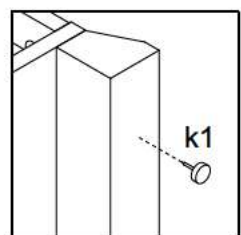
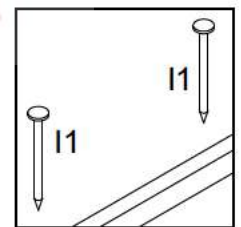
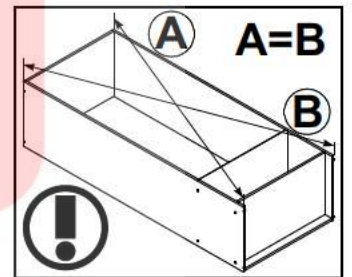
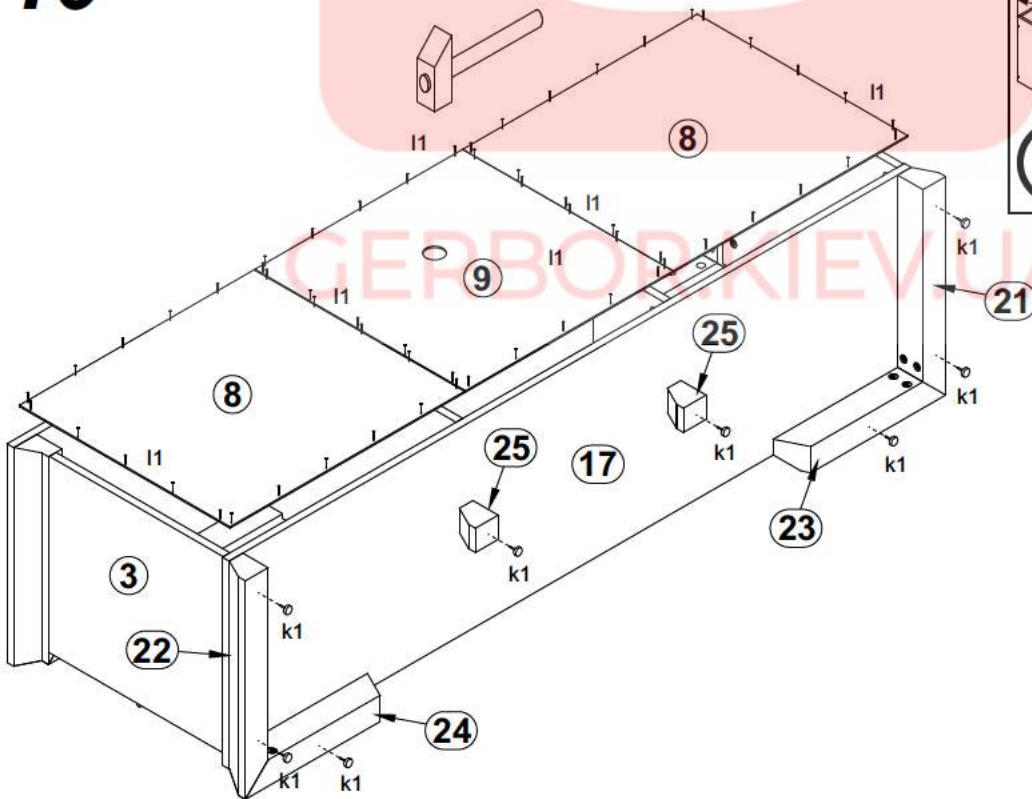
# 8



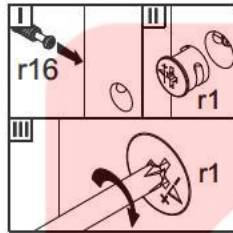
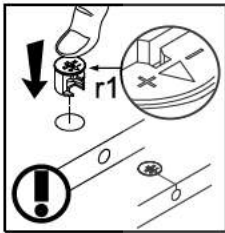
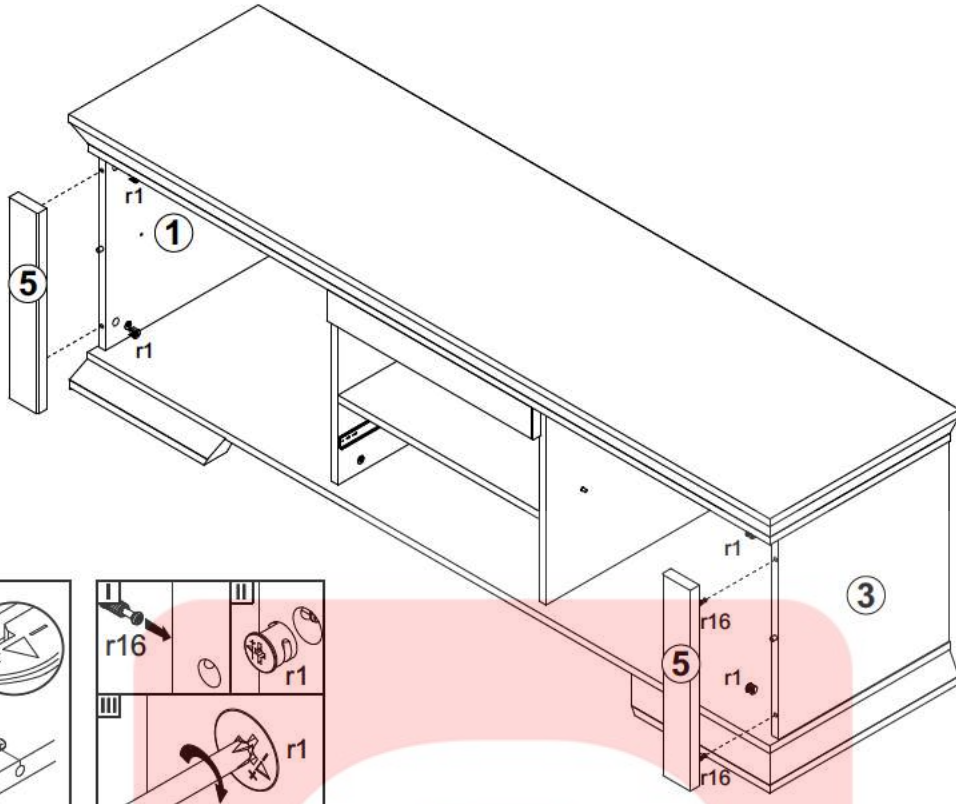
# 9



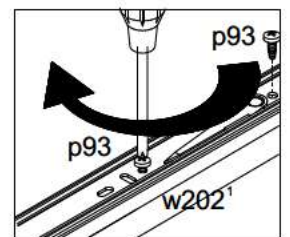
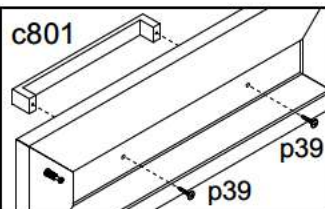
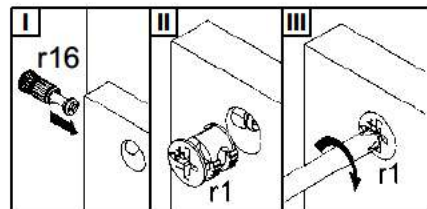
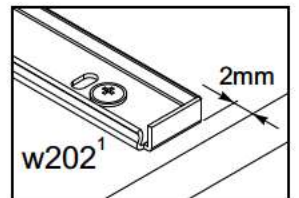
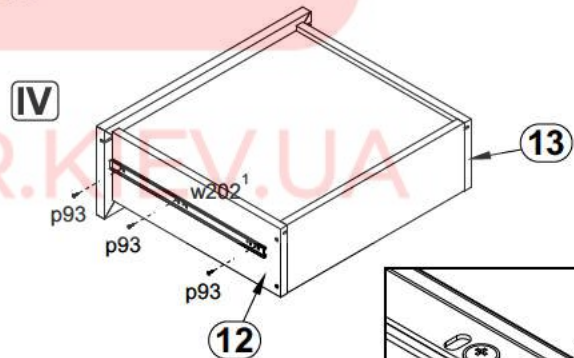
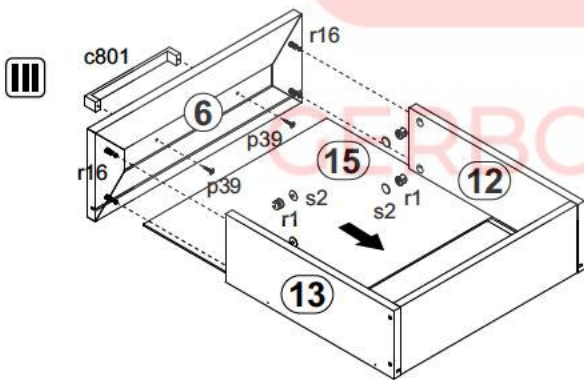
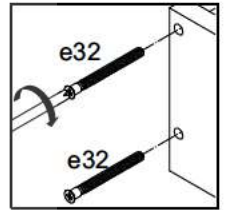
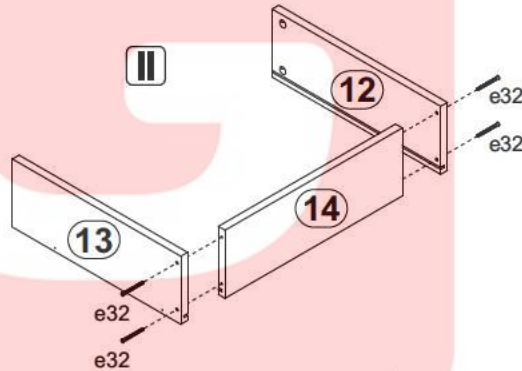
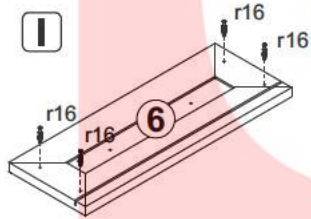
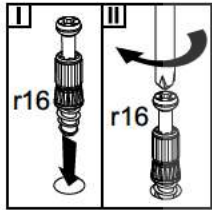
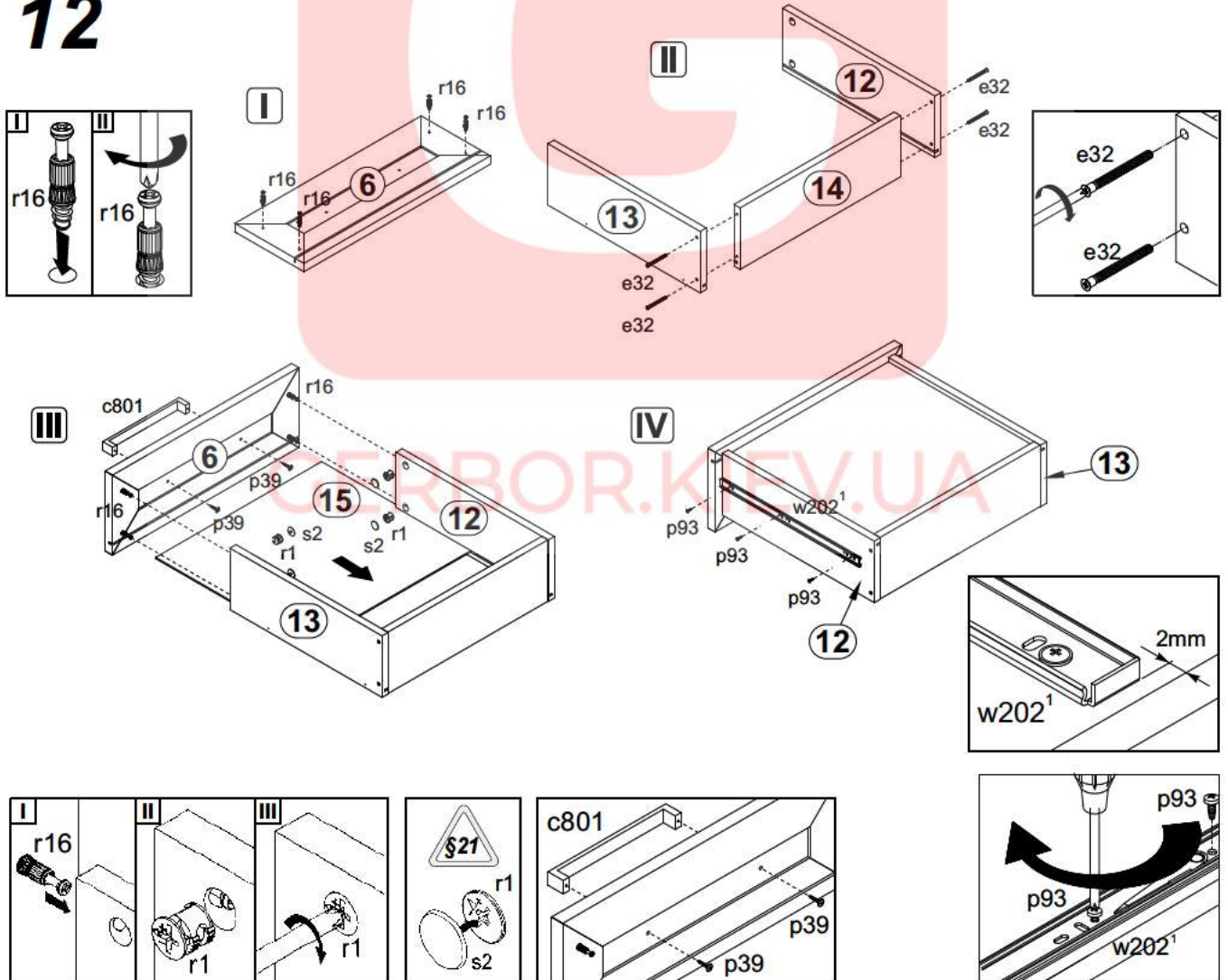
# 10



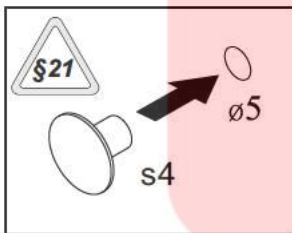
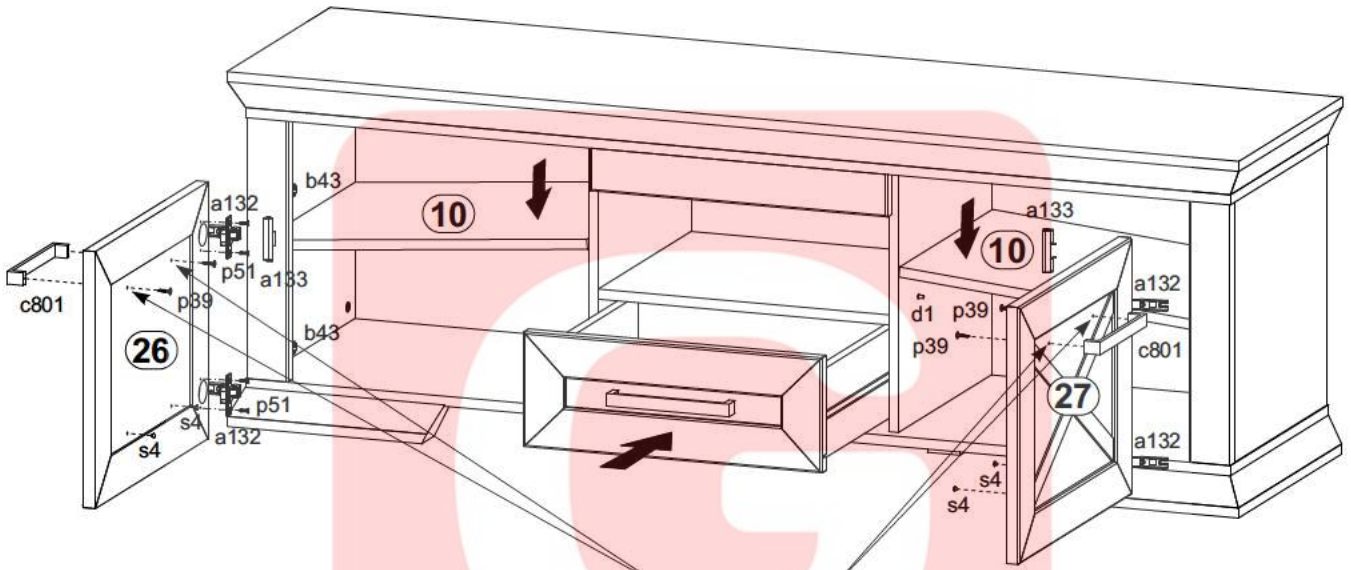
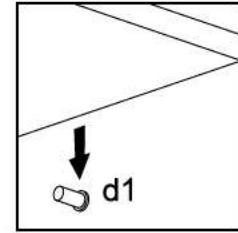
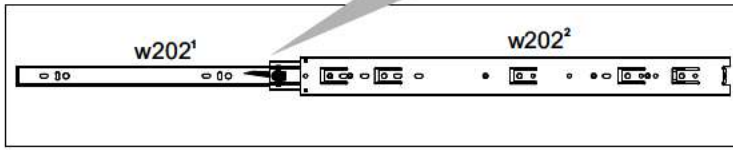
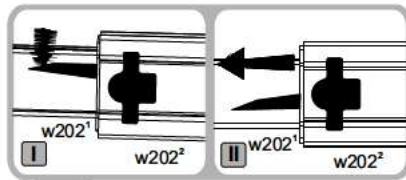
# 11



# 12



# 13



GERBOR.KIEV.UA

