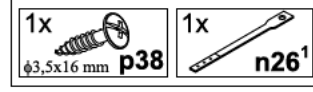
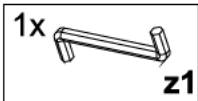
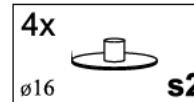
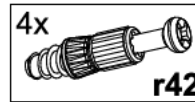
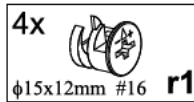
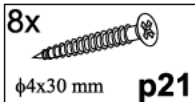
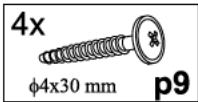
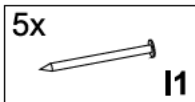
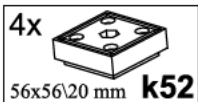
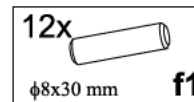
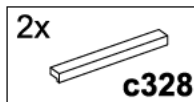
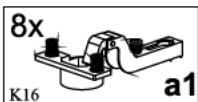
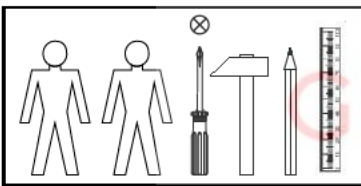
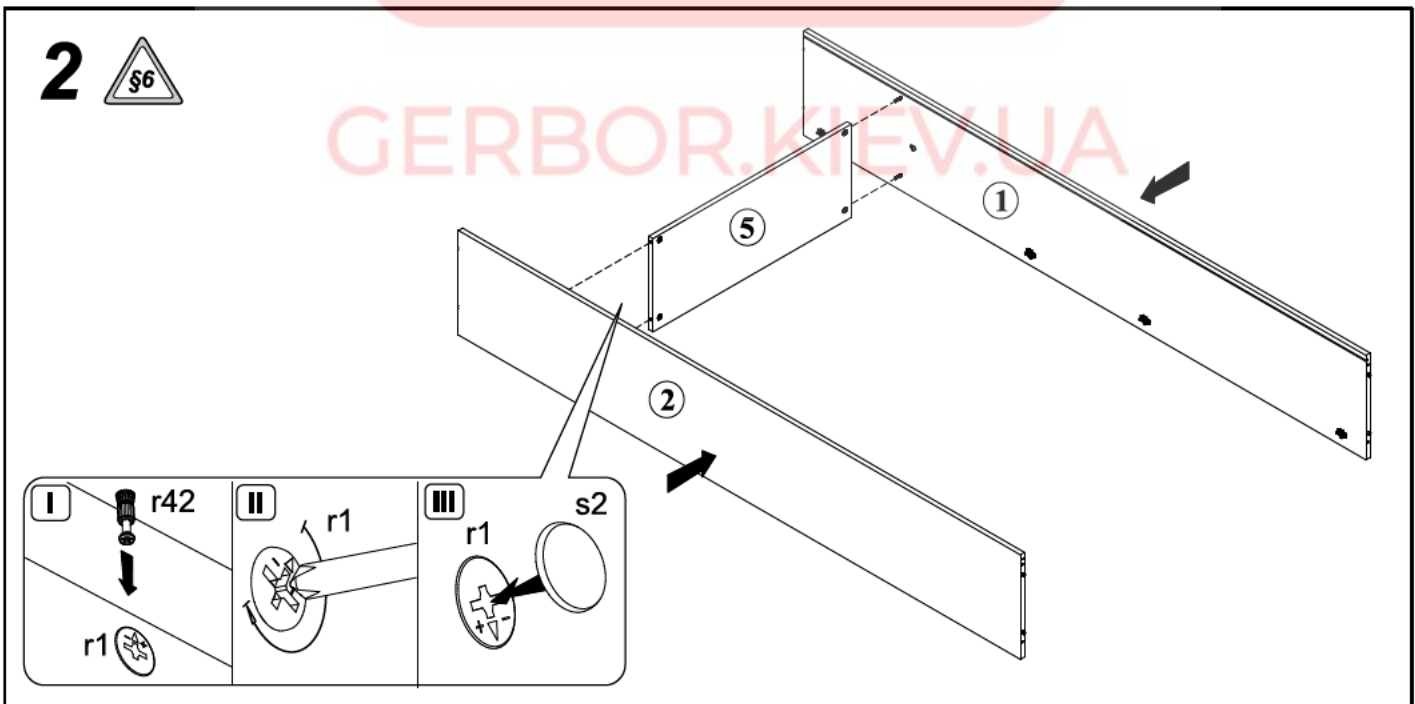
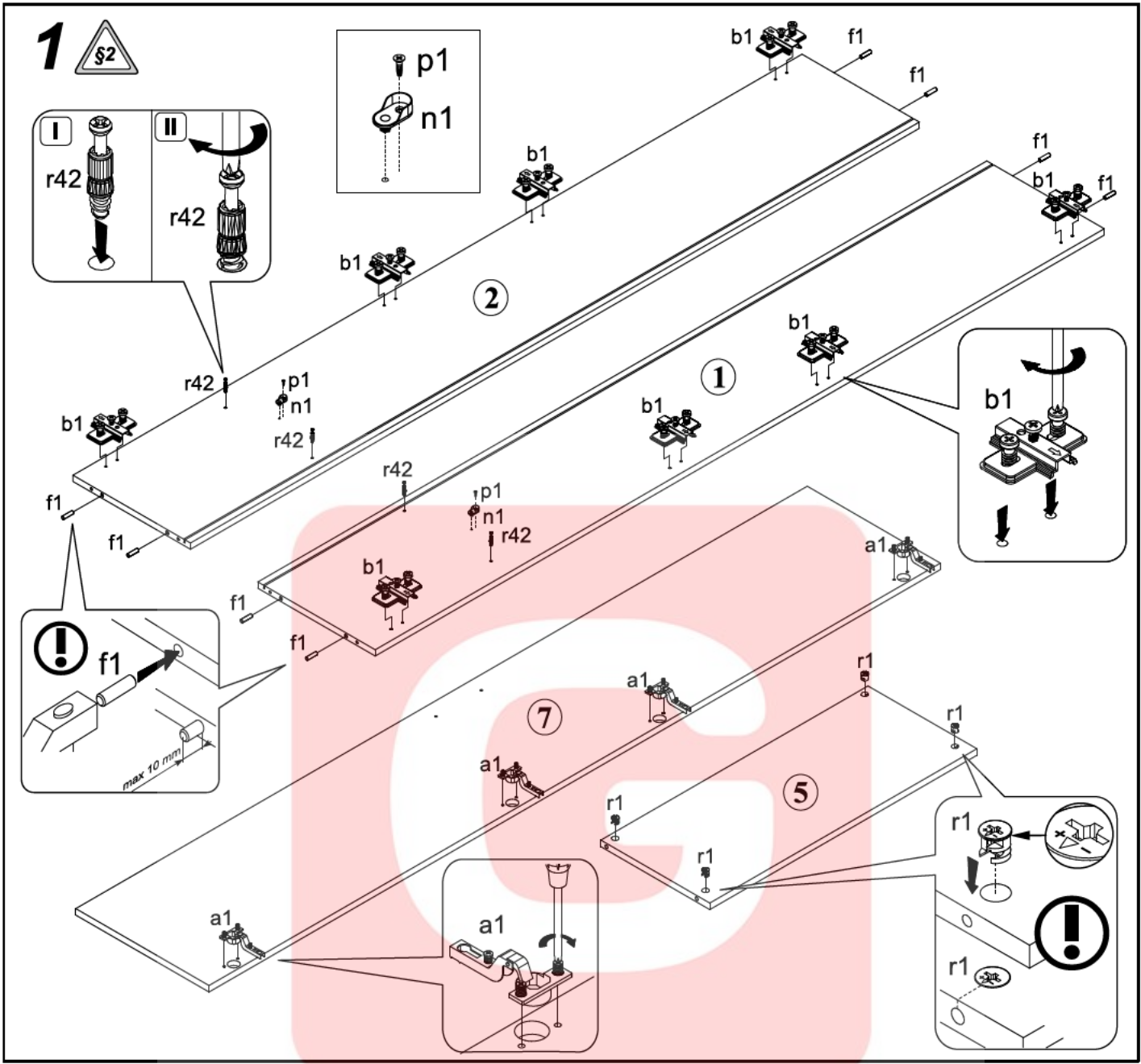
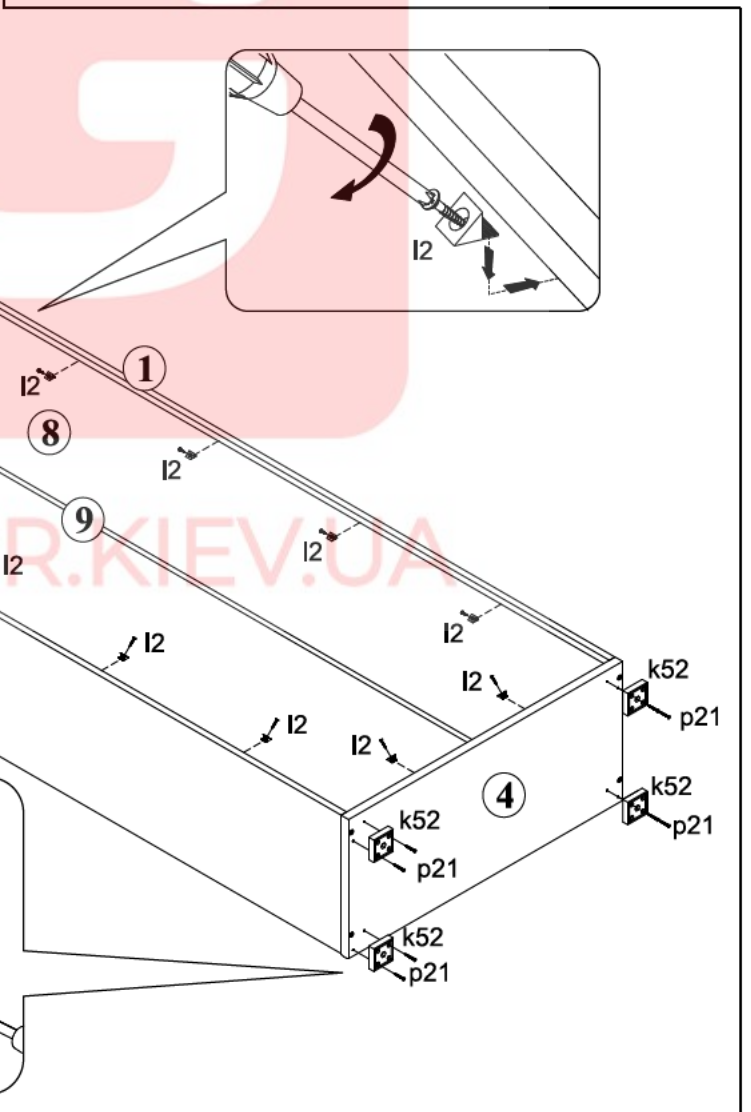
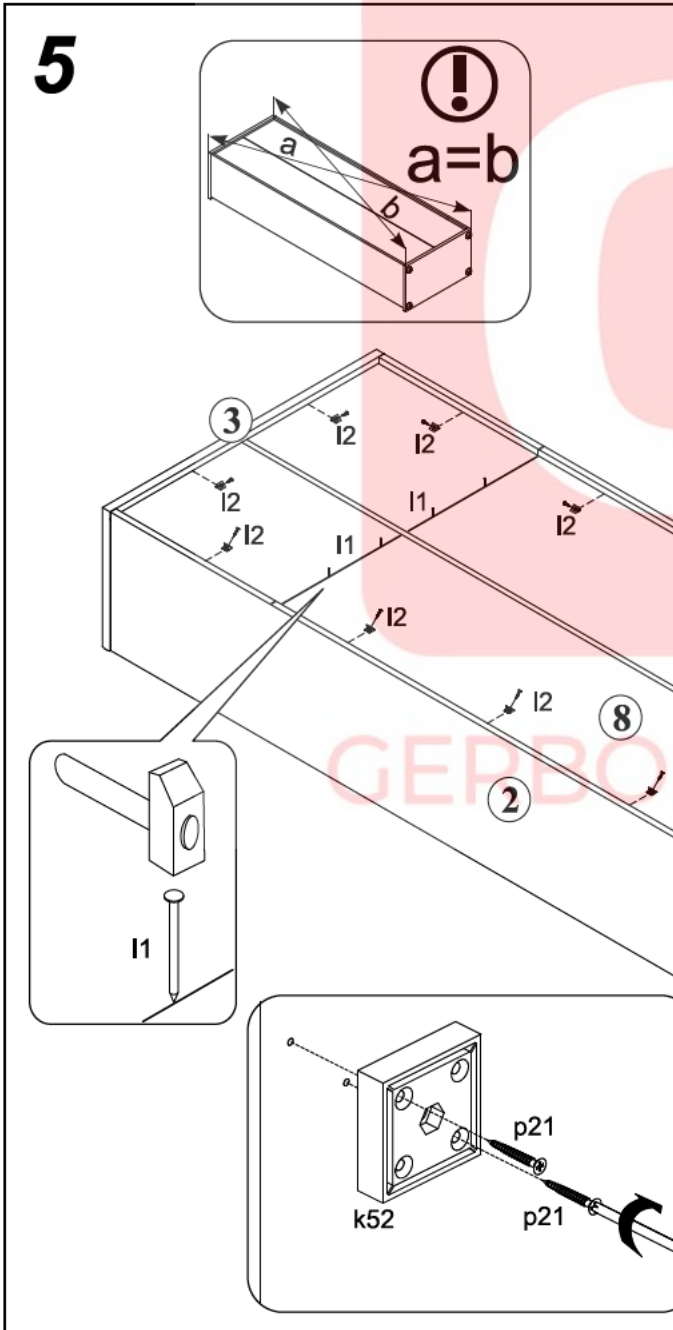
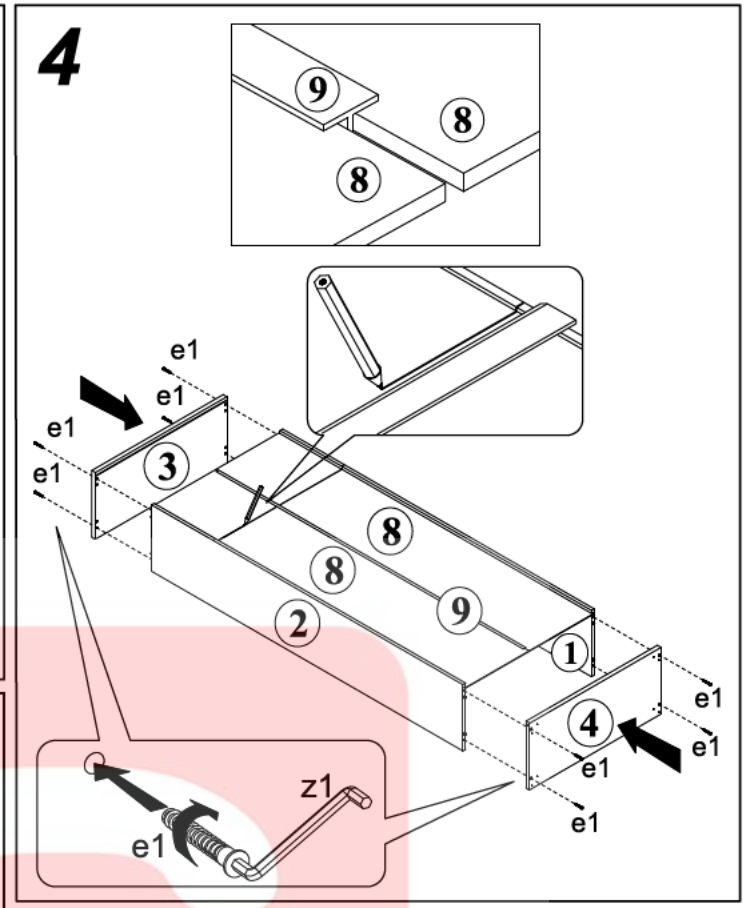
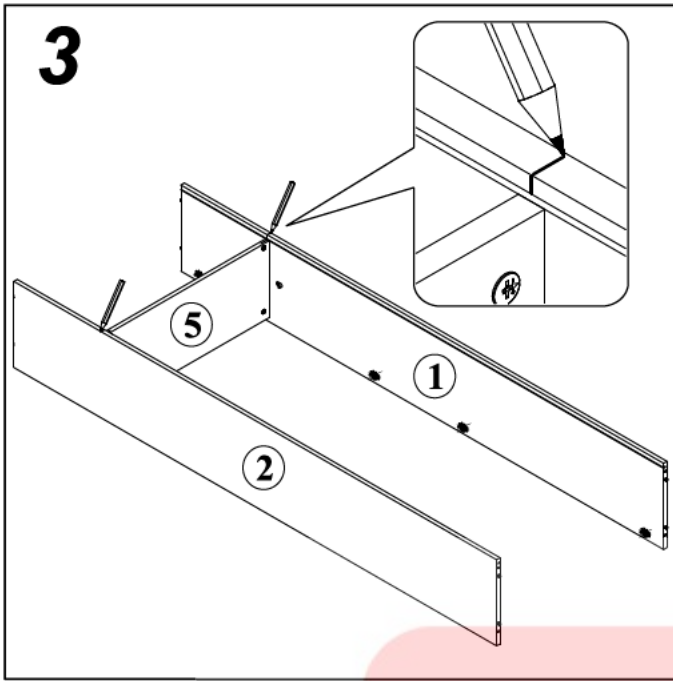
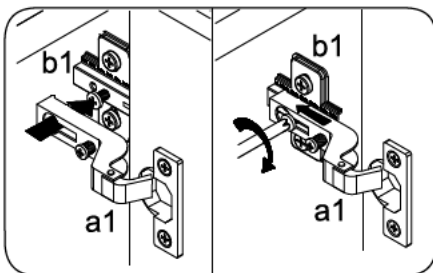
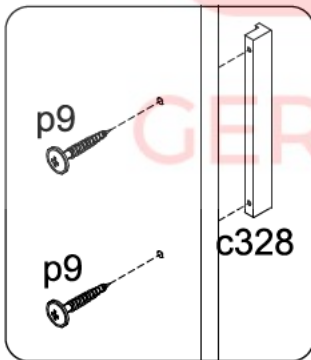
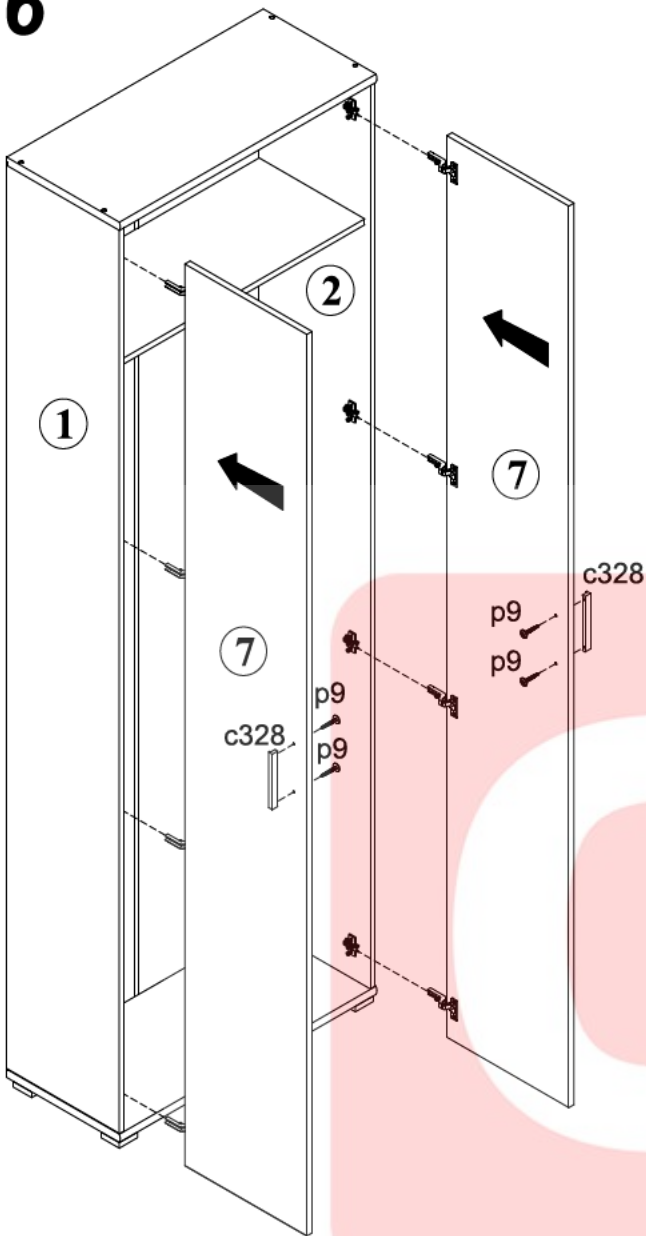


A	B	C	D
1	S171-118-01	2148x541	1/2
2	S171-119-01	2148x541	1/2
3	S171-219	791x545	1/2
4	S171-220	791x545	1/2
5	S171-306-01	758x502	1/2
6	DR-753	753	1/2
7	S171-007	2142x376	2/2
8	S171-901	2162x385	2/2
9	LH-2147	2147x14	2/2







6**7**