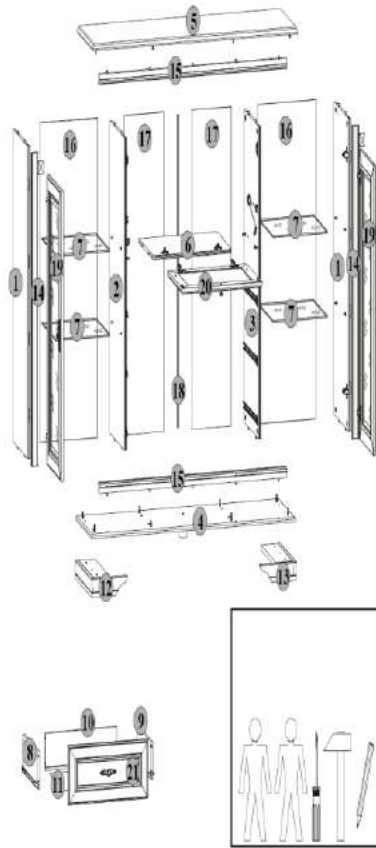
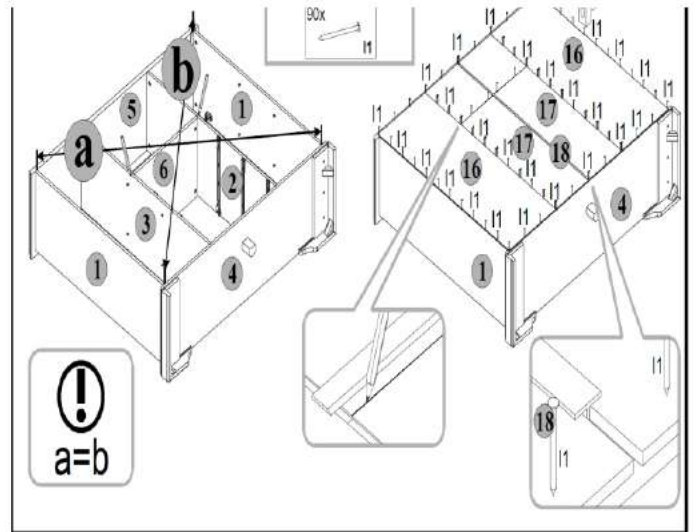
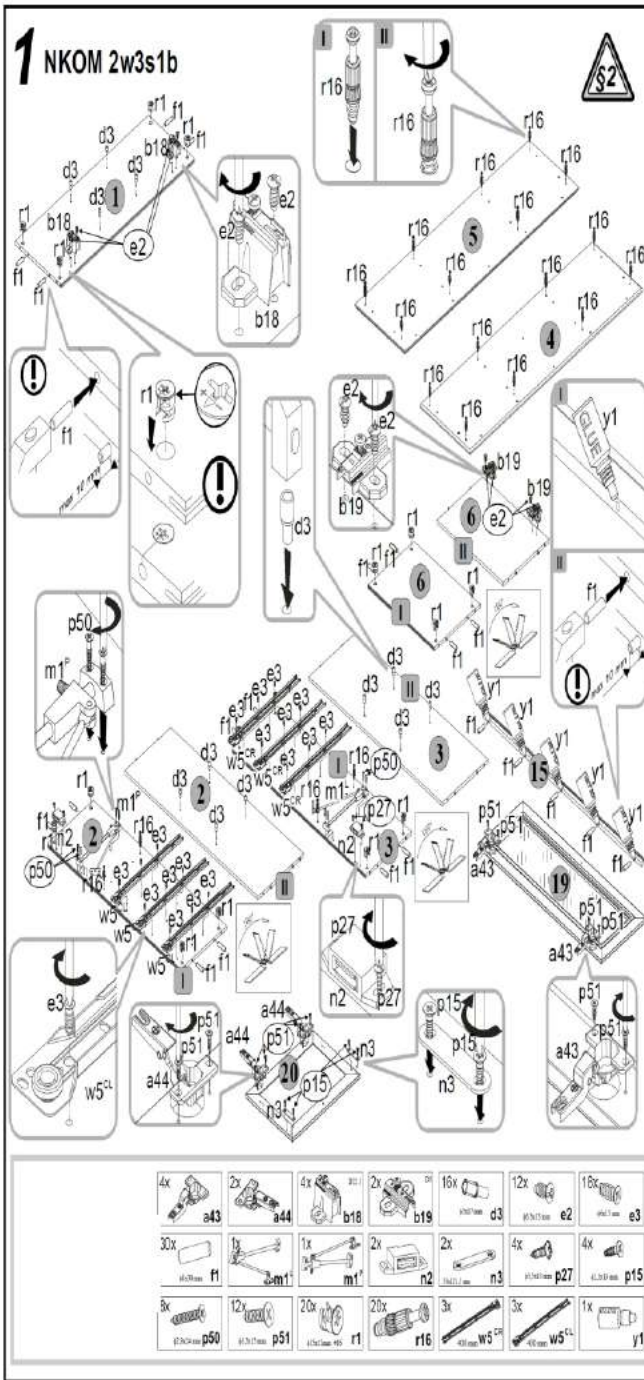


STYLIUS NKOM 2w3s1b

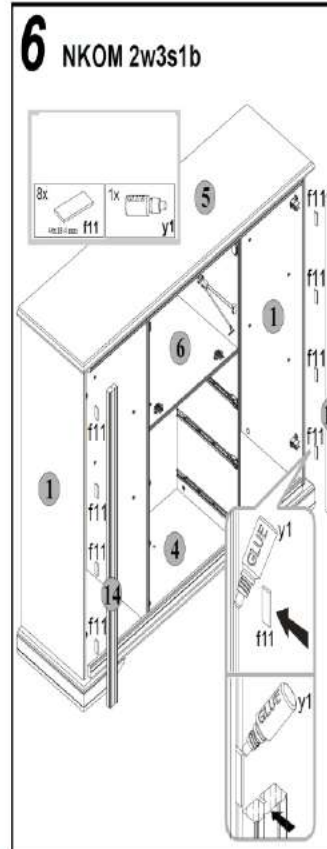
1	1172x405	S21-134	1/8
2	1172x403	S21-135/A	1/8
3	1172x403	S21-136/A	1/8
4	1521x438	S21-232	2/8
5	1529x438	S21-233	2/8
6	583x403	S21-325	1/8
7	405x390	S21-565	3/8
8	40x140	S21-501	1/8
9	40x140	S21-502	1/8
10	534x140	S21-516	1/8
11	545x398	S21-628	1/8
12	270x442	S21-2583	5/8
13	270x442	S21-2586	5/8
14	1172x50	S21-577	4/8
15	1366x40	S21-591	4/8
16	1198x428	S21-630	1/8
17	1198x299	S21-631	1/8
18	1170x14	h-1170	1/8
19	1087x396	S21-036	6/8
20	596x415	S21-035	7/8
21	596x221	S21-034	8/8



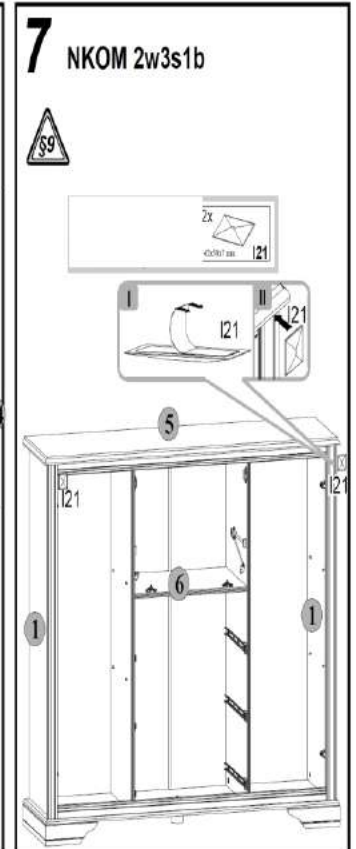
1 NKOM 2w3s1b



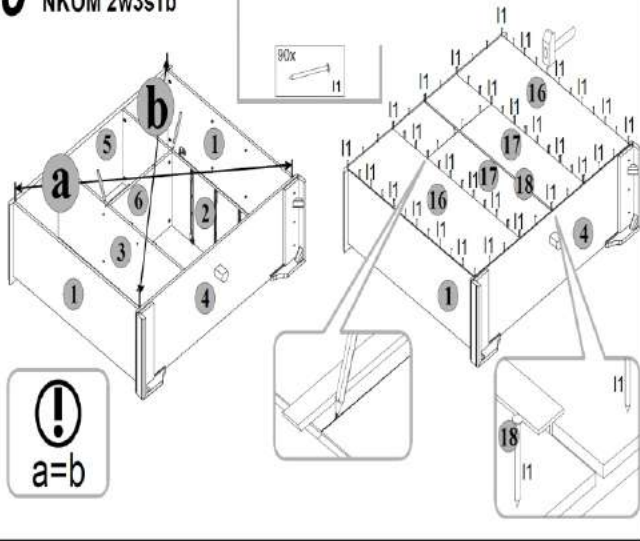
6 NKOM 2w3s1b



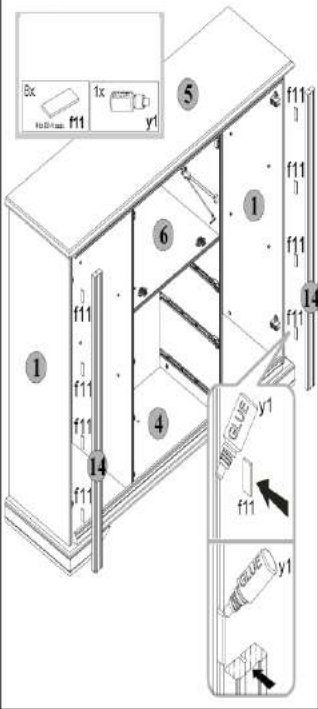
7 NKOM 2w3s1b



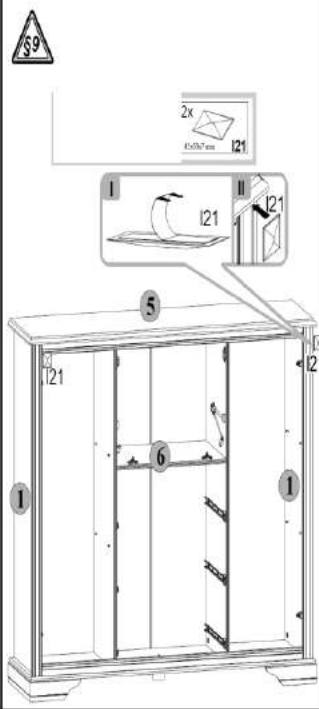
5 NKOM 2w3s1b



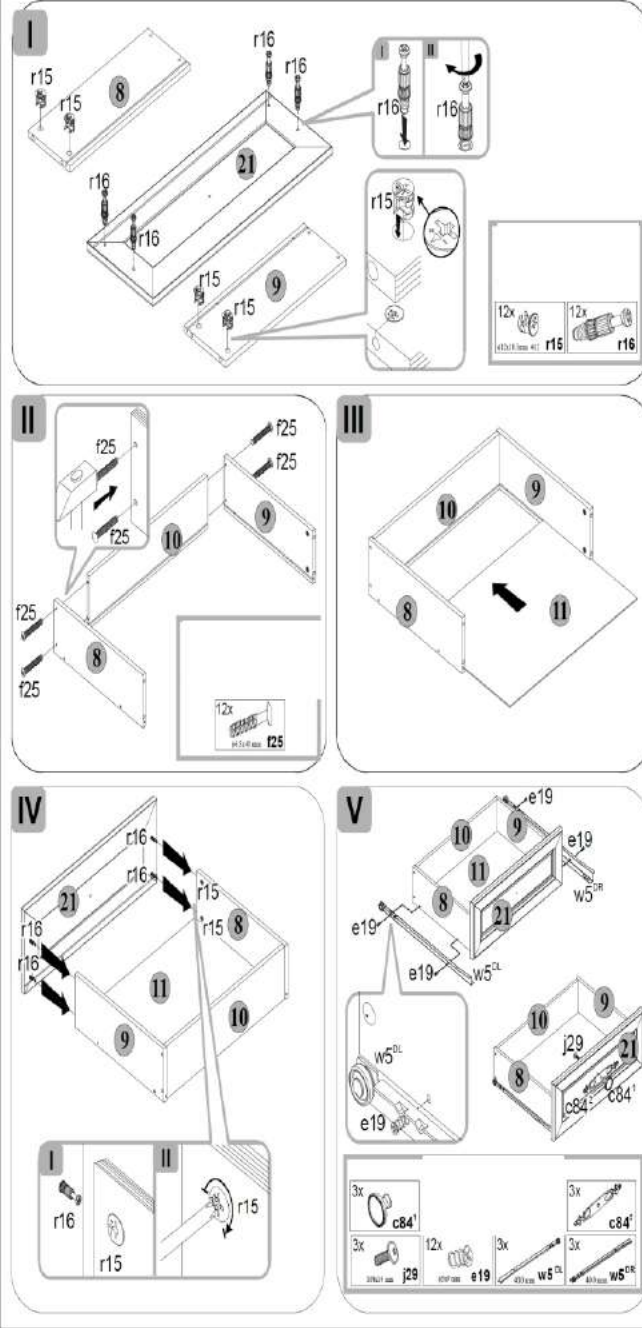
6 NKOM 2w3s1b



7 NKOM 2w3s1b



8 NKOM 2w3s1b



9 NKOM 2w3s1b

