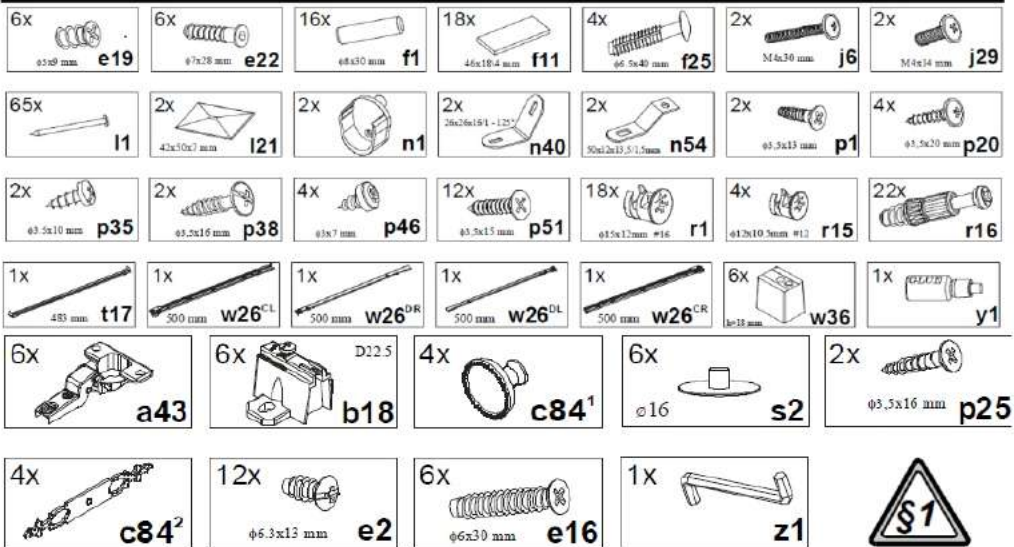
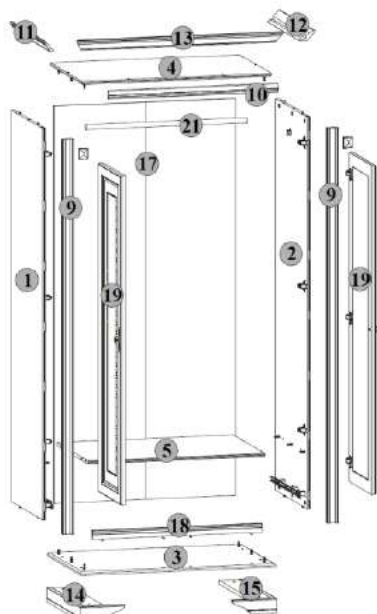
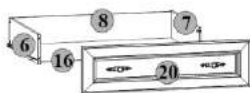
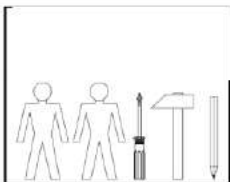


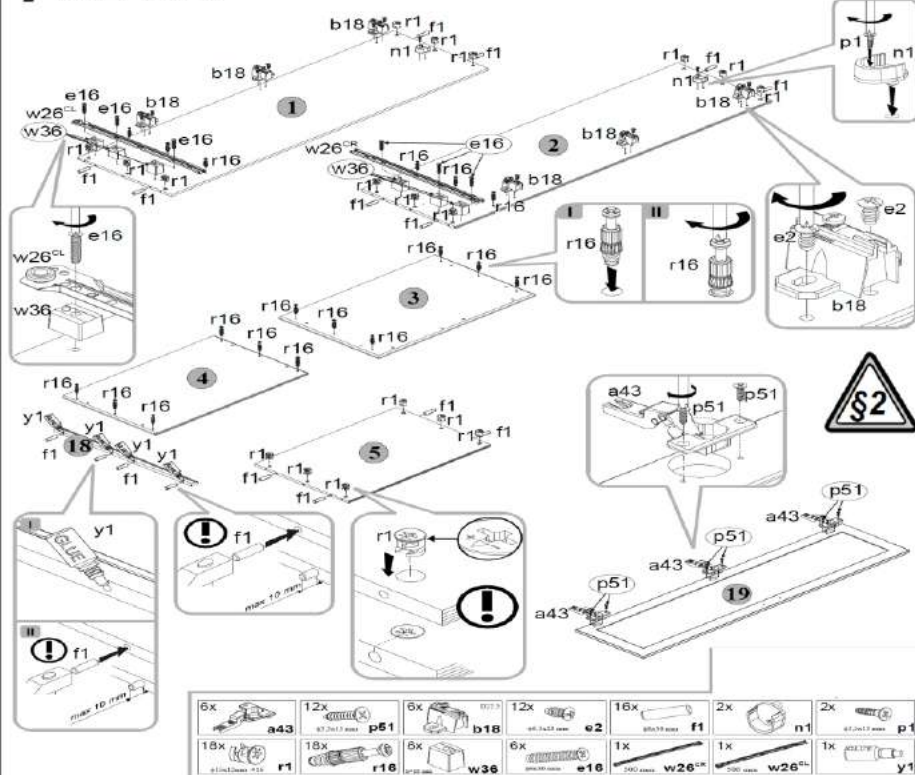
STYLIUS

NSZF 2d1s

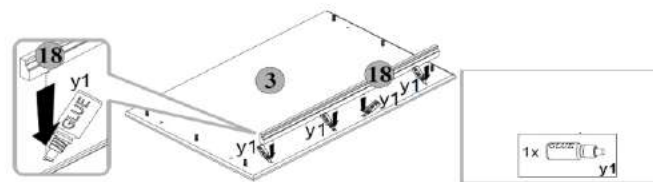
A	B	C	D
1	1857x550	S21-108	1/6
2	1857x550	S21-109	1/6
3	922x583	S21-214	2/6
4	896x550	S21-215	2/6
5	832x550	S21-309	1/6
6	500x140	S21-511	1/6
7	500x140	S21-512	1/6
8	747x140	S21-510	1/6
9	1873x50	S21-573	3/6
10	798x40	S21-581	3/6
11	609x79	S21-1576	3/6
12	609x79	S21-1577	3/6
13	971x79	S21-1575	3/6
14	210x587	S21-2579	4/6
15	210x587	S21-2580	4/6
16	758x498	S21-913	1/6
17	1884x859	S21-912	1/8
18	798x40	S21-572	3/6
19	1564x396	S21-014	5/6
20	794x221	S21-015	6/6
21	827x30	drh-827	1/6



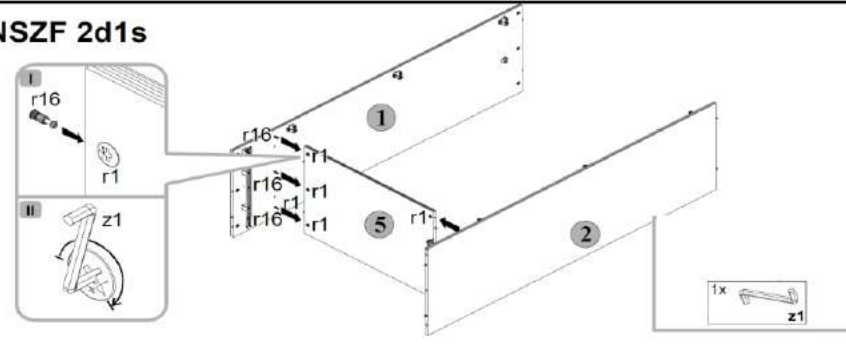
1 NSZF 2d1s



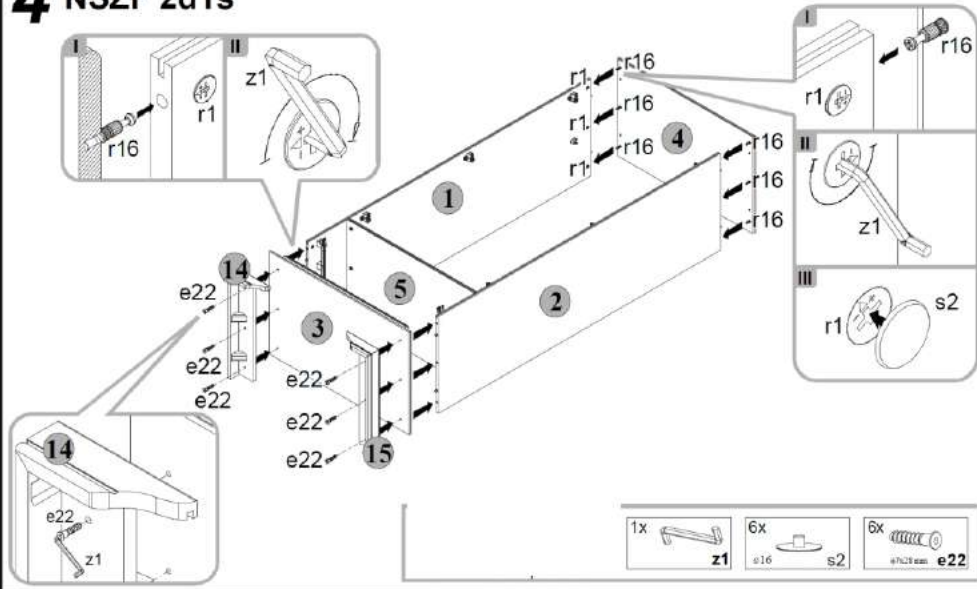
2 NSZF 2d1s



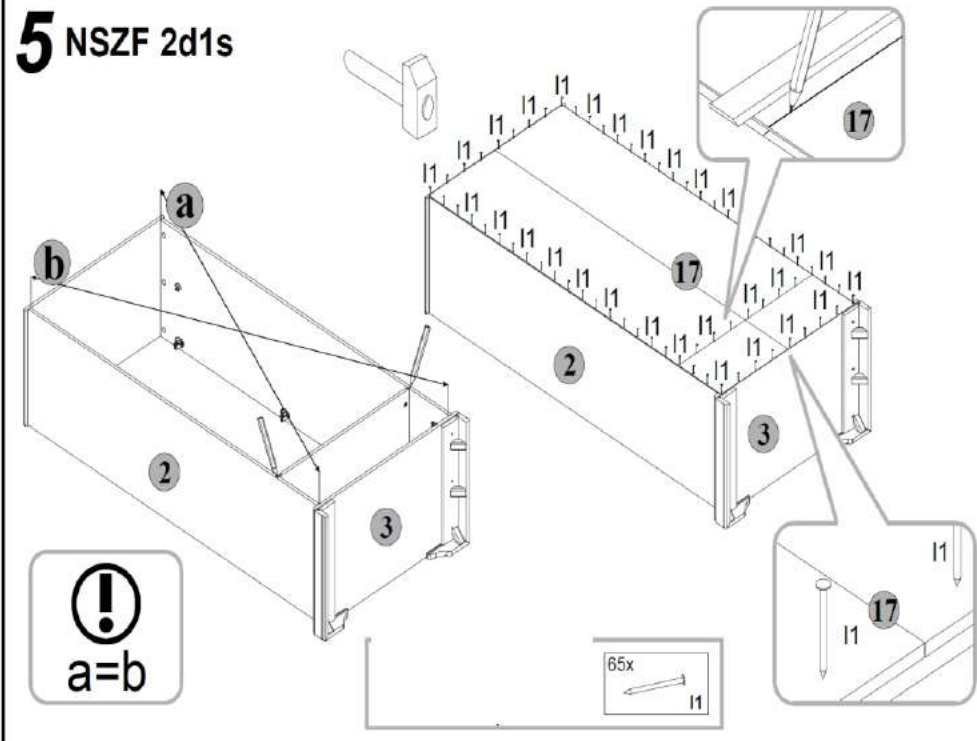
3 NSZF 2d1s



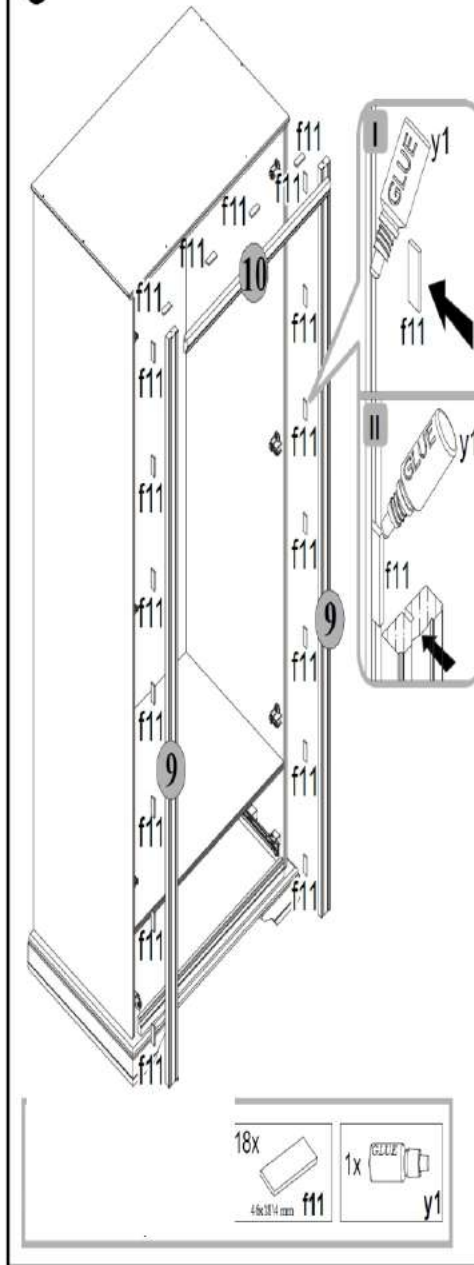
4 NSZF 2d1s



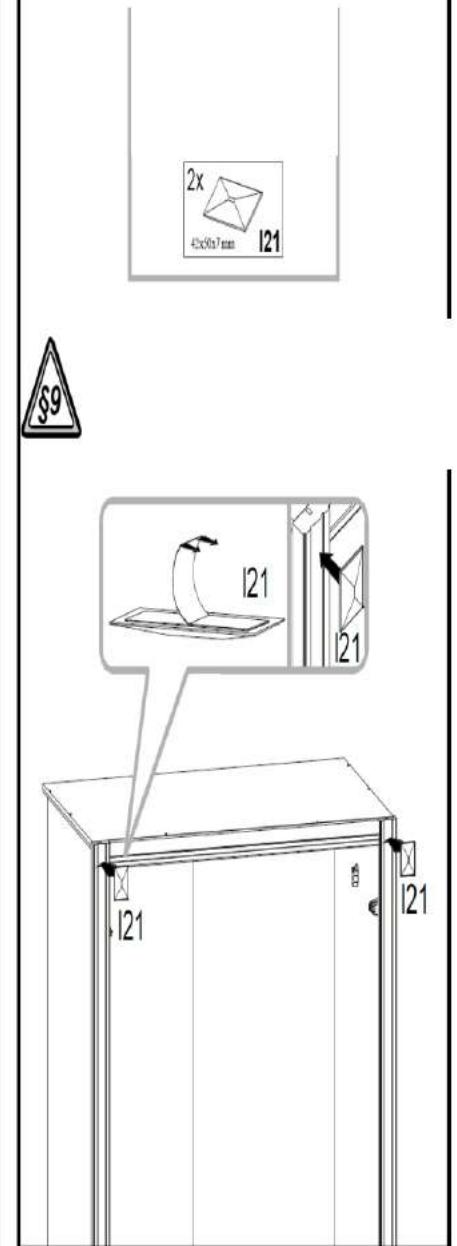
5 NSZF 2d1s



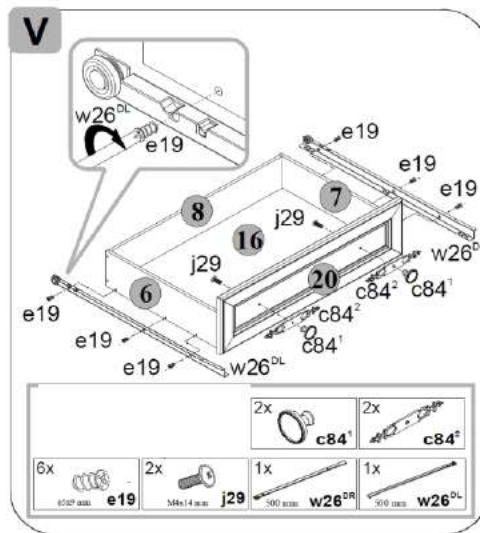
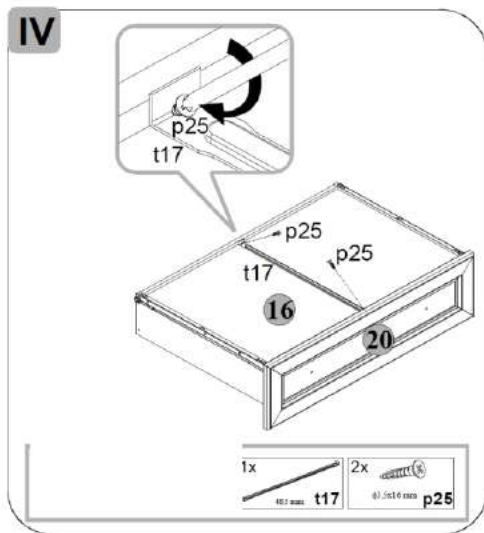
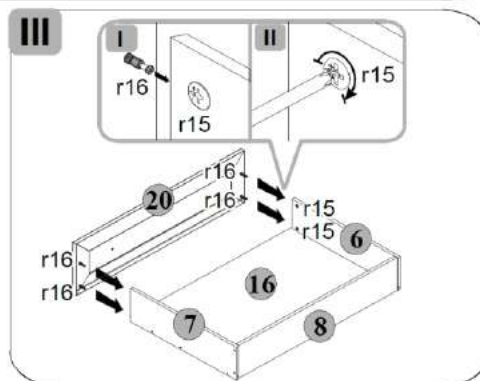
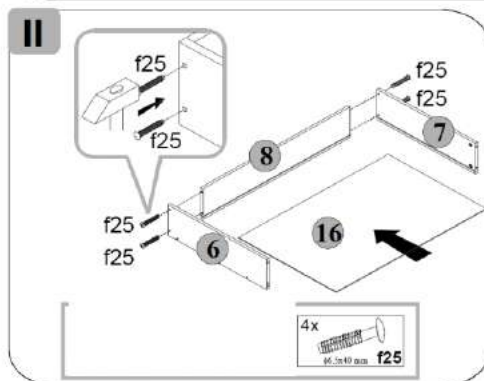
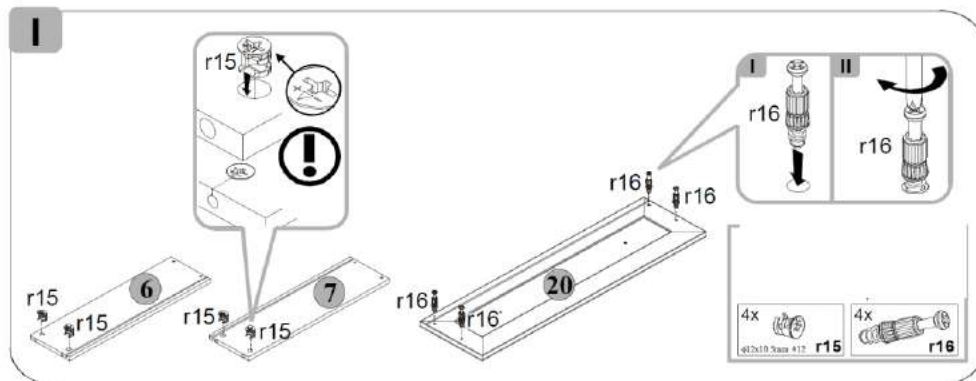
6 NSZF 2d1s



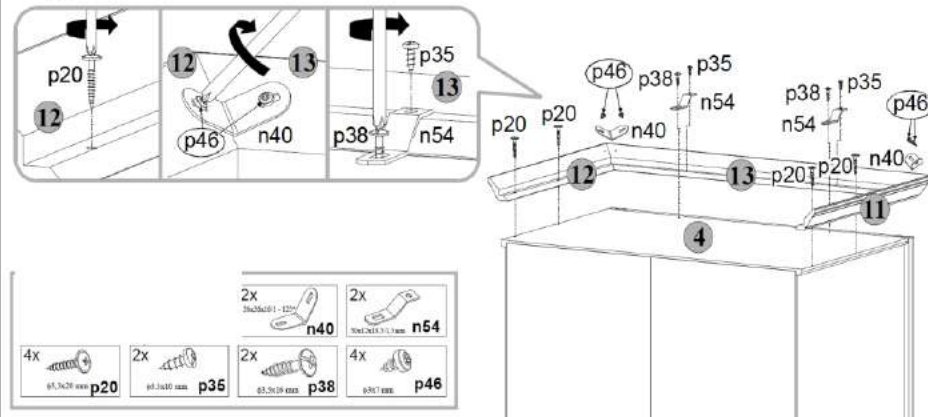
7 NSZF 2d1s



8 NSZF 2d1s



9 NSZF 2d1s



10 NSZF 2d1s

