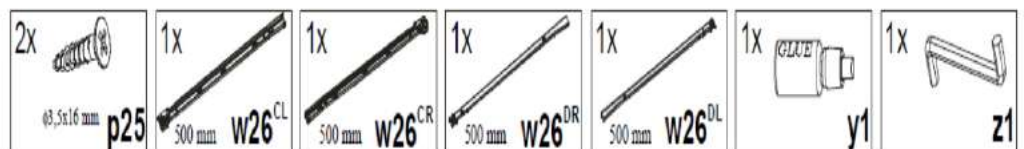
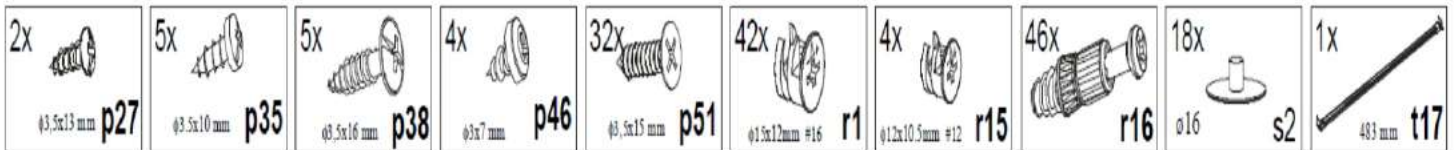
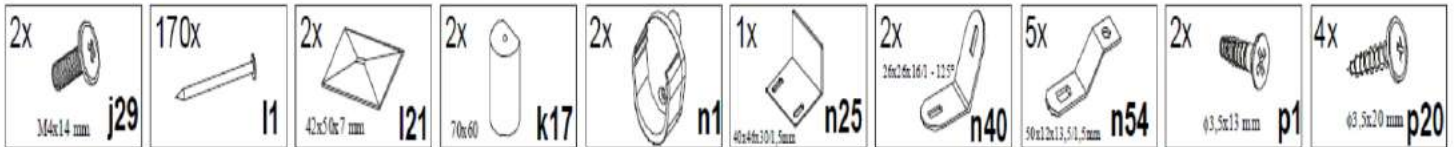
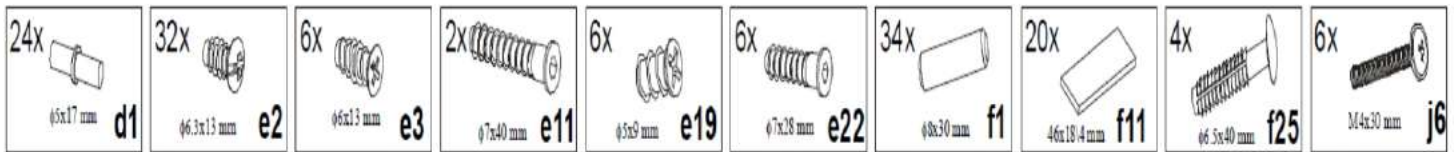
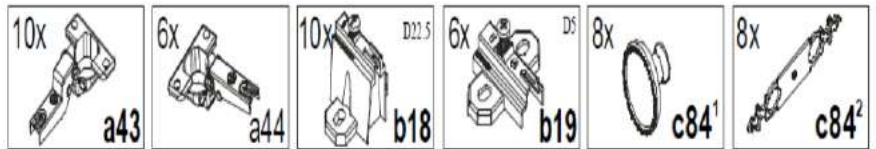
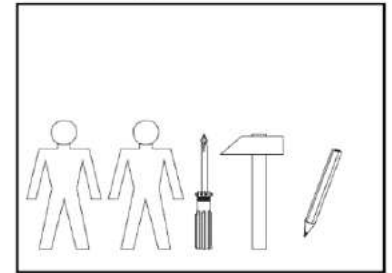
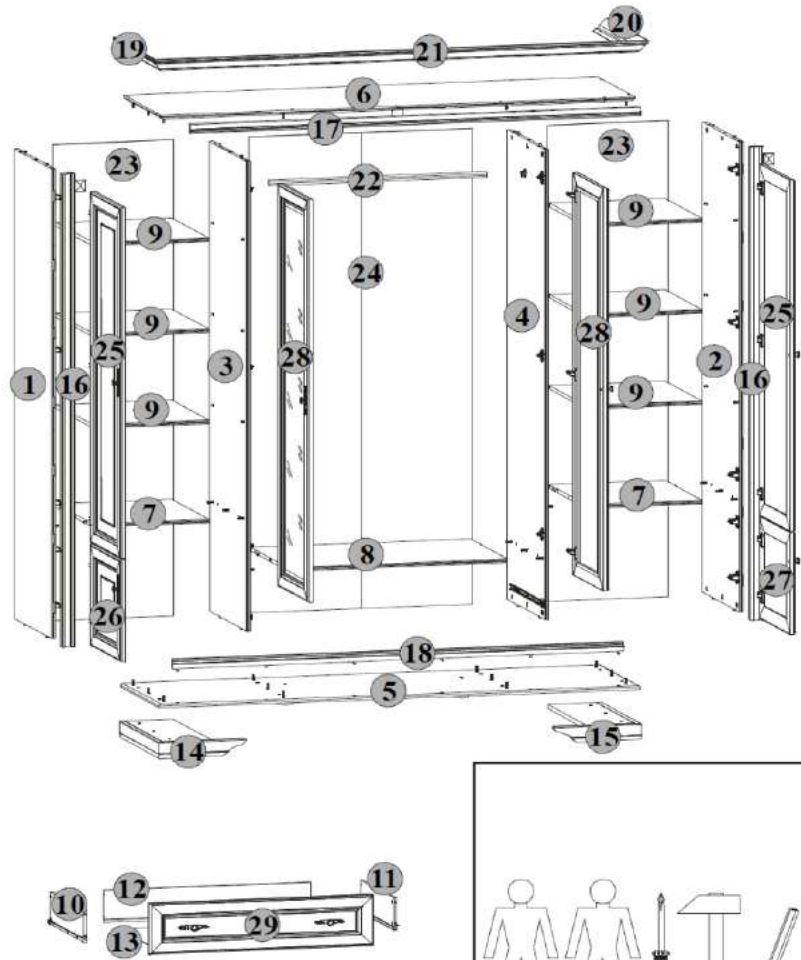


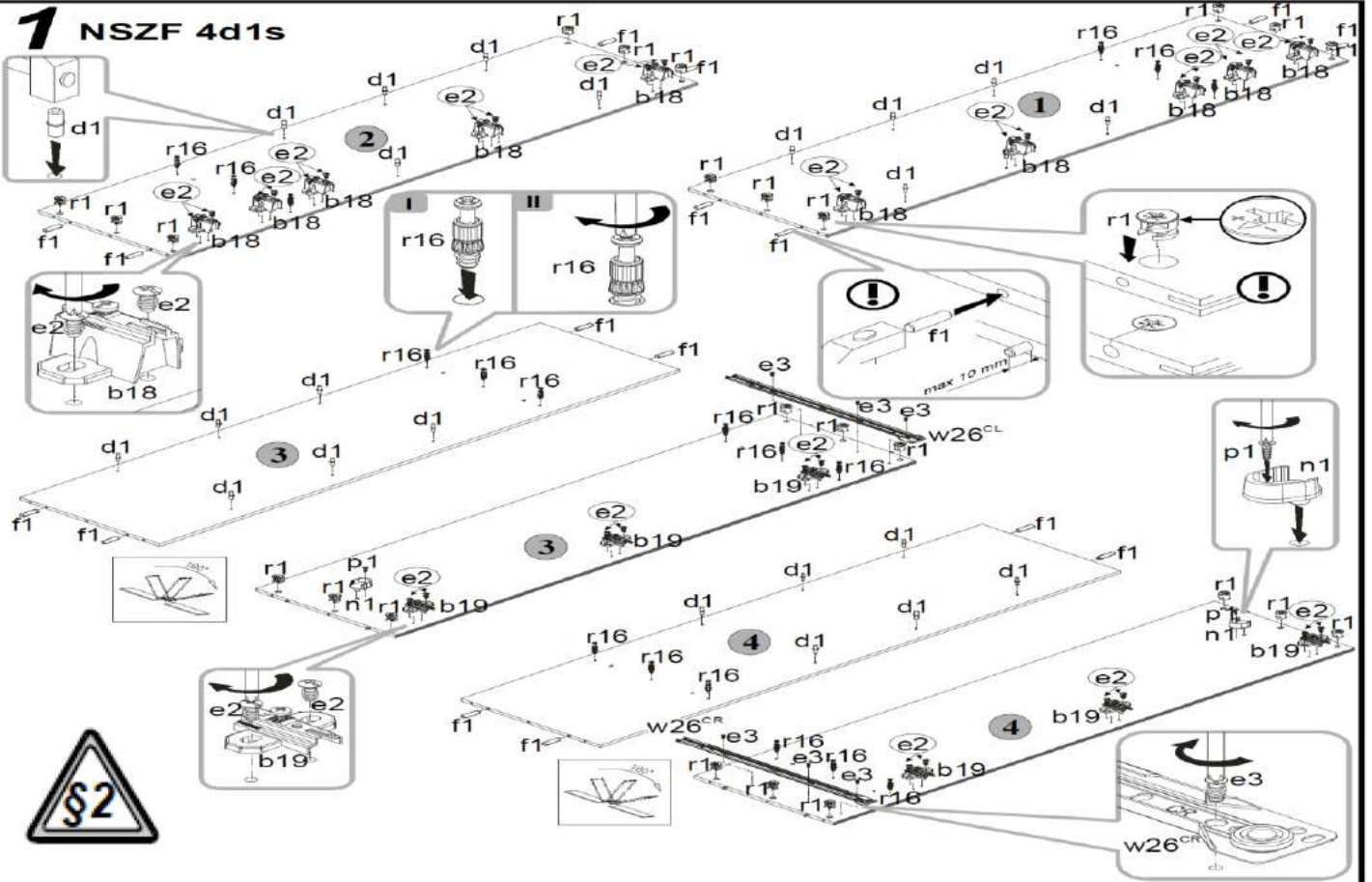
STYLIUS

NSZF 4d1s

A	B	C	D
1	2053x550	S21-127	1/9
2	2053x550	S21-128	1/9
3	2053x550	S21-129	1/9
4	2053x550	S21-130	1/9
5	1920x583	S21-225	3/9
6	1892x550	S21-226	3/9
7	461x550	S21-321	2/9
8	874x550	S21-323	2/9
9	461x549	S21-322	2/9
10	500x140	S21-511	2/9
11	500x140	S21-512	2/9
12	825x140	S21-515	2/9
13	836x498	S21-924	2/9
14	350x587	S21-2587	5/9
15	350x587	S21-2588	5/9
16	2069x50	S21-588	4/9
17	1794x40	S21-587	4/9
18	1794x40	S21-586	4/9
19	609x79	S21-1576	4/9
20	609x79	S21-1577	4/9
21	1967x79	S21-1584	4/9
22	869x30	dr-869	2/9
23	2080x482	S21-925	1/9
24	2080x889	S21-926	1/9
25	1536x446	S21-030	9/9
26	445x446	S21-028	8/9
27	445x446	S21-029	8/9
28	1760x446	S21-027	7/9
29	894x221	S21-026	6/9

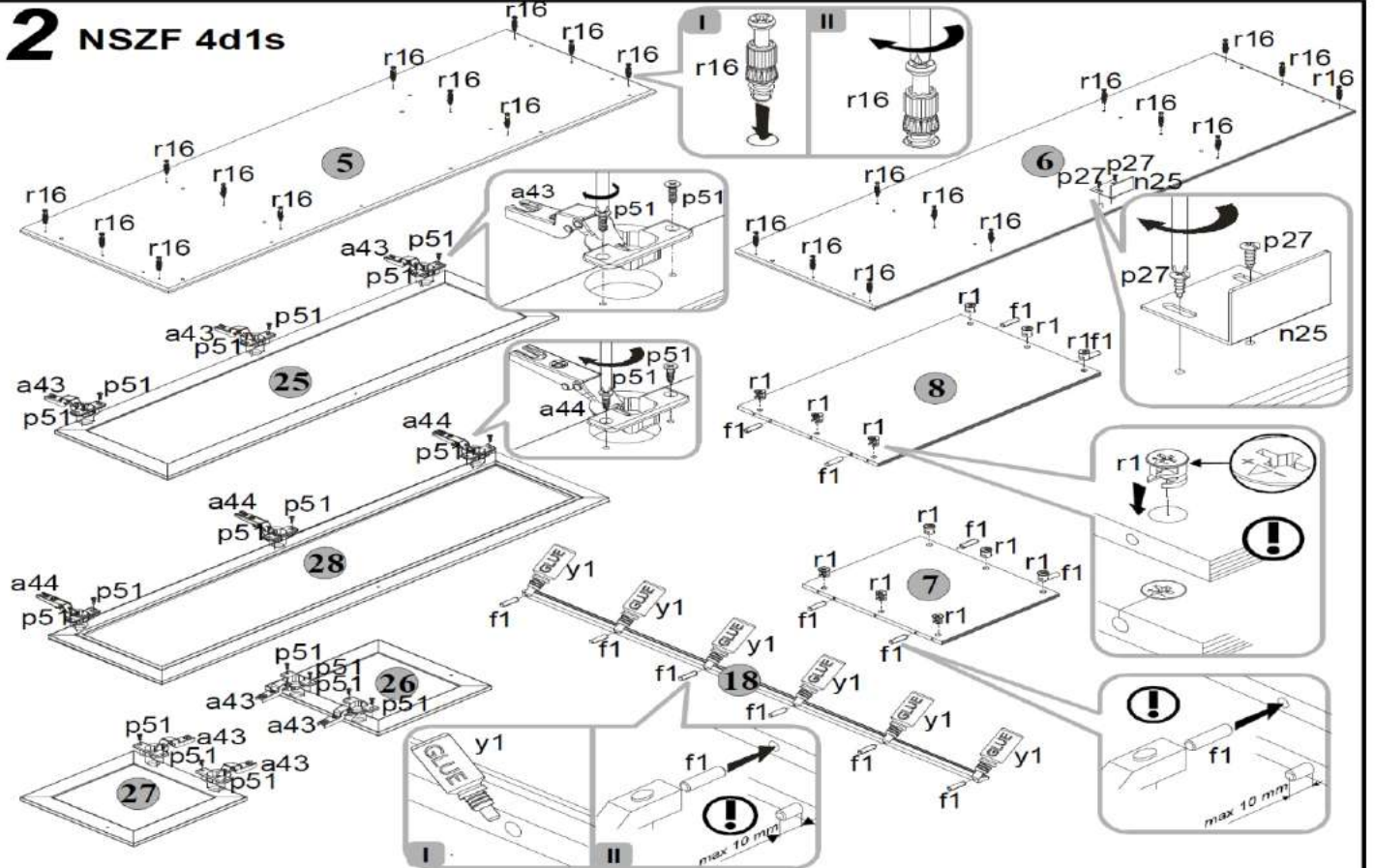


1 NSZF 4d1s

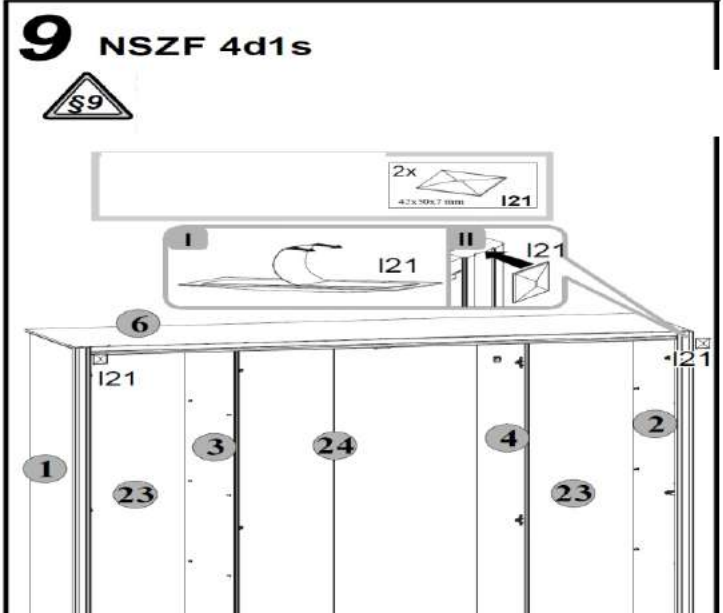
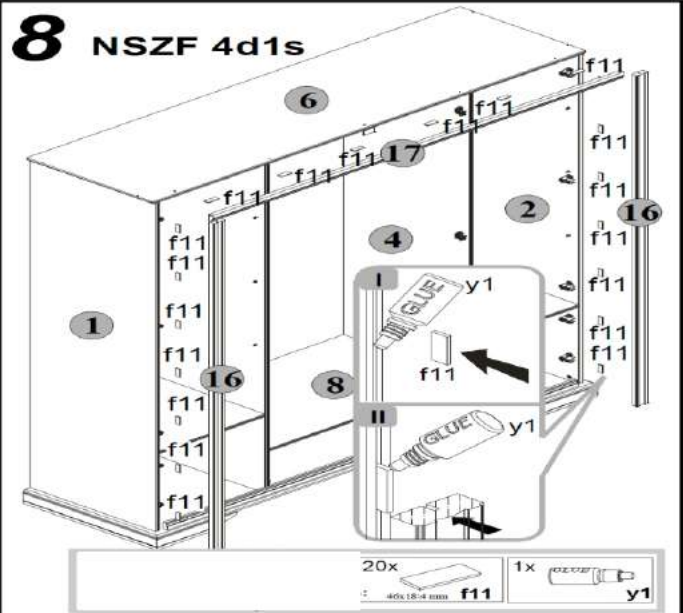
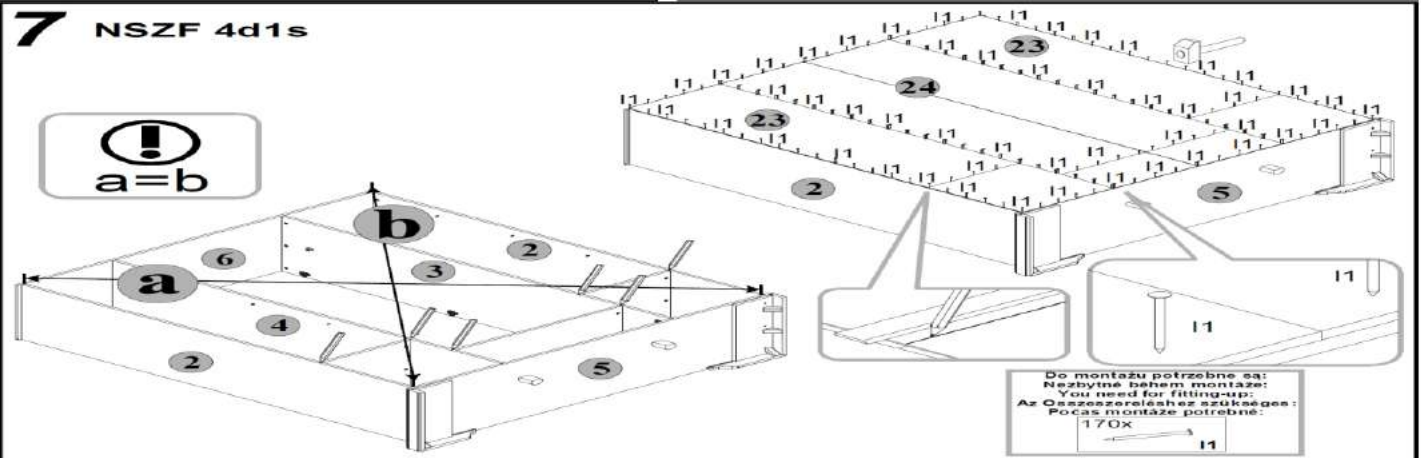
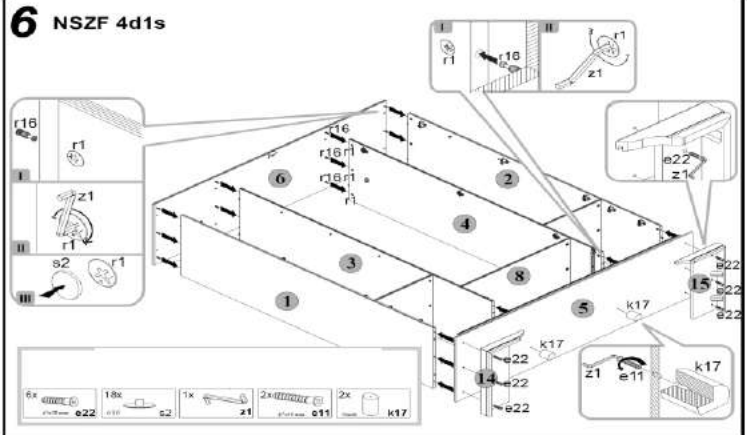
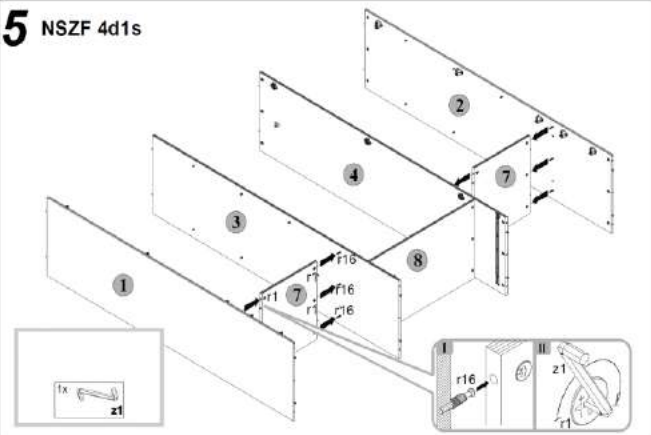
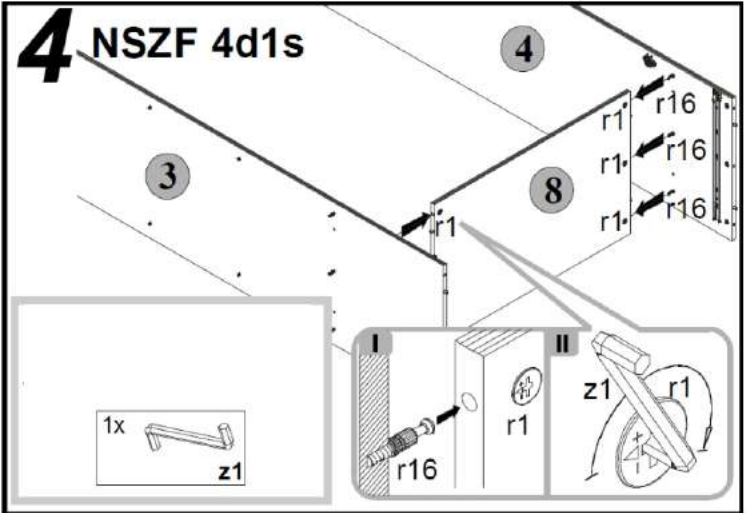
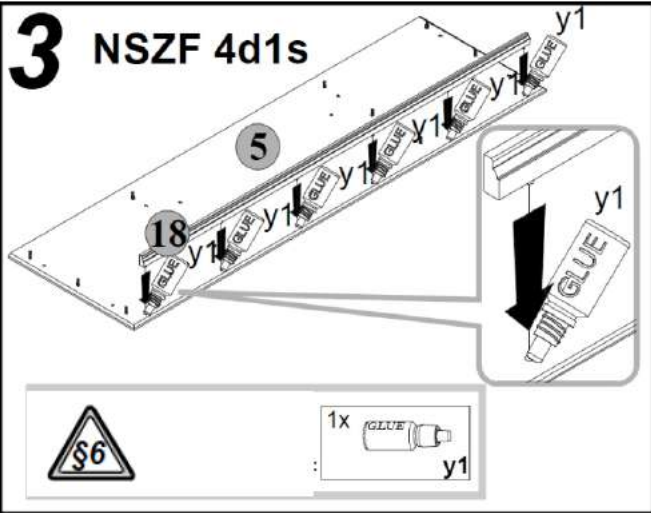


10x D22.5 b18	6x D5 b19	24x Ø5x17 mm d1	32x Ø6.3x13 mm e2	6x Ø6x13 mm e3	16x Ø9x20 mm f1
2x Ø5.5x13 mm n1	2x Ø5.5x13 mm p1	24x Ø1.5x17mm #16 r1	18x Ø3.5x13 mm r16	1x 300 mm w26-CL	1x 300 mm w26-CR

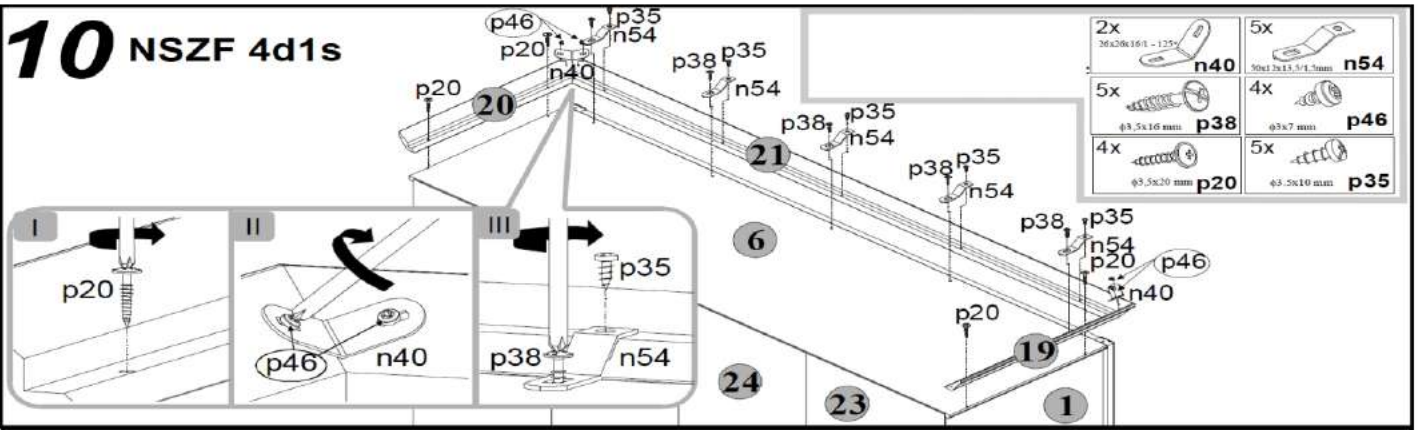
2 NSZF 4d1s



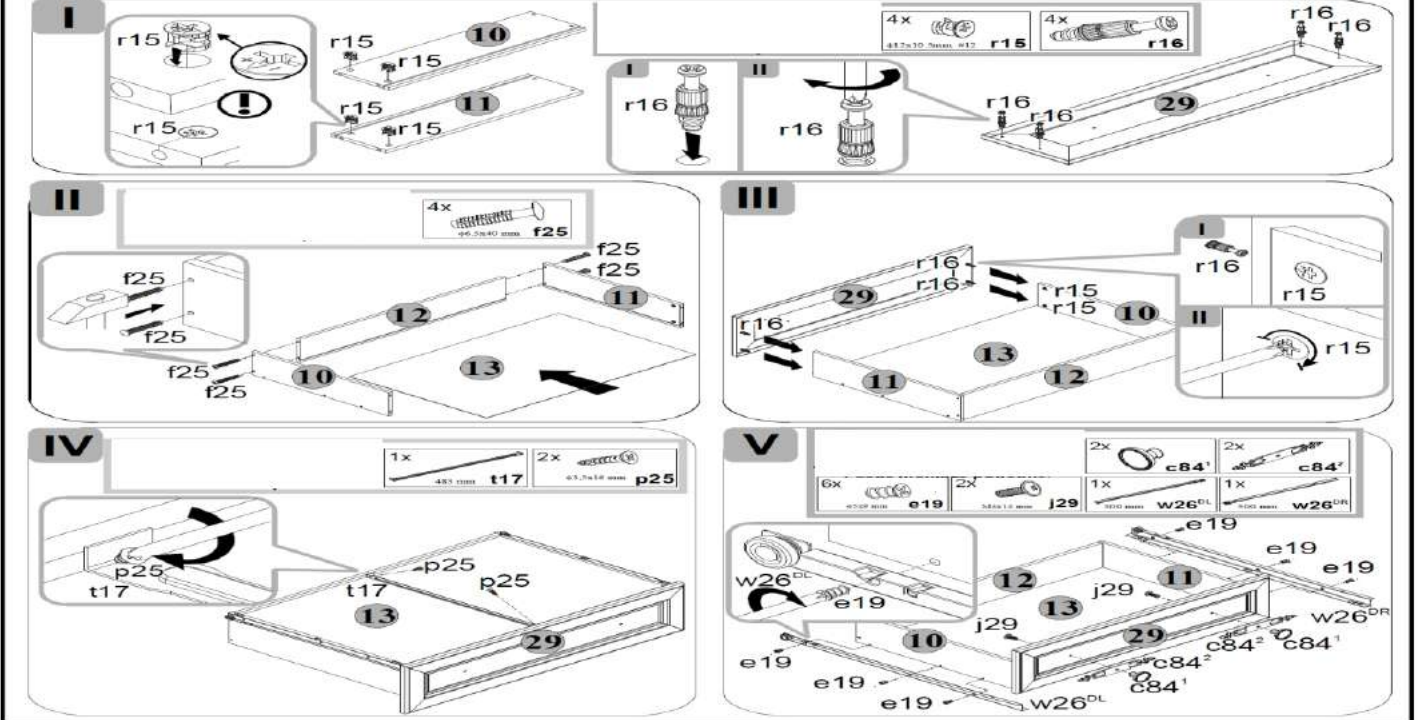
10x Ø5.5x13 mm a43	6x Ø5.5x13 mm a44	18x Ø6x20 mm f1	1x Ø5.5x13 mm n25	2x Ø5.5x13 mm p27	32x Ø3.5x13 mm p51	18x Ø1.5x17mm #16 r1	24x Ø3.5x13 mm r16	1x Ø5.5x13 mm y1
------------------------	-----------------------	---------------------	-----------------------	-----------------------	------------------------	--------------------------	------------------------	----------------------



10 NSZF 4d1s



11 NSZF 4d1s



12 NSZF 4d1s

